



# Product Range



HADDONSTONE



Trusted specialists in the design and manufacture  
of architectural and garden stonework





# Welcome to Haddonstone

Where timeless elegance meets expert craftsmanship.

At Haddonstone, our team takes great pride in handcrafting exquisite cast stone garden, landscape and architectural designs. For over 50 years, our dedication to quality and our unique blend of traditional craftsmanship combined with modern innovation has made Haddonstone a trusted name across the UK and worldwide.

We offer a highly personalised service, ensuring that you receive the very best individual care and attention. So, whether you are choosing a beautiful planter for your garden, or embarking on a major property renovation, our team is always available to offer tailored advice throughout your journey with us.

In this brochure, you will discover fine, British-made designs for your home and garden, whatever your style and the size of your space. You'll also find our extensive range of building and construction components, available in a broad range of standard designs, as well as with the option to create bespoke solutions to meet any project specification.

Whether you are an existing client, or are new to Haddonstone, I hope that you will enjoy exploring our range.

**David Barrow,**  
**Managing Director**





## Home and Garden

Our extensive Home and Garden collection features a wide choice of planters, water features, garden furniture, statuary and sundials. Our range also includes garden buildings, balustrade, paving and steps.

Available in traditional, classical and contemporary styles, and in various sizes and colours, Haddonstone's designs lend themselves to almost any garden scheme, landscape or terrace. Plus, because every design is produced using the finest-grade materials, they are made to last a lifetime.

Create your perfect garden with Haddonstone





## Home and Garden

Traditional Planters	10
Contemporary Planters	34
Pedestals and Plinths	44
Busts and Statues	48
Finials	62
Balls and Bases	66
Sundials	68
Bird Baths and Bird Tables	72
Garden Furniture	74
Centrepiece Fountains	78
Pool Surrounds	84
Garden Lighting	90
Self Contained Fountains	92
Wall Fountains	98
Plaques	104
Lawn Edging	108
Garden Decor and Accents	110
Obelisks	112
Masonry Weathering Tint	114
Personalised Engraving	116
Garden Cremation Memorials	122
Garden Pet Memorials	123
Fireplaces and Interiors	124
Gift Vouchers	130





# Home and Garden Traditional Planters



## Clarence Urn H-A215

This elegant urn, inspired by the designs of the Regency period, has been crafted by Haddonstone as a complementary piece to the Regency and Trafalgar Urns. The simple design has leaf moulding to the rim and gadrooning to the bowl. Identical in proportion to the Large Clarence Urn H-A214, on page 18.

**Height:** 430mm (17")  
**Width at top:** 540mm (21")  
**Width at base:** 242mm (9½")  
**Weight:** 40kg (88 lb)

Recommended pedestals: H-B300, H-B310, H-B331, H-B400, H-B420, H-B440



## West Lodge Urn L-HA780

Featuring gadrooning to the bowl, this elegant small urn was originally replicated for West Lodge Park Hotel in Hertfordshire.

**Height:** 527mm (20¾")  
**Width overall:** 660mm (26")  
**Width at base:** 273mm (10¾")  
**Weight:** 74kg (163 lb)

Recommended pedestals: H-B300, H-B310, H-B400, H-B420, H-B440.



## Croyland Vase H-A245

A small campana-shaped vase featuring a stylised leaf design. This vase was replicated from an original in a private Northamptonshire garden.

**Height:** 500mm (19½")  
**Width at top:** 470mm (18½")  
**Width at base:** 240mm (9½")  
**Weight:** 32kg (70 lb)

Recommended pedestals: H-B300, H-B310, H-B400, H-B420, H-B440.



## Magnolia Vase H-A490

A simple campana-shaped vase with a circular base incorporating acanthus-leaf moulding around the bowl. The original dates back to the XVII century in the style of Christopher Wren.

**Height:** 510mm (20")  
**Width at top:** 395mm (15½")  
**Width at base:** 280mm (11")  
**Weight:** 35kg (77 lb)

Recommended pedestals: H-B300, H-B310, H-B400, H-B420, H-B440.



## Vine Urn H-A705

This charming small urn features vine decoration and gadrooning to the body and overlapping leaf decoration around the rim. Ideal for use in conjunction with Haddonstone balustrading.

**Height:** 430mm (17")  
**Width at top:** 343mm (13½")  
**Width at base:** 197mm (7¾")  
**Weight:** 21kg (45 lb)

Recommended pedestals: H-B300, H-B310, H-B330, H-B400, H-B420, H-B440.



## House of Dun Urn H-A420

Commissioned by the National Trust for Scotland to replace the originals at the House of Dun as part of the major restoration programme. The Trust has since granted permission to include the urn in the Haddonstone Collection.

**Height:** 425mm (16¾")  
**Width at top:** 330mm (13")  
**Width at base:** 195mm (7¾")  
**Weight:** 24kg (53 lb)

Recommended pedestals: H-B130, H-B300, H-B310, H-B330, H-B400, H-B420, H-B440, H-B480.



## Sheraton Vase H-A610

Designed by Haddonstone, this charming vase features gadrooning and fluting to the bowl, enriched around the rim with rods and ribbons in the style of Sheraton. Ideal for interior planting in conservatories and garden rooms.

**Height:** 355mm (14")  
**Width overall:** 395mm (15½")  
**Width at base:** 230mm (9")  
**Weight:** 32kg (70 lb)

Recommended pedestals: H-B300, H-B310, H-B331, H-B400, H-B420, H-B440, H-B480.



## Regency Urn H-A530

### Regency Pedestal H-B330

This popular urn is shown on a simple pedestal and can also enhance balustrading.

**Height of urn:** 380mm (15")  
**Height of pedestal:** 430mm (17")  
**Width at urn top:** 485mm (19")  
**Width at urn base:** 220mm (8¾")  
**Pedestal base width:** 280mm (11")  
**Weight of urn:** 30kg (66 lb)  
**Weight of pedestal:** 33kg (73 lb)

Alternative pedestals: H-B130, H-B300, H-B310, H-B400, H-B420, H-B440, H-B480.



## Trafalgar Urn H-A620

An urn of early XIX century design with egg and dart moulding around the rim and a fluted base. This urn can be used as a decorative ornament on balustrade piers.

**Height:** 430mm (17")  
**Width at top:** 585mm (23")  
**Width at base:** 240mm (9½")  
**Weight:** 48kg (106 lb)

Recommended pedestals: H-B300, H-B310, H-B331, H-B400, H-B420, H-B440.



## Victoria Vase H-A695

An elegant vase with acanthus decoration.

**Height:** 445mm (17½")  
**Width at top:** 535mm (21")  
**Width at base:** 265mm (10½")  
**Weight:** 41kg (90 lb)

Recommended pedestals: H-B300, H-B310, H-B331, H-B400, H-B420, H-B440.



# Home and Garden Traditional Planters



## Gothic Urn and Base H-A370

A Regency-period octagonal urn with single quatrefoil panels mounted on a waisted square base. These impressive urns line the Rose Walk at Lambeth Palace. Gothic Vase (see below), Gothic Jardiniere (page 29) and Large Gothic Jardiniere (page 29) also available.

**Height of urn:** 585mm (23")  
**Height overall:** 745mm (29¼")  
**Width at top of urn:** 620mm (24½")  
**Width at base of urn:** 355mm (14")  
**Width of base:** 485mm (19")  
**Weight overall:** 150kg (330 lb)



## Versailles Vase H-A690

A simple campana-shaped state vase with restrained gadrooning to the bowl. Identical in proportion to the Large Versailles Vase H-A680, see page 19. This design was replicated from a Blashfield original.

**Width at top:** 535mm (21")  
**Width at base:** 255mm (10")  
**Height:** 685mm (27")  
**Weight:** 50kg (110 lb)

Recommended pedestals: H-B255, H-B265, H-B300, H-B310, H-B331, H-B400, H-B420, H-B440.



## Lotus Vase H-A470

An octagonal Regency-style vase with a beautiful lotus-leaf design carved on the vase and base. Replicated from an XIX century Blashfield original.

**Height:** 495mm (19½")  
**Width at top:** 405mm (16")  
**Width at base:** 320mm (12½")  
**Weight:** 40kg (88 lb)



## Wilton Urn H-A760

Reproduced from an original urn standing in the Italian Garden at Wilton House, Salisbury, by kind permission of the Earl of Pembroke.

This urn is suitable for use as a decorative feature on balustrade piers.  
**Height:** 455mm (18")  
**Width at top:** 385mm (15½")  
**Width at base:** 255mm (10")  
**Weight:** 35kg (77 lb)

Recommended pedestals: H-B300, H-B310, H-B400, H-B420, H-B440.



## Ascott Urn H-A180

Originally replicated for the National Trust Ascott estate from a Pulham original, this small urn is adorned with goat heads, the bowl being decorated with a band of nail-head motifs and plain leaf moulding.

**Height:** 455mm (18")  
**Width at top:** 350mm (13¾")  
**Width overall:** 515mm (20¼")  
**Width at base:** 290mm (11½")  
**Weight:** 46kg (100 lb)

Recommended pedestals: H-B255, H-B265, H-B300, H-B310, H-B331, H-B350, H-B400, H-B420, H-B440.



## Gothic Vase H-A380

Regency-style octagonal vase with single quatrefoil panels. Ideal for decorating a terrace. Gothic Urn and Base (see above), Gothic Jardiniere (page 29) and Large Gothic Jardiniere (page 29) also available.

**Height:** 590mm (23¼")  
**Width at top:** 565mm (22¼")  
**Width at base:** 400mm (15¾")  
**Weight:** 70kg (154 lb)



## Etruscan Vase H-A280

The beautiful Etruscan Vase was commissioned by a private client and features a simple campana shape with gadrooning to the bowl and an egg and dart rim.

**Height:** 460mm (18")  
**Width at top:** 420mm (16½")  
**Width at base:** 195mm (7½")  
**Weight:** 19kg (42 lb)

Recommended pedestals: H-B130, H-B300, H-B310, H-B330, H-B400, H-B420, H-B440, H-B480.



## Small Haddo House Urn H-A395

Haddonstone was commissioned by the National Trust for Scotland to replicate these urns. Haddo House is a splendid design by William Adam, built between 1732 and 1735 for William, 2nd Earl of Aberdeen. The campana-shaped urns that adorn the grounds are decorated with restrained gadrooning to the bowl incorporating scrolled handles.

**Height:** 755mm (29¾")  
**Width at top:** 570mm (22½")  
**Width at base:** 305mm (12")  
**Weight:** 68kg (150 lb)

Recommended pedestals: H-B255, H-B265, H-B350.



## Large Haddo House Urn H-A390

Haddonstone was commissioned by the National Trust for Scotland to replicate these urns. Haddo House is a splendid design by William Adam, built between 1732 and 1735 for William, 2nd Earl of Aberdeen. The campana-shaped urns that adorn the grounds are decorated with restrained gadrooning to the bowl incorporating scrolled handles.

**Height:** 885mm (34¾")  
**Width at top:** 650mm (25½")  
**Width at base:** 330mm (13")  
**Weight:** 95kg (209 lb)

Recommended pedestals: H-B255, H-B265, H-B350, H-B370.



## Florentine Urn H-A290

Reproduced from an ornate early XIX century urn acquired from Florence, this design is swathed in a rich vine relief, with gadrooning around the base.

**Height:** 890mm (35")  
**Width at top:** 585mm (23")  
**Width at base:** 335mm (13¼")  
**Weight:** 115kg (253 lb)

Recommended pedestals: H-B255, H-B265, H-B350, H-B370.



# Home and Garden Traditional Planters



## Eastwell Urn H-A260

A large, elegant tazza with elaborately interlaced ribbonwork decoration around the bowl. It can also be supplied in fountain form as a centrepiece (see L-TLC200 on page 83).

**Height:** 595mm (23½")  
**Width at top:** 785mm (31")  
**Width at base:** 350mm (13¾")  
**Weight:** 89kg (195 lb)

Recommended pedestals: H-B255, H-B265, H-B350, H-B370.



## Shugborough Vase H-A585

The Shugborough Vase is a replica of an original we were commissioned to replace at Shugborough Hall. The proportions of this vase allow its use as a decorative ornament to enhance Haddonstone balustrading.

**Height:** 430mm (17")  
**Width at top:** 320mm (12½")  
**Width overall:** 420mm (16½")  
**Width at base:** 215mm (8½")  
**Weight:** 40kg (88 lb)

Recommended pedestals:  
 H-B300, H-B310, H-B330,  
 H-B400, H-B420, H-B440,  
 H-B480.



## Cliveden Vase H-A220

The National Trust commissioned this replica to replace damaged vases at Cliveden, Buckinghamshire.

**Height:** 560mm (22")  
**Width at top:** 415mm (16¼")  
**Width overall:** 520mm (20½")  
**Width at base:** 285mm (11¼")  
**Weight:** 82kg (182 lb)

Recommended pedestals:  
 H-B255, H-B265, H-B331.



## Warwick Castle Urn H-A740

Haddonstone was commissioned by Warwick Castle to reproduce this urn as part of the castle's restoration project for the rose garden.

**Height:** 510mm (20")  
**Width at top:** 405mm (16")  
**Width overall:** 560mm (22")  
**Width at base:** 355mm (14")  
**Weight:** 78kg (173 lb)

Recommended pedestals:  
 H-B255, H-B265, H-B370.



## Hadrian Vase (with handles) H-A405

The Hadrian Vase combines a half-gadrooned bowl with egg-and-dart rim, two scroll and foliate carved handles, a circular socle and square base. The Hadrian Vase is also available without handles, see page 16.

**Height:** 840mm (33")  
**Maximum width:** 970mm (38")  
**Width at base:** 350mm (13¾")  
**Weight:** 171kg (377 lb)

Recommended pedestals:  
 H-B255, H-B265, H-B350.



View our range at [haddonstone.com](http://haddonstone.com)



# Home and Garden Traditional Planters



**Hadrian Vase (without handles)**  
**H-A404**

The Hadrian Vase combines a half-gadrooned bowl with egg and dart rim, a circular socle and square base. The Hadrian Vase is also available with handles, see page 14.

**Height:** 685mm (27")  
**Width at top:** 760mm (30")  
**Width at base:** 350mm (13¾")  
**Weight:** 158kg (348 lb)

Recommended pedestals: H-B255, H-B265, H-B350.



**Westonbirt Urn**  
**H-A755**

Commissioned as a commemoration by the governors of Westonbirt School, Gloucestershire. The original was manufactured by Pulham from a design attributed to the architect Lewis Vulliamy who was active in the early XIX century. This scaled-down version is typical of his style, featuring spiralled gadrooning and egg and dart rim.

**Height:** 650 mm (25½")  
**Width at base:** 380 mm (15¼")  
**Width at top:** 700 mm (27¾")  
**Weight:** 129 kg (284 lb)

Recommended pedestals: H-B255, H-B265, H-B370, H-B450.



**French Urn**  
**H-A320**

A facsimile of a Renaissance campana-shaped urn with medallion and intricate relief of vine leaves. The underside of the bowl and the neck are decorated with acanthus leaves.

**Height:** 650mm (25½")  
**Width at top:** 660mm (26")  
**Width at base:** 330mm (13")  
**Weight:** 96kg (211 lb)

Recommended pedestals: H-B255, H-B265, H-B350, H-B370.



**State Vase (with handles)**  
**H-A600**

This imposing mid-Victorian design has been translated from a cast-iron original and is available with or without handles.

**Height:** 785mm (31")  
**Width at top:** 560mm (22")  
**Width at base:** 300mm (11¾")  
**Weight:** 81kg (179 lb)

Recommended pedestals: H-B255, H-B265, H-B350, H-B370.



**State Vase (without handles)**  
**H-A590**

This imposing mid-Victorian design has been translated from a cast-iron original and is available with or without handles.

**Height:** 785mm (31")  
**Width at top:** 560mm (22")  
**Width at base:** 300mm (11¾")  
**Weight:** 81kg (179 lb)

Recommended pedestals: H-B255, H-B265, H-B350, H-B370.



**Zahra Vase**  
**H-A790**

The abstract pattern of this vase with stylised Ashoka buds, tendrils and leaf nodes results from a cultural blend of Islamic and Indian traditions.

**Height:** 660mm (26")  
**Width at top:** 580mm (22¾")  
**Width at base:** 430mm (17")  
**Weight:** 120kg (264 lb)



**Winslow Vase**  
**L-TLA770**

An unusual design with fluted decoration and leaf mouldings. Its elegant proportions make it ideal for entrances and walkways.

**Height of vase:** 865mm (34")  
**Height of pedestal:** 205mm (8")  
**Width at vase top:** 620mm (24½")  
**Width at vase base:** 300mm (11¾")  
**Pedestal top width:** 355mm (14")  
**Pedestal base width:** 525mm (20¾")  
**Weight of vase:** 91kg (200 lb)  
**Weight of pedestal:** 57kg (125 lb)

Alternative pedestals: H-B255, H-B265, L-TLB370.



**Swagged Adam Vase**  
**H-A605**

Adapted from Haddonstone's popular finial, see page 62, the Swagged Adam Vase is a stylish planter featuring drapery swags.

**Height:** 530mm (20⅞")  
**Width overall:** 495mm (19½")  
**Width at base:** 229mm (9")  
**Weight:** 50kg (110 lb)

Recommended pedestals: H-B420, H-B440, H-B490, H-B495.



**Ionian Vase**  
**H-A425**

The classically-inspired Ionian Vase, which has been designed in the Greek Revival style, features a ribbed neck with a gadrooned bowl, palmette band and an egg and dart rim. Complements the Ionian Jardinière, see page 26.

**Height:** 845 mm (33¼")  
**Width at base:** 270 mm (10⅝")  
**Width at top:** 500 mm (19¾")  
**Weight:** 104 kg (229 lb)

Recommended pedestals: H-B255, H-B265, H-B331.



**Tatham Tazza**  
**H-Q998**

The Coade original for this fine design dates from c1812 and is known as the Tatham Tazza after Charles Heathcote Tatham (1772-1842), an architect of considerable repute who studied in Italy.

**Height:** 660mm (26")  
**Width at top:** 890mm (35")  
**Width at base:** 460mm (18½")  
**Weight:** 127kg (280 lb)

Recommended pedestals: H-B120, H-B360.



# Home and Garden Traditional Planters



## Jubilee Urn H-A440

To commemorate the occasion of our Silver Jubilee in 1996, Haddonstone produced a Jubilee Urn inspired by James Blashfield's XIX century artificial stone tazza. A special limited edition of twenty-five was launched at the Chelsea Flower Show. A standard edition is now part of the Haddonstone Collection.

**Height:** 775mm (29¾")  
**Width at top:** 810mm (32")  
**Width at base:** 330mm (13")  
**Weight:** 145kg (319 lb)

Recommended pedestals: H-B120, H-B255, H-B265, H-B350.



## Fontainebleau Urn H-A300

This elegant urn is a replica of an XVIII century marble original. It is also available as a fountain centrepiece (see L-C230, on page 83).

**Height:** 635mm (25")  
**Width at top:** 915mm (36")  
**Width at base:** 470mm (18½")  
**Weight:** 166kg (366 lb)

Recommended pedestals: H-B120, H-B360.



## Large Clarence Urn H-A214

An elegant Regency-style urn, identical in proportion to the Clarence Urn H-A215, see page 10.

**Height:** 605mm (23¾")  
**Width at top:** 780mm (30¾")  
**Width at base:** 350mm (13¾")  
**Weight:** 104kg (229 lb)

Recommended pedestals: H-B255, H-B265.



## Waterloo Urn H-A750

A large, imposing urn in classical form with deep gadrooning. Stockport Borough Council commissioned Haddonstone to produce a series of Waterloo Urns to line the terraces at Lyme Hall, Cheshire.

**Height:** 760mm (30")  
**Width at top:** 785mm (31")  
**Width at base:** 535mm (21")  
**Weight:** 205kg (452 lb)

Recommended pedestal: H-B120.



## Orleans Bowl H-A485

A large, stylish planter adapted from the Fontainebleau Urn H-A300 (see opposite).

**Height:** 425mm (16¾")  
**Width at top:** 915mm (36")  
**Width at base:** 470mm (18½")  
**Weight:** 161kg (354 lbs)

Recommended pedestal: H-B120.



## Large Orleans Bowl H-A487

A larger version of the Orleans Bowl.

**Height:** 600mm (23¾")  
**Width at top:** 1200mm (47¼")  
**Width at base:** 616mm (24¼")  
**Weight:** 258kg (568 lbs)

Recommended pedestal: H-B122 (see opposite).

Please note: requires mechanical lifting on site in all instances.



## Large Fontainebleau Urn H-A302

A large, elegant urn based on the existing Fontainebleau Urn H-A300 (see above) which was replicated from an XVIII century marble original.

**Height:** 832mm (32¾")  
**Width at top:** 1200mm (47¼")  
**Width at base:** 616mm (24¼")  
**Weight:** 411kg (905 lbs)

Recommended pedestal: H-B122.

Please note: requires mechanical lifting on site in all instances.

## Large Georgian Pedestal H-B122

Large and imposing pedestal with deep recessed mouldings based on the existing Georgian Pedestal (see page 44).

**Height:** 1123mm (44¼")  
**Width at cap:** 964mm (38")  
**Width at base:** 918mm (36½")  
**Weight:** 950kg (2093 lbs)

Please note: requires mechanical lifting on site in all instances.



## Large Versailles Vase H-A680

A handsome campana-shaped vase with gadrooning to the bowl. Identical in proportion to Versailles Vase H-A690 (see page 13).

**Height:** 1065mm (42")  
**Width at top:** 785mm (31")  
**Width at base:** 380mm (15")  
**Weight:** 179kg (395 lb)

Recommended pedestals: H-B120, H-B370.



## Campana Vase H-A212

The campana-shaped bowl features stylised acanthus leaf decoration.

**Height:** 1035mm (40¾")  
**Width at top:** 755mm (29¾")  
**Width at base:** 460mm (18½")  
**Weight:** 187kg (412 lb)

Recommended pedestal: H-B120.



# Home and Garden Traditional Planters

The Heritage garden planter range combines elegance and tradition, perfect for entranceways, gardens, terraces and patios.



## Heritage Planter - Medium L-TLA973

**Height:** 410mm (16½")  
**Base width:** 435mm (17½")  
**Weight:** 44kg (97 lb)

## Heritage Planter - Large L-TLA974

**Height:** 495mm (19½")  
**Base width:** 530mm (20¾")  
**Weight:** 78kg (172 lb)

## Heritage Planter - Small L-TLA972

**Height:** 320mm (12⅝")  
**Base width:** 335mm (13¼")  
**Weight:** 26kg (57 lb)



## Heritage Planter - Extra Large L-TLA975

**Height:** 600mm (23¾")  
**Base width:** 640mm (13¼")  
**Weight:** 115kg (253½ lb)



## Heritage Planter - Round L-TLA978

**Height:** 465mm (18¼")  
**Diameter:** 510mm (20")  
**Weight:** 51kg (112 lb)



## Heritage Trough L-TLA977

Our Heritage garden planter range combines elegance and style. This attractive trough is perfect for placing under windows, at entrance ways, or on terraces and patios.

**Height:** 410mm (16")  
**Length:** 996mm (39")  
**Width:** 440mm (17")  
**Weight:** 93kg (205 lb)



## Elizabethan Box H-A265

An alternative shape designed to complement our Small Elizabethan Jardiniere (see page 22) with the attractive strapwork decoration that has become so popular.

**Height:** 345mm (13⅝")  
**Width at top:** 470mm (18½")  
**Width at base:** 300mm (11¾")  
**Weight:** 49kg (108 lb)



## Haddonstone Box H-A400

A design composed of bouquets of flowers with ribbon and knot detail.

**Height:** 420mm (16½")  
**Width:** 420mm (16½")  
**Weight:** 71kg (156 lb)



# Home and Garden Traditional Planters



**Small Tudor Jardiniere  
H-A625**

In response to requests from our clients for a smaller jardiniere, we introduced this design to the range which complements the popular original Haddonstone design and is ideal for interior planting in conservatories and garden rooms.

**Height:** 290mm (11½")  
**Width at top:** 395mm (15½")  
**Width at base:** 245mm (9¾")  
**Weight:** 26kg (57 lb)

**Tudor Jardiniere  
H-A630**

An interwoven strapwork design with rope decoration around the rim and foot. This jardiniere is designed for placing on walls and piers as well as at ground level.

**Height:** 380mm (15")  
**Width at top:** 535mm (21")  
**Width at base:** 360mm (14¼")  
**Weight:** 38kg (84 lb)



**Small Elizabethan Jardiniere  
H-A275**

The attractive strapwork decoration on this design complements the popular Elizabethan Jardiniere. Also, the Elizabethan Box (see page 21).

**Height:** 345mm (13⅝")  
**Width at top:** 470mm (18½")  
**Width at base:** 300mm (11¾")  
**Weight:** 41kg (90 lb)

**Elizabethan Jardiniere  
H-A270**

A versatile container which complements a traditional or contemporary setting.

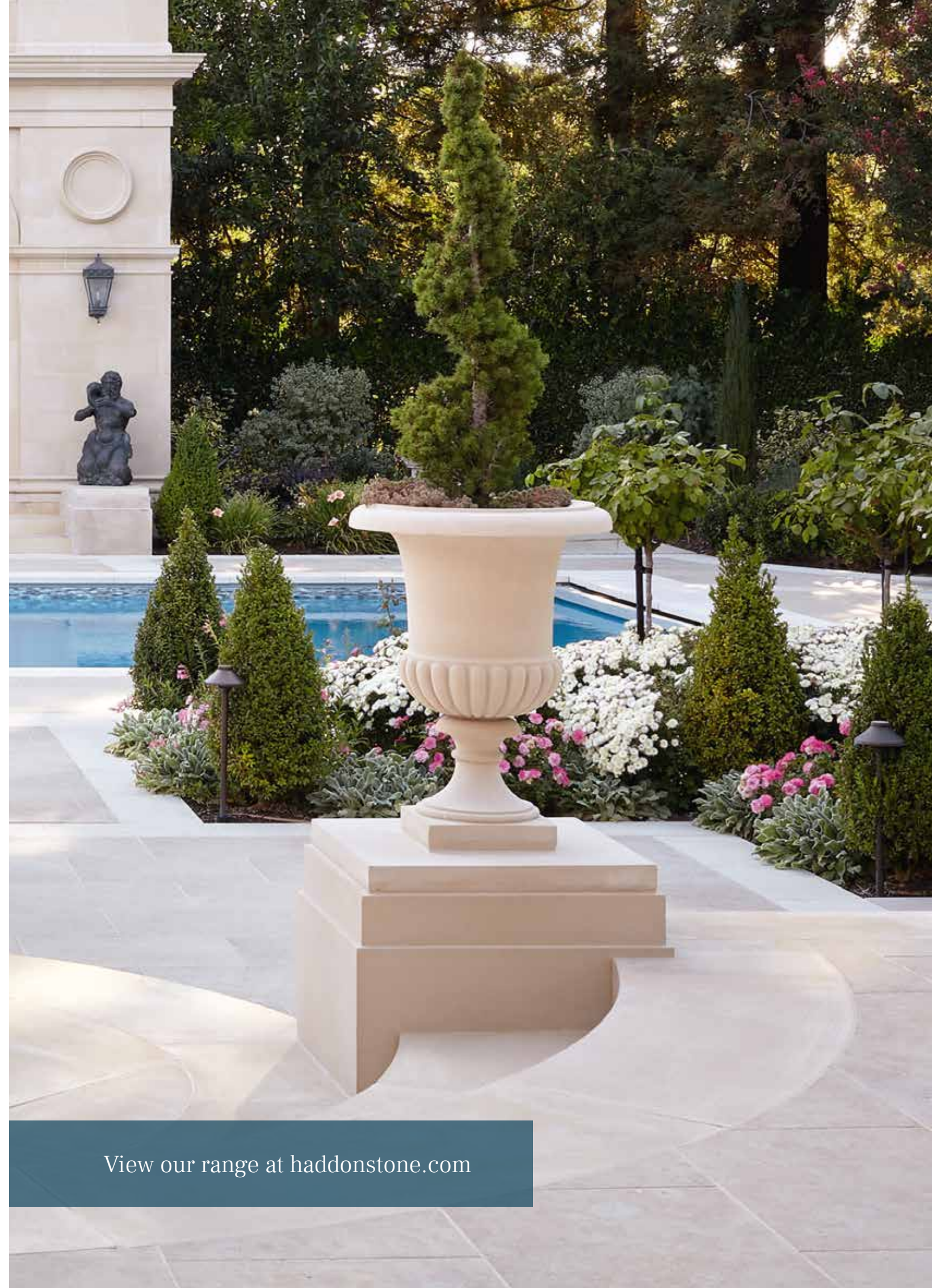
**Height:** 470mm (18½")  
**Width at top:** 660mm (26")  
**Width at base:** 430mm (17")  
**Weight:** 79kg (175 lb)



**Large Elizabethan Jardiniere  
H-A272**

Created following numerous requests from clients, this version of the popular Elizabethan Jardiniere design provides an excellent planting capacity.

**Height:** 610mm (24")  
**Width at top:** 825mm (32½")  
**Width at base:** 510mm (20")  
**Weight:** 112kg (247 lb)



View our range at [haddonstone.com](http://haddonstone.com)



# Home and Garden Traditional Planters



**Small Scrolled Jardiniere  
H-A575**

Haddonstone introduced this jardiniere as a complementary design to the popular Haddonstone Scrolled Jardiniere. Illustrated in our terracotta colour.

**Height:** 360mm (14¼")  
**Width overall:** 440mm (17¼")  
**Width at base:** 203mm (8")  
**Weight:** 46kg (101 lb)

**Scrolled Jardiniere  
H-A580**

Taken from a design by Mary Watts (1849-1938) for the Compton Potters' Arts Guild, this simple and attractive jardiniere was previously attributed to Gertrude Jekyll – a great admirer of Mary Watts and her contribution to the Arts and Crafts movement. Shown here in our terracotta colour.

**Height:** 485mm (19")  
**Width overall:** 595mm (23½")  
**Width at base:** 280mm (11")  
**Weight:** 95kg (209 lb)



**Herculean Bowl  
L-HA385**

The Herculean Bowl - an impressively large jardiniere which will make an impact in any setting. The design features festoons of fruit including pears, plums and grapes, bound together with ribbons and swags.

**Height:** 1000mm (39¾")  
**Width overall:** 1200mm (47¼")  
**Width at base:** 600mm (23¾")  
**Weight:** 340kg (749 lb)

Please note: will require mechanical lifting on site in all instances.



**Spartan Bowl  
L-HA615**

Adapted from the Herculean Bowl, this massive planter features elegant lines and bold mouldings.

**Height:** 1000mm (39¾")  
**Width overall:** 1200mm (47¼")  
**Width at base:** 600mm (23¾")  
**Weight:** 340kg (749 lb)

Please note: will require mechanical lifting on site in all instances.



**Roman Vase  
L-TLHA540**

This Italian vase with simple circular mouldings is suitable for large and small plantings.

**Height:** 485mm (19")  
**Width at top:** 610mm (24")  
**Width at base:** 265mm (10½")  
**Weight:** 38kg (84 lb)



**Large Roman Vase  
L-TLHA545**

Complementing the standard Roman Vase is this taller example, which also features simple circular mouldings.

**Height:** 815mm (32")  
**Width at top:** 790mm (31")  
**Width at base:** 390mm (15½")  
**Weight:** 110kg (242 lb)

**Small Roman Jardiniere  
H-A534**

Simple lines and good proportions are the features of this Haddonstone design, which is ideal for topiary box or bay.

**Height:** 380mm (15")  
**Width overall:** 430mm (17")  
**Width at base:** 203mm (8")  
**Weight:** 55kg (121 lb)

**Roman Jardiniere  
H-A535**

Identical in proportion to the Small Roman Jardiniere. Suitable for either traditional or contemporary gardens and landscapes.

**Height:** 515mm (20¼")  
**Width overall:** 565mm (22¼")  
**Width at base:** 280mm (11")  
**Weight:** 109kg (240 lb)



**Compton Bowl (left)  
H-A225**

Suitable for either traditional or contemporary gardens, this simple and attractive bowl is adapted from the Poppy Bowl, based upon a design by Mary Watts (1849-1938) for the Compton Potters' Arts Guild.

**Height:** 535mm (21")  
**Width at top:** 710mm (28")  
**Width at base:** 320mm (12½")  
**Weight:** 94kg (207 lb)

**Poppy Bowl (right)  
H-A525**

Based upon a design by Mary Watts (1849-1938) for the Compton Potters' Arts Guild, this versatile bowl is ideal for terraces and patios. This design reflects the style of the Arts and Crafts movement.

**Height:** 535mm (21")  
**Width at top:** 710mm (28")  
**Width at base:** 320mm (12½")  
**Weight:** 100kg (220 lb)



# Home and Garden Traditional Planters



**Gothic Basket**  
H-A330

A neo-Gothic-style basket with interlaced strapwork and acanthus-leaf moulding around the base. The rim is decorated with leaf and ribbon moulding.

**Height:** 413mm (16¼")  
**Width at top:** 622mm (24½")  
**Width at base:** 387mm (15¼")  
**Weight:** 56kg (123 lb)



**Large Gothic Basket**  
H-A335

The Large Gothic Basket design is a taller version of Haddonstone's popular Gothic Basket. First created as a bespoke design for a private client, this planter is ideal for enhancing terraces, patios and garden rooms.

**Height:** 647mm (25½")  
**Width at top:** 762mm (30")  
**Width at base:** 450mm (17¾")  
**Weight:** 145kg (319 lb)



**Ionian Jardiniere**  
H-A424

This design has been created by Haddonstone in the Greek Revival style. The jardiniere features a palmette around a cylindrical form.

**Height:** 510mm (20⅝")  
**Width at top:** 500mm (19¾")  
**Weight:** 93kg (205 lb)



**Festooned Jardiniere**  
H-A284

A bold design created by Haddonstone featuring festoons of fruit bound together with ribbons in the classical style.

**Height:** 565mm (22¼")  
**Width at top:** 520mm (20½")  
**Width at base:** 400mm (15¾")  
**Weight:** 84kg (185 lb)



**Kensington Bowl**  
H-A450

This large and versatile twelve-sided planter features an entwined hop design around the bowl.

**Height:** 405mm (16")  
**Width:** 735mm (29")  
**Width at base:** 455mm (18")  
**Weight:** 102kg (226 lb)



**Maidford Bowl**  
H-A480

This versatile design by Haddonstone, in the style of James Gibbs, has a fluted bowl with stylised leaf moulding to the rim and base.

**Height:** 280mm (11")  
**Width overall:** 600mm (23⅝")  
**Width at base:** 343mm (13½")  
**Weight:** 46kg (101 lb)



**Marlborough Bowl**  
H-A495

In the style of a Greek kylix, this elegant bowl is a Haddonstone design featuring a square base with gadrooning to the bowl.

**Height:** 365mm (14⅜")  
**Width overall:** 600mm (23⅝")  
**Width at base:** 330mm (13")  
**Weight:** 72kg (159 lb)

Recommended pedestals: H-B255, H-B265, H-B350.



**Byzantine Bowl**  
H-A210

Replicated from a Verona marble bowl of Byzantine design. Within foliate borders, it is decorated with four oval panels featuring stylised mythological creatures. These panels are divided by ornate strapwork.

**Height:** 440mm (17½")  
**Width:** 530mm (21")  
**Width at base:** 280mm (11")  
**Weight:** 78kg (172 lb)



**Romanesque Bowl**  
L-TLHA550

An extremely useful bowl featuring Romanesque coin-moulding motifs in a band around the rim. It is also available as two freestanding fountains (see page 92).

**Height:** 330mm (13")  
**Diameter:** 815mm (32")  
**Width at base:** 435mm (17⅞")  
**Weight:** 62kg (137 lb)

Recommended pedestal: L-TLB500.



**Chimney Pot Planter**  
L-HA217

Haddonstone replicated this intriguing chimney pot design for a restoration project. Now available as the Chimney Pot Planter, this rustic piece sits perfectly in both cottage and urban gardens. Designed without a base, the planter allows roots to reach the underlying soil.

**Height:** 557mm (21¾")  
**Length at top:** 343mm (13½")  
**Length at base:** 370mm (14⅝")  
**Width at top:** 305mm (12")  
**Width at base:** 298mm (11¾")  
**Weight:** 20kg (44 lb)



**Andalus Jardiniere**  
L-A150

An Arabesque design. The twelve-sided bowl displays an hexagonal decoration, whilst the hexagonal base features a twelve-sided decoration. Also available is the freestanding Andalus Fountain L-HC100, see page 94.

**Height:** 770mm (30¼")  
**Width at rim:** 725mm (28½")  
**Width at base:** 560mm (22")  
**Weight:** 171kg (377 lb)



**Well Head**  
H-C600

This highly decorative well head takes the form of a Corinthian capital. Shown with wrought-iron Overthrow, WA900.

**Height:** 900mm (35½")  
**Width at top:** 1000mm (39¼")  
**Width at base:** 850mm (33½")  
**Weight:** 352kg (776 lb)



# Home and Garden Traditional Planters



**Corredo Jardiniere**  
H-A230  
**Corredo Jardiniere Plinth**  
H-A240

The original of this imposing Italian planter bearing two armorial devices was probably a dowry gift in the XVI century. Available with plinth.

**Jardiniere height:** 635mm (25")  
**Jardiniere width:** 860mm (33<sup>7</sup>/<sub>8</sub>")  
**Jardiniere base:** 450mm (17<sup>3</sup>/<sub>4</sub>")  
**Jardiniere weight:** 153kg (337 lb)  
**Plinth height:** 172mm (6<sup>3</sup>/<sub>4</sub>")  
**Plinth width:** 660mm (26")  
**Plinth weight:** 77kg (170 lb)



**Italian Jardiniere**  
H-A430

A versatile jardiniere with stylised floral decoration with rope moulding around the rim and foot.

**Height:** 405mm (16")  
**Width at top:** 630mm (24<sup>3</sup>/<sub>4</sub>")  
**Width at base:** 495mm (19<sup>1</sup>/<sub>2</sub>")  
**Weight:** 73kg (161 lb)



**Large Italian Jardiniere**  
T-HA435

This large jardiniere complements the popular existing Italian Jardiniere design.

**Height:** 760mm (30")  
**Width at top:** 1015mm (40")  
**Width at base:** 790mm (31<sup>1</sup>/<sub>8</sub>")  
**Weight:** 400kg (881 lb)

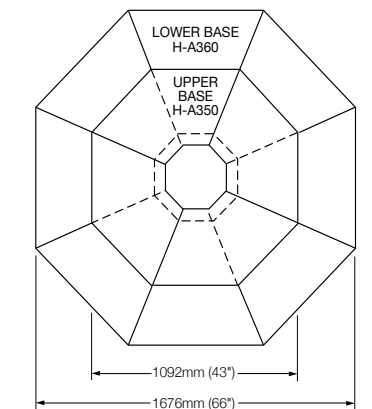
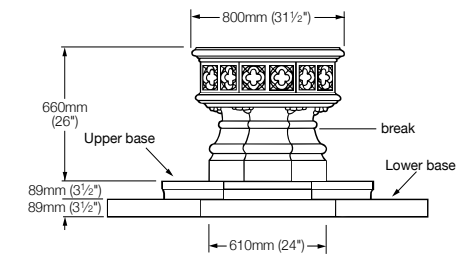
Please note: will require mechanical lifting on site in all instances.



**Gothic Jardiniere**  
H-A340  
**Upper Base**  
H-A350  
**Lower Base**  
H-A360

Gothic octagonal jardiniere with double-quatrefoil panels. It has alternate acanthus and rose relief bosses. Shown on Upper Base in four sections. For Lower Base in eight sections see diagram. Also available as a freestanding fountain (see page 94, HC251).

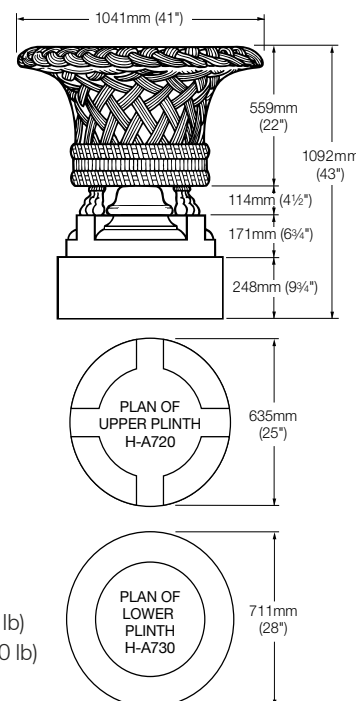
**Weight of jardiniere:** 224kg (494 lb)  
**Weight of Upper Base:** 128kg (282 lb)  
**Weight of Lower Base:** 342kg (754 lb)



**Victorian Jardiniere**  
H-A710  
**Upper Plinth**  
H-A720  
**Lower Plinth**  
H-A730

Inspired by an Austin & Seeley design, this imposing ensemble is an elegant example of the XIX century naturalist style of ornament. The surprising combination of basketweave and dragon's feet is characteristic of this style. These jardiniere are used by the Royal Horticultural Society at Wisley. See diagrams to the right for dimensions.

**Jardiniere weight:** 205kg (452 lb)  
**H-A720 plinth weight:** 86kg (190 lb)  
**H-A730 plinth weight:** 118kg (260 lb)  
**Ensemble weight:** 409kg (902 lb)



**Large Gothic Jardiniere**  
T-HA345  
**Large Gothic Upper Base**  
T-HA355 (in 8 sections)

This imposing jardiniere and base has been created to meet clients' requests for a larger version of the popular Gothic Jardiniere. The octagonal design incorporates double-quatrefoil panels on each face. The Upper Base fits around the Jardiniere, making the overall height of the ensemble 1190mm (46<sup>7</sup>/<sub>8</sub>").

**Height of jardiniere:** 1190mm (46<sup>7</sup>/<sub>8</sub>")  
**Overall width of jardiniere:** 1252mm (49<sup>1</sup>/<sub>4</sub>")  
**Overall width of jardiniere base:** 966mm (38")  
**Weight of jardiniere:** 1336kg (2943 lb)  
**Overall width of base:** 1998mm (78<sup>9</sup>/<sub>16</sub>")  
**Height of base:** 160mm (6<sup>1</sup>/<sub>4</sub>")  
**Weight of base:** 302kg (664 lb)

Please note: will require mechanical lifting on site in all instances.





# Home and Garden Traditional Planters



**Plaited Basket  
H-A510**

A delightful oval basket with plaited rim. See also, the Plaited Trough H-A515, below.

**Height:** 215mm (8½")  
**Length:** 510mm (20")  
**Width:** 395mm (15½")  
**Weight:** 17kg (37 lb)



**Belton Trough  
H-A190**

This traditional garden container, a variation on our Belton Wall Trough, features a simple Victorian basketwork design with rod and ribbon detailing to all sides. Add a point of interest to an outdoor space by placing on walls, a terrace or patio.

**Height:** 260mm (10¼")  
**Length:** 865mm (34")  
**Width:** 380mm (15")  
**Weight:** 55kg (121 lb)



**Small Alpine Trough  
H-A140**

This rustic trough is an ideal container for an alpine garden.

**Height:** 255mm (10")  
**Length:** 850mm (33½")  
**Width:** 560mm (22")  
**Weight:** 102kg (224 lb)

**Large Alpine Trough  
(not illustrated)  
H-A130**

The Large Alpine Trough is much sought after by alpine specialists.

**Height:** 280mm (11")  
**Length:** 1090mm (43")  
**Width:** 660mm (26")  
**Weight:** 156kg (344 lb)



**Roman Trough  
H-A555**

This stylish trough with a strigillated design has been created by Haddonstone for use in both traditional and contemporary schemes.

**Height:** 380mm (15")  
**Length:** 1100mm (43⅝")  
**Width:** 400mm (15¼")  
**Weight:** 156kg (344 lb)



**Plaited Trough  
H-A515**

Complementing the Plaited Basket H-A510 (see above), this basketweave design is ideal for low walls and terraces.

**Height:** 215mm (8½")  
**Length:** 770mm (30¼")  
**Width:** 395mm (15½")  
**Weight:** 32kg (70 lb)



**Belton Wall Trough  
H-A200**

A simple Victorian basketwork design with rod and ribbon detailing and a plain back. Can be used as a window box.

**Height:** 260mm (10¼")  
**Length:** 865mm (34")  
**Width:** 305mm (12")  
**Weight:** 50kg (110 lb)



**Victorian Trough and Support  
H-A735**

The design of this charming rectangular trough, taken from a Vicenza stone original, is embellished with festoons of ribbon-tied roses and acanthus leaves, with gadrooning to the rim.

**Height:** 395mm (15¾")  
**Length:** 650mm (25¾")  
**Width:** 370mm (14½")  
**Weight:** 73kg (160 lb)



**Venetian Trough  
H-A650**      **Fluted Supports  
H-A670**

Reproduced from an original XV century Venetian design, this trough looks attractive when elevated on supports and placed against a wall.

**Height of trough only:** 400mm (15¾")  
**Height of supports:** 395mm (15½")  
**Length:** 1170mm (46")  
**Width:** 385mm (15⅝")  
**Weight of trough:** 153kg (337 lb)  
**Weight of each support:** 35kg (77 lb)



# Home and Garden Traditional Planters



**Adam Box  
H-A100**

An Adam-style container decorated with festoons and medallions, ideal for use on walls or terraces.

**Height:** 380mm (15")  
**Length:** 610mm (24")  
**Width:** 305mm (12")  
**Weight:** 55kg (121 lb)

**Adam Trough  
H-A110**

This Adam-style trough, adorned with festoons and medallions, is ideal for decorating terraces or porches.

**Height of trough only:** 355mm (14")  
**Height of supports:** 140mm (5½")  
**Length:** 1220mm (48")  
**Width:** 345mm (13½")  
**Weight of trough:** 176kg (388 lb)  
**Weight of each support:** 11kg (25 lb)

**Adam Supports  
H-A120**



**Arabesque Trough  
H-A160**      **Arabesque Supports  
H-A170**

Arabesque-style trough featuring an interlaced flower and leaf pattern set in banded panels. Can be raised on supports if desired.

**Height of trough only:** 355mm (14")  
**Height of supports:** 127mm (5")  
**Length:** 1015mm (40")  
**Width:** 345mm (13½")  
**Weight of trough:** 112kg (247 lb)  
**Weight of each support:** 10kg (22 lb)



View our range at [haddonstone.com](http://haddonstone.com)



# Home and Garden Contemporary Planters



## Box Planter - Medium L-TLA963

**Height:** 410mm (16 $\frac{1}{8}$ "")  
**Base width:** 435mm (17 $\frac{1}{8}$ "")  
**Weight:** 42kg (93 lb)

## Box Planter - Large L-TLA964

**Height:** 495mm (19 $\frac{1}{2}$ "")  
**Base width:** 530mm (20 $\frac{7}{8}$ "")  
**Weight:** 51kg (112 lb)

## Box Planter - Small L-TLA962

**Height:** 320mm (12 $\frac{5}{8}$ "")  
**Base width:** 335mm (13 $\frac{3}{4}$ "")  
**Weight:** 24kg (53 lb)

## Box Planter - Extra Large L-TLA965

**Height:** 600mm (23 $\frac{3}{4}$ "")  
**Base width:** 640mm (25")  
**Weight:** 115kg (253 $\frac{1}{2}$  lb)



## Heritage Planter - Medium L-TLA973

**Height:** 410mm (16 $\frac{1}{8}$ "")  
**Base width:** 435mm (17 $\frac{1}{8}$ "")  
**Weight:** 44kg (97 lb)

## Heritage Planter - Large L-TLA974

**Height:** 495mm (19 $\frac{1}{2}$ "")  
**Base width:** 530mm (20 $\frac{7}{8}$ "")  
**Weight:** 78kg (172 lb)

## Heritage Planter - Small L-TLA972

**Height:** 320mm (12 $\frac{5}{8}$ "")  
**Base width:** 335mm (13 $\frac{3}{4}$ "")  
**Weight:** 26kg (57 lb)



## Heritage Planter - Extra Large L-TLA975

**Height:** 600mm (23 $\frac{3}{4}$ "")  
**Base width:** 640mm (25")  
**Weight:** 115kg (253 $\frac{1}{2}$  lb)



## Heritage Planter - Round L-TLA978

**Height:** 465mm (18 $\frac{3}{4}$ "")  
**Diameter:** 510mm (20")  
**Weight:** 51kg (112 lb)



## Heritage Trough L-TLA977

Our Heritage garden planter range combines elegance and style. This attractive trough is perfect for placing under windows, at entrance ways, or on terraces and patios.

**Length:** 996mm (39 $\frac{1}{4}$ "")  
**Height:** 410mm (16 $\frac{1}{8}$ "")  
**Width:** 440mm (17 $\frac{3}{8}$ "")  
**Weight:** 93kg (205 lb)



# Home and Garden Contemporary Planters



**Large Key  
T-HA955**  
Height: 510mm (20¼")  
Width: 500mm (19¾")  
Weight: 156kg (344 lb)



**Key  
L-TLHA950**  
Height: 305mm (12")  
Width: 305mm (12")  
Weight: 20kg (44 lb)



**Block  
L-TLHA915**  
Height: 305mm (12")  
Width: 305mm (12")  
Weight: 20kg (44 lb)



**Puzzle  
L-TLHA965**  
Height: 305mm (12")  
Width: 305mm (12")  
Weight: 20kg (44 lb)



**Rib  
L-TLHA970**  
Height: 305mm (12")  
Width: 305mm (12")  
Weight: 20kg (44 lb)



**Strap  
L-TLHA975**  
Height: 305mm (12")  
Width: 305mm (12")  
Weight: 20kg (44 lb)



**Sunburst  
T-HA980**  
Height: 545mm (21½")  
Width: 450mm (17¾")  
Weight: 140kg (308 lb)



**Cube  
L-TLHA935**  
Height: 420mm (16½")  
Width: 420mm (16½")  
Weight: 46kg (101 lb)



**Meander  
L-TLHA960**  
Height: 420mm (16½")  
Width: 420mm (16½")  
Weight: 51kg (112 lb)



**Arc  
L-TLHA900**  
Height: 430mm (16⅝")  
Width: 420mm (16½")  
Weight: 54kg (119 lb)



**Classic  
L-TLHA930**  
Height: 545mm (21½")  
Width at top: 650mm (25⅝")  
Width at base: 355mm (14")  
Weight: 55kg (121 lb)



**Flute  
T-HA940**  
Height: 660mm (26")  
Width at top: 600mm (23¾")  
Width at base: 340mm (13⅜")  
Weight: 141kg (311 lb)



# Home and Garden Contemporary Planters



**Small Lagoon Planter (not illustrated)**  
T-HA460

**Lagoon Planter**  
T-HA463

**Large Lagoon Planter (not illustrated)**  
T-HA465

These designs also available as self-circulating fountains, see page 92.

	T-HA460	T-HA463	T-HA465
<b>Height:</b>	600mm (23 <sup>5</sup> / <sub>8</sub> "")	600mm (23 <sup>5</sup> / <sub>8</sub> "")	600mm (23 <sup>5</sup> / <sub>8</sub> "")
<b>Top width:</b>	1220mm (48")	1570mm (61 <sup>3</sup> / <sub>4</sub> "")	1775mm (69 <sup>7</sup> / <sub>8</sub> "")
<b>Base width:</b>	685mm (27")	1035mm (40 <sup>3</sup> / <sub>4</sub> "")	1240mm (49")
<b>Weight:</b>	535kg (1178 lb)	857kg (1888 lb)	1092kg (2405 lb)

Please note: will require mechanical lifting on site in all instances.



**Large Crucible Planter**  
L-HA913

A large, stylish and contemporary design, this garden planter will make a real statement on any patio, balcony or landscape.

**Height:** 1000mm (39<sup>1</sup>/<sub>2</sub>"")  
**Width at top:** 850mm (33<sup>1</sup>/<sub>2</sub>"")  
**Width at base:** 450mm (17<sup>3</sup>/<sub>4</sub>"")  
**Weight:** 177kg (390 lb)

**Crucible Bowl Planter**  
L-HA912

This modern, free-standing planter would be perfect for a patio, balcony or roof terrace. A quality cast stone planter that complements the Crucible Bowl Fountain, see page 96.

**Height:** 390mm (15<sup>1</sup>/<sub>2</sub>"")  
**Width at top:** 790mm (31")  
**Width at base:** 350mm (14")  
**Weight:** 73kg (160 lb)

**Medium Crucible Planter**  
L-HA911

A stylish contemporary design, this garden planter complements the self-circulating Medium Crucible Fountain, see page 96, and looks ideal on patios, balconies and roof terraces.

**Height:** 800mm (31<sup>1</sup>/<sub>2</sub>"")  
**Width at top:** 680mm (26<sup>3</sup>/<sub>4</sub>"")  
**Width at base:** 330mm (13")  
**Weight:** 90kg (198 lb)

**Crucible**  
L-HA910

Crucible Fountain also available, see page 96.

**Height:** 620mm (24<sup>3</sup>/<sub>8</sub>"")  
**Width:** 500mm (19<sup>3</sup>/<sub>4</sub>"")  
**Width at base:** 250mm (10")  
**Weight:** 46kg (101 lb)



**Promenade Trough**  
T-HA527

Offering an impressive planting area, the rectangular Promenade Trough is ideal for large landscape schemes. It is possible to cast lettering or dates into this trough during the production process.

**Height:** 597mm (23<sup>1</sup>/<sub>2</sub>"")  
**Length:** 1588mm (62<sup>1</sup>/<sub>2</sub>"")  
**Width:** 717mm (28<sup>1</sup>/<sub>4</sub>"")  
**Weight:** 636kg (1400 lb)

Please note: will require mechanical lifting on site in all instances.



**Promenade Box**  
T-HA528

Featuring a generous square planting area, the Promenade Box is ideal for any landscape scheme. It is possible to cast lettering or dates into this box during production. Feet not included.

**Height:** 597mm (23<sup>1</sup>/<sub>2</sub>"")  
**Length:** 717mm (28<sup>1</sup>/<sub>4</sub>"")  
**Width:** 717mm (28<sup>1</sup>/<sub>4</sub>"")  
**Weight:** 287kg (633 lbs)

Please note: will require mechanical lifting on site in all instances.



**Small Octagonal Jardiniere**  
T-HA503

Featuring bold ogee mouldings, these jardiniere complement the Large Octagonal Jardiniere.

**Height:** 390mm (15<sup>3</sup>/<sub>8</sub>"")  
**Maximum width face to face:** 615mm (24<sup>1</sup>/<sub>4</sub>"")  
**Weight:** 140kg (308 lb)

**Medium Octagonal Jardiniere**  
T-HA504

**Height:** 635mm (25")  
**Maximum width face to face:** 1010mm (39<sup>3</sup>/<sub>4</sub>"")  
**Weight:** 450kg (991 lb)

Please note: will require mechanical lifting on site in all instances.



**Large Octagonal Jardiniere**  
T-HA505

Featuring bold ogee mouldings, this octagonal jardiniere allows shrub roots to reach the underlying soil, as the design is produced without a base.

**Height:** 770mm (30<sup>3</sup>/<sub>4</sub>"")  
**Max width face to face:** 1230mm (48<sup>1</sup>/<sub>2</sub>"")  
**Weight:** 800kg (1762 lb)

Please note: will require mechanical lifting on site in all instances.



# Home and Garden

## Robert A.M. Stern Collection

ROBERT A.M. STERN COLLECTION

Robert A.M. Stern is the founding partner of the architectural firm that bears his name. The firm has an international reputation as a leading design practice with wide experience in residential, commercial, office, hospitality, healthcare and institutional work. Attention to detail and a commitment to design quality has resulted in the creation of the Robert A.M. Stern Collection

comprising a wide range of interior and exterior products. Each partner company has been identified as a market-leader with a reputation for outstanding design, superb performance and unparalleled customer service. Haddonstone is proud to have been selected on this basis. The planter and pedestal designs from the resultant collection are shown on these pages.



### Olympian Vase H-A911

**Height:** 914mm (36")  
**Maximum width:** 413mm (16¼")  
**Width at base:** 300mm (11¾")  
**Weight:** 110kg (242 lb)

### Small Olympian Bowl H-A915

**Height:** 324mm (12¾")  
**Maximum width:** 630mm (24¾")  
**Width at base:** 292mm (11½")  
**Weight:** 60kg (131 lb)

Recommended Stern pedestals:  
H-B332, H-B940, H-B950.

### Small Olympian Urn H-A913

**Height:** 526mm (20¾")  
**Maximum width:** 505mm (19¾")  
**Width at base:** 286mm (11¼")  
**Weight:** 60kg (131 lb)

Recommended Stern pedestals:  
H-B332, H-B940, H-B950.

### Olympian Urn H-A912

**Height:** 784mm (30⅞")  
**Maximum width:** 760mm (29⅝")  
**Width at base:** 410mm (16⅙")  
**Weight:** 198kg (435 lb)

Recommended Stern pedestal:  
H-B930.

### Olympian Bowl H-A914

**Height:** 480mm (18⅞")  
**Maximum width:** 945mm (37¼")  
**Width at base:** 420mm (16½")  
**Weight:** 152kg (335 lb)

Recommended Stern pedestal:  
H-B930.

### Stern Pedestal H-B332

**Height:** 520mm (20½")  
**Width at top:** 360mm (14¾")  
**Width at base:** 355mm (14")  
**Weight:** 95kg (209 lb)

### Athenian Urn H-A923

**Height:** 622mm (24½")  
**Width at top:** 760mm (29⅝")  
**Width at base:** 308mm (12⅙")  
**Weight:** 87kg (192 lb)

Recommended Stern pedestals:  
H-B332, H-B920.

### Small Athenian Bowl H-A926

**Height:** 340mm (13⅜")  
**Width at top:** 750mm (29½")  
**Width at base:** 230mm (9⅙")  
**Weight:** 43kg (95 lb)

Recommended Stern pedestals:  
H-B332, H-B900.

### Small Athenian Vase H-A922

**Height:** 527mm (20¾")  
**Width at top:** 420mm (16½")  
**Width at base:** 190mm (7½")  
**Weight:** 28kg (62 lb)

Recommended Stern pedestals:  
H-B332, H-B900.



### Athenian Vase H-A921

**Height:** 790mm (31⅙")  
**Width at top:** 625mm (24⅝")  
**Width at base:** 308mm (12⅙")  
**Weight:** 96kg (211 lb)

Recommended Stern pedestal:  
H-B920.

### Athenian Bowl H-A925

**Height:** 418mm (16½")  
**Width at top:** 866mm (34⅙")  
**Width at base:** 308mm (12⅙")  
**Weight:** 62kg (135 lb)

Recommended Stern pedestal:  
H-B920.

### Small Athenian Urn H-A924

**Height:** 467mm (18⅜")  
**Width at top:** 568mm (22⅜")  
**Width at base:** 230mm (9⅙")  
**Weight:** 43kg (95 lb)

Recommended Stern pedestal:  
H-B910.

### Athenian Vase H-A927

**Height:** 764mm (30⅞")  
**Width at top:** 625mm (24⅝")  
**Width at base:** 396mm (15⅝")  
**Weight:** 96kg (211 lb)

Incorporating scrolled foot.

### Stern Pedestal H-B332

**Height:** 520mm (20½")  
**Width at top:** 360mm (14¾")  
**Width at base:** 355mm (14")  
**Weight:** 95kg (209 lb)



# Home and Garden

## Robert A.M. Stern Collection



### 48" Olympian Pedestal H-B950

**Height:** 1219mm (48")  
**Width at top:** 330mm (13")  
**Width at base:** 508mm (20")  
**Weight:** 113kg (249 lb)

Shown with Small Olympian Bowl H-A915.

### 32" Olympian Pedestal H-B930

**Height:** 813mm (32")  
**Width at top:** 507mm (20")  
**Width at base:** 610mm (24")  
**Weight:** 163kg (359 lb)

Shown with Olympian Bowl H-A914.

### 40" Olympian Pedestal H-B940

**Height:** 1016mm (40")  
**Width at top:** 356mm (14")  
**Width at base:** 508mm (20")  
**Weight:** 120kg (264 lb)

Shown with Small Olympian Urn H-A913.

### 38" Slender Athenian Pedestal H-B900

**Height:** 968mm (38½")  
**Width at top:** 216mm (8½")  
**Width at base:** 409mm (16½")  
**Weight:** 83kg (183 lb)

Shown with Small Athenian Vase H-A922.

### 32" Athenian Pedestal H-B920

**Height:** 815mm (32½")  
**Width at top:** 356mm (14")  
**Width at base:** 611mm (24")  
**Weight:** 140kg (308 lb)

Shown with Athenian Bowl H-A925.

### 38" Athenian Pedestal H-B910

**Height:** 968mm (38½")  
**Width at top:** 275mm (10⅞")  
**Width at base:** 520mm (20½")  
**Weight:** 114kg (251 lb)

Shown with Small Athenian Urn H-A924.

**IMPORTANT PEDESTAL SITING** It is essential that your Haddonstone pedestal is sited on a firm and level area to suit site conditions and loadings. An 8 to 1 sand/cement bedding mortar should be used to ensure that the weight of the pedestal and urn is spread evenly across the base of the pedestal, avoiding any pivoting or twisting strain between stone components and between stone and floor. We cannot accept responsibility for cracking or breakage if this instruction is ignored. Technical Sheets available for all Athenian and Olympian pedestals.



### 42" Athenian Classic Pedestal H-B901

**Overall Height:** 1066mm (42")  
**Width at top:** 255mm (10")  
**Width at base:** 409mm (16½")  
**Weight:** 93kg (205 lb)

Shown with Caesar Augustus L-HE815.

### 36" Athenian Classic Pedestal H-B921

**Overall Height:** 920mm (36¼")  
**Width at top:** 395mm (15½")  
**Width at base:** 611mm (24")  
**Weight:** 168kg (370 lb)

Shown with Ionian Vase H-A425.

### 43" Athenian Classic Pedestal H-B911

**Overall Height:** 1085mm (42¾")  
**Width at top:** 324mm (12¾")  
**Width at base:** 520mm (20½")  
**Weight:** 133kg (293 lb)

Shown with Versailles Vase H-A690.



# Home and Garden Pedestals and Plinths



H-B370 Pedestal (Shown with Eastwell Urn)    H-B360 Pedestal (Shown with Fontainebleau Urn)    H-B350 Pedestal (Shown with Florentine Urn)    H-B120 Pedestal (Shown with Large Versailles Vase)    H-B265 Pedestal (Shown with State Vase)    H-B255 Pedestal (Shown with Westonbirt Urn)

## Dado Pedestal H-B370, T-HB370, L-TLB370

Classical column pedestal design with deep recessed compound moulding. Suitable for housing urns and statues with a base exceeding 265mm x 265mm (10½" x 10½") due to its pre-cut vertical square hole.

**Height:** 279mm (11")  
**Width at base:** 457mm (18")  
**Weight:** 61kg (134 lb)

## Large Winslow Pedestal H-B360, L-B360

Large pedestal, identical in proportion to the Winslow Pedestal H-B350, below. For use with larger urns and vases. Suitable for housing planters with a base exceeding 380mm / 15" due to its pre-cut vertical round hole.

**Height:** 293mm (11½")  
**Width at base:** 750mm (29½")  
**Width at top:** 508mm (20")  
**Weight:** 212kg (467 lb)

## Winslow Pedestal H-B350, L-TLB350

Robustly moulded pedestal, ideal for raising urns and vases slightly above ground level. Suitable for housing urns and statues with a base exceeding 152mm / 6" due to its pre-cut round hole.

**Height:** 205mm (8")  
**Width at base:** 525mm (20¾")  
**Width at top:** 355mm (14")  
**Weight:** 57kg (125 lb)

## Georgian Pedestal H-B120 **P**

Imposing pedestal with deep recessed compound mouldings.

**Height (inc. block):** 908mm (35¾")  
**Width at base:** 700mm (27½")  
**Width at cap:** 735mm (29")  
**Width of block:** 546mm (21½")  
**Weight:** 389kg (857 lb)

## 36" Queen Anne Pedestal H-B265 **P**

A versatile pedestal featuring a deeply fielded panel to the pedestal shaft.

**Height:** 915mm (36")  
**Cap and base width:** 485mm (19")  
**Weight:** 170kg (375 lb)

## 27" Queen Anne Pedestal H-B255 **P**

Pedestal featuring a deeply fielded panel to the pedestal shaft.

**Height:** 685mm (27")  
**Cap and base width:** 485mm (19")  
**Weight:** 153kg (337 lb)

**IMPORTANT PEDESTAL SITING** It is essential that your Haddonstone pedestal is sited on a firm and level area to suit site conditions and loadings. An 8 to 1 sand/cement bedding mortar should be used to ensure that the weight of the pedestal and urn is spread evenly across the base of the pedestal, avoiding any pivoting or twisting strain between stone components and between stone and floor. We cannot accept responsibility for cracking or breakage if this instruction is ignored.



H-B310 Plinth (Shown with Regency Urn)    H-B300 Plinth (Shown with House of Dun Urn)    H-B400 Plinth (Shown with Wilton Urn)    H-B420 Plinth (Shown with Clarence Urn)    H-B440 Plinth (Shown with Trafalgar Urn)    H-B480 Pedestal (Shown with Etruscan Vase)    H-B330 Pedestal (Shown with Shugborough Vase)    H-B331 Pedestal (Shown with Cliveden Vase)    H-B130 Pedestal (Shown with Vine Urn)

## 30" Queen Anne Plinth H-B310 **P**

Queen Anne-period fielded plinth with plain mouldings around cap and base.

**Height:** 775mm (30½")  
**Width at cap:** 329mm (12<sup>15</sup>/<sub>16</sub>")  
**Width at base:** 337mm (13¼")  
**Weight:** 87kg (192 lb)

## 27" Queen Anne Plinth H-B300 **P**

Queen Anne-period fielded plinth with plain mouldings around cap and base.

**Height:** 695mm (27½")  
**Width at cap:** 329mm (12<sup>15</sup>/<sub>16</sub>")  
**Width at base:** 337mm (13¼")  
**Weight:** 77kg (170 lb)

## 20" Elizabethan Plinth H-B400 **P**

Featuring a moulded cap.

**Height:** 499mm (20")  
**Width at cap:** 377mm (14<sup>7</sup>/<sub>8</sub>")  
**Width at base:** 337mm (13¼")  
**Weight:** 73kg (161 lb)

## 28" Elizabethan Plinth H-B420 **P**

Featuring a moulded cap.

**Height:** 721mm (28")  
**Width at cap:** 377mm (14<sup>7</sup>/<sub>8</sub>")  
**Width at base:** 337mm (13¼")  
**Weight:** 79kg (174 lb)

## 31" Elizabethan Plinth H-B440 **P**

Featuring a moulded cap.

**Height:** 798mm (31")  
**Width at cap:** 377mm (14<sup>7</sup>/<sub>8</sub>")  
**Width at base:** 337mm (13¼")  
**Weight:** 90kg (198 lb)

## Raphael Pedestal H-B480

Small pedestal in high Renaissance style has richly decorated panels on each of four faces. The cap and base have bead and reel ornamentation.

**Overall height:** 670mm (26½")  
**Width at cap:** 235mm (9¼")  
**Width at base:** 265mm (10½")  
**Weight:** 74kg (163 lb)

## Regency Pedestal H-B330

Suitable for housing urns and statues with a base width exceeding 150mm / 6" due to its pre-cut vertical round hole.

**Height:** 430mm (17")  
**Width at top:** 220mm (8¾")  
**Width at base:** 280mm (11")  
**Weight:** 33kg (73 lb)

## Large Regency Pedestal H-B331

Suitable for housing urns and statues with a base width exceeding 165mm / 6½" due to its pre-cut vertical round hole.

**Height:** 455mm (18")  
**Width at top:** 305mm (12")  
**Width at base:** 355mm (14")  
**Weight:** 80kg (176 lb)

## Gothic Pedestal H-B130

Suitable for housing urns and statues with a base width exceeding 150mm / 6" due to its pre-cut vertical round hole.

**Height:** 774mm (30½")  
**Width at cap:** 200mm (7<sup>7</sup>/<sub>8</sub>")  
**Width at base:** 292mm (11½")  
**Weight:** 76kg (167 lb)



# Home and Garden Pedestals and Plinths



H-B490 Pedestal (Shown with Helena)  
 H-B495 Pedestal (Shown with Bust of Pan)  
 H-B100 Pedestal (Shown with Bacchante)  
 H-B150 Pedestal (Shown with antique lead figure)  
 H-B140 Pedestal (Shown with Brutus)  
 H-B340 Pedestal (Shown with Andromeda)  
 H-B335 Pedestal (Shown with Venus)

## Adam Pedestal H-B490/L-TLB490

**Height:** 887mm (35")  
**Width at base:** 358mm (14")  
**Width at top:** 345mm (13<sup>3</sup>/<sub>16</sub>"")  
**Weight:** 103kg (227 lb)

## Adam Pedestal H-B495/L-TLB495

**Height:** 1087mm (42<sup>3</sup>/<sub>4</sub>"")  
**Width at base:** 358mm (14")  
**Width at top:** 345mm (13<sup>3</sup>/<sub>16</sub>"")  
**Weight:** 123kg (271 lb)

## Doric Pedestal H-B100

**Height:** 1190mm (46<sup>3</sup>/<sub>4</sub>"")  
**Width at top:** 350mm (13<sup>3</sup>/<sub>4</sub>"")  
**Width at foot:** 445mm (17<sup>1</sup>/<sub>2</sub>"")  
**Weight:** 137kg (302 lb)

## Jacobean Pedestal H-B150

**Height:** 620mm (24<sup>1</sup>/<sub>2</sub>"")  
**Width at base:** 385mm (15<sup>1</sup>/<sub>4</sub>"")  
**Width at top:** 360mm (14<sup>3</sup>/<sub>16</sub>"")  
**Weight:** 121kg (267 lb)

## Ionic Pedestal H-B140

**Height:** 1140mm (45")  
**Width at top:** 345mm (13<sup>3</sup>/<sub>16</sub>"")  
**Width at foot:** 400mm (15<sup>3</sup>/<sub>4</sub>"")  
**Weight:** 136kg (300 lb)

## Octagonal Pedestal H-B340

Suitable for housing urns and statues with a base exceeding 160mm / 6<sup>1</sup>/<sub>4</sub>" due to its pre-cut round hole.

**Height:** 380mm (15")  
**Width at top:** 425mm (16<sup>3</sup>/<sub>4</sub>"")  
**Width overall:** 485mm (19")  
**Face to face:** 450mm (17<sup>3</sup>/<sub>4</sub>"")  
**Weight:** 108kg (238 lb)

## Small Octagonal Pedestal H-B335

Suitable for housing urns and statues with a base exceeding 160mm / 6<sup>1</sup>/<sub>4</sub>" due to its pre-cut round hole.

**Height:** 310mm (12<sup>1</sup>/<sub>4</sub>"")  
**Width at top:** 375mm (14<sup>3</sup>/<sub>4</sub>"")  
**Width overall:** 435mm (17")  
**Face to face:** 400mm (15<sup>3</sup>/<sub>4</sub>"")  
**Weight:** 81kg (179 lb)



H-B170 Pedestal  
(Shown with antique bust)



L-TLB500 Pedestal  
(Shown with Romanesque Fountain)

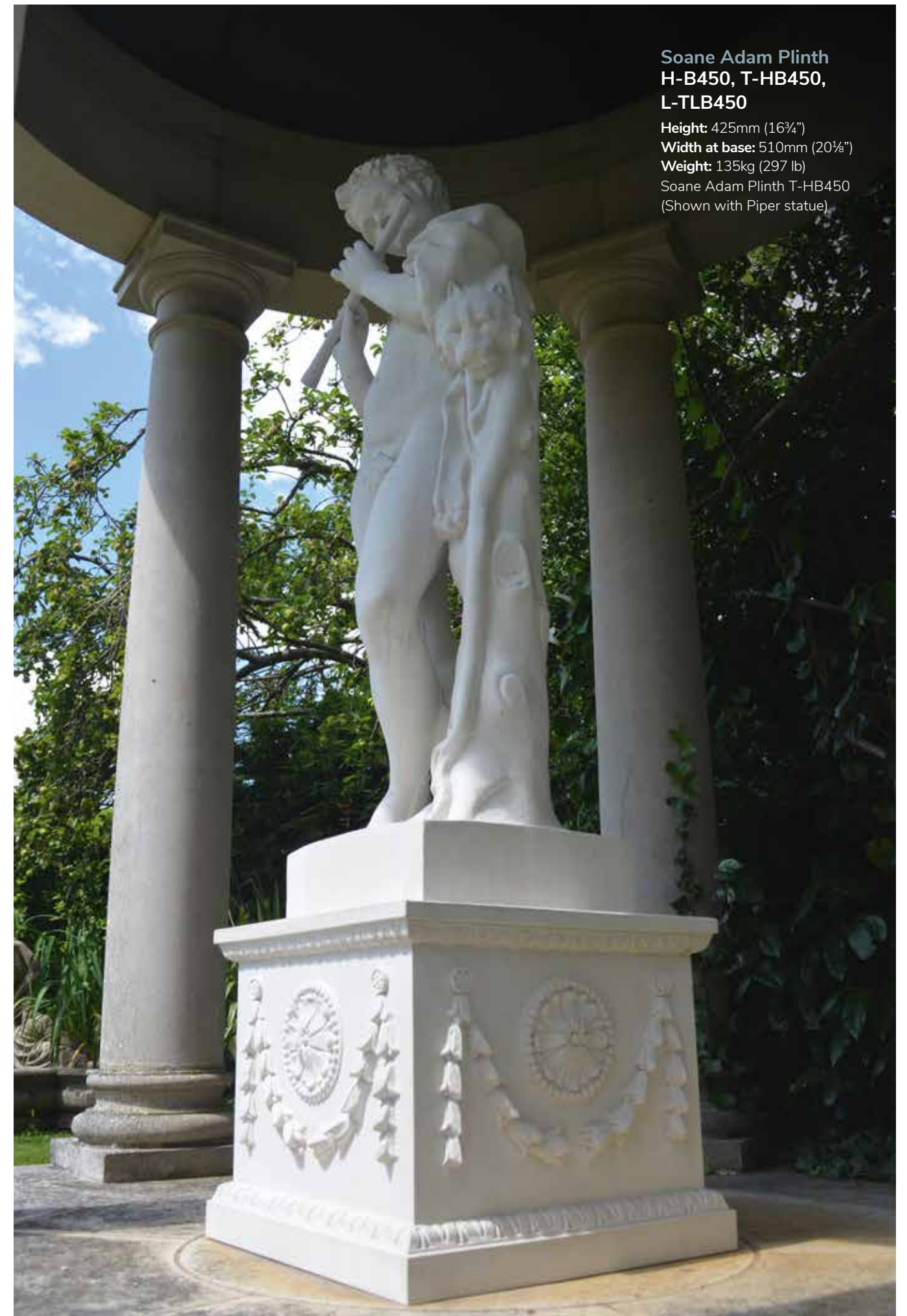
## Tuscan Pedestal H-B170

**Height:** 1054mm (41<sup>1</sup>/<sub>2</sub>"")  
**Width at top:** 350mm (13<sup>3</sup>/<sub>4</sub>"")  
**Width at foot:** 406mm (16")  
**Weight:** 145kg (319 lb)

## Romanesque Pedestal L-TLB500

A simple, circular pedestal that both complements and moderately elevates the Romanesque Fountains and the Romanesque Bowl, providing greater prominence and visibility. Suitable for elevating fountains, urns and statues with a base exceeding 315mm / 12<sup>1</sup>/<sub>2</sub>" due to its pre-cut round hole.

**Height:** 400 mm (15<sup>3</sup>/<sub>4</sub>"")  
**Width at top:** 445 mm (17<sup>1</sup>/<sub>2</sub>"")  
**Width at base:** 480 mm (19")  
**Weight:** 70kg (154 lbs)

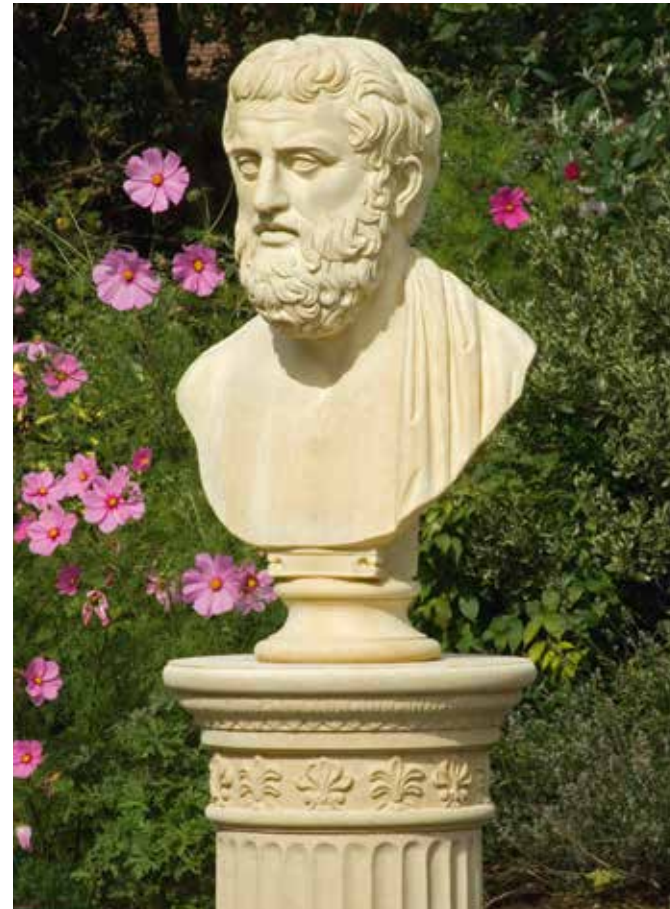


## Soane Adam Plinth H-B450, T-HB450, L-TLB450

**Height:** 425mm (16<sup>3</sup>/<sub>4</sub>"")  
**Width at base:** 510mm (20<sup>1</sup>/<sub>8</sub>"")  
**Weight:** 135kg (297 lb)  
 Soane Adam Plinth T-HB450  
 (Shown with Piper statue)



# Home and Garden Busts and Statues



## Aristotle L-HE805

One of the most important founding figures in Western philosophy, Aristotle (384-322 BC) was a student of Plato and teacher of Alexander the Great.

**Height:** 567mm (22<sup>3</sup>/<sub>8</sub>"")  
**Width of bust:** 350mm (13<sup>3</sup>/<sub>4</sub>"")  
**Width of socle:** 175mm (6<sup>7</sup>/<sub>8</sub>"")  
**Weight:** 29kg (64 lb)

Recommended pedestals: H-B130, H-B480, L-TLB490, L-TLB495.



## Lancelot Capability Brown L-HE860

To mark the tercentenary of Lancelot 'Capability' Brown's birth in 2016, Haddonstone commissioned a bust based on Nathaniel Dance's famous 1773 portrait. No previous portrait bust existed so this is a significant and important work. Lancelot 'Capability' Brown (1716-1783) changed the face of landscape design in England and beyond, sweeping away much of what had gone before by creating an idealised countryside of lakes, trees and rolling parkland at such places as Blenheim, Croome, Harewood and Stowe.

**Height:** 650mm (25<sup>5</sup>/<sub>8</sub>"")  
**Width of bust:** 480mm (19")  
**Width of socle:** 235mm (9<sup>1</sup>/<sub>4</sub>"")  
**Weight:** 48kg (106 lb)

Recommended pedestals: H-B170, H-B440, L-TLB490, L-TLB495, H-B901.



## Young Athlete L-HE850

This library bust is an exquisite replica taken from a fine bronze created in 1889 by the renowned Sabatino de Angelis of Naples. This bust would make an attractive addition to a garden or an interior such as a hall, drawing room or library.

**Height:** 505mm (19<sup>7</sup>/<sub>8</sub>"")  
**Width of bust:** 285mm (11<sup>1</sup>/<sub>4</sub>"")  
**Width of socle:** 165mm (6<sup>1</sup>/<sub>2</sub>"")  
**Weight:** 18kg (40 lb)

Recommended pedestals: H-B130, H-B480, L-TLB490, L-TLB495.



## Berenice L-HE855

Berenice is a fine replica created from an 1889 bronze by the renowned Naples studios of Sabatino de Angelis. The Sabatino edition was taken from an antique excavated in 1754 from the Villa of the Papyri in Herculaneum.

**Height:** 630mm (24<sup>3</sup>/<sub>4</sub>"")  
**Width of bust:** 350mm (13<sup>3</sup>/<sub>4</sub>"")  
**Width of socle:** 235mm (9<sup>1</sup>/<sub>4</sub>"")  
**Weight:** 42kg (93 lb)

Recommended pedestals: H-B170, H-B440, L-TLB490, L-TLB495, H-B901.



## Helena H-E170

This beautiful bust, from an original by the renowned XIX century sculptor Charles Francis Fuller, depicts a young Roman maiden whom we have called Helena.

**Height:** 695mm (27<sup>3</sup>/<sub>8</sub>"")  
**Width of bust:** 457mm (18")  
**Width of socle:** 250mm (9<sup>7</sup>/<sub>8</sub>"")  
**Weight:** 55kg (121 lb)

Recommended pedestals: H-B310, H-B440, H-B490, H-B495.

## Humphry Repton L-HE862

To mark the bicentenary of Humphry Repton's death, Haddonstone commissioned the first ever portrait bust based on extant engravings. Repton (1752-1818) is considered the successor to Lancelot 'Capability' Brown. Famous for his 'Red Books' showing 'before' and 'after' views, his landscapes often incorporated a transition between house and grounds with terraces and balustrades. Important commissions included Harewood, Hatchlands, Holkham, Russell Square, Sheringham, Uppark and Woburn. This bust of Repton has been created at a similar scale to that of 'Capability' Brown so they can be used as a pair. The originals for both busts were created by Hannah Northam.

**Height:** 660mm (26")  
**Width of bust:** 510mm (20")  
**Width of socle:** 235mm (9<sup>1</sup>/<sub>4</sub>"")  
**Weight:** 50kg (110 lb)

Recommended pedestals: H-B170, L-TLB490, L-TLB495, H-B901.





# Home and Garden Busts and Statues

## Antinous L-HE840

Antinous (111-130 AD) was an important member of Emperor Hadrian's entourage. Deified by Hadrian after his death, Antinous came to be considered the personification of youthful beauty.

**Height:** 790mm (31½")  
**Width of bust:** 550mm (21½")  
**Width of socle:** 250mm (9¾")  
**Weight:** 84kg (185 lb)

Recommended pedestals: H-B170, L-TLB490, L-TLB495, H-B901.



## Caesar Augustus L-HE815

Caesar Augustus (63BC-14AD), was the first Emperor of the Roman Empire, ruling alone from 31 BC. This bust is replicated from a marble statue excavated in 1863 at Prima Porta near Rome and now displayed at the Vatican Museum. Caesar Augustus, whose great uncle was Julius Caesar, is depicted in armour as commander-in-chief of the Roman army.

**Height:** 740mm (29½")  
**Width of bust:** 500mm (19¾")  
**Width of socle:** 230mm (9½")  
**Weight:** 67kg (148 lb)

Recommended pedestals: H-B170, L-TLB490, L-TLB495, H-B901.



## Eros L-HE845

This fine torso is a Roman copy of a Greek bronze original attributed to the sculptor Praxiteles. In Greek mythology Eros was the primordial god of sexual love and beauty. Inscribed "1378 TORSE ANTIQVE D'AMOVR. L'AMOVR GREC MUSE VATIC". The original marble is in the Vatican Museum.

**Height:** 970mm (38¾")  
**Width:** 440mm (17¼")  
**Weight:** 103kg (227 lb)

Recommended pedestals: H-B255, H-B265.



## Apollo Belvedere L-HE830

From the full size Roman marble copy, after the ancient Greek statue by Leochares embodying masculine beauty in all its plenitude, it is one of the most celebrated sculptures from classical antiquity. The original is in the Vatican Museum. Often paired with Diana Chasseresse.

**Height:** 790mm (31½")  
**Width of bust:** 565mm (22¼")  
**Width of socle:** 250mm (9¾")  
**Weight:** 83kg (183 lb)

Recommended pedestals: H-B170, L-TLB490, L-TLB495, H-B901.



## Diane Chasseresse L-HE835

From the full size Roman marble copy, after the ancient Greek statue depicting Diana the Huntress by Leochares. Prominently displayed at Fontainebleau in the sixteenth century, the original marble is now in the Louvre, Paris. Often paired with Apollo Belvedere.

**Height:** 740mm (29½")  
**Width of bust:** 420mm (16½")  
**Width of socle:** 220mm (8⅝")  
**Weight:** 50kg (110 lb)

Recommended pedestals: H-B170, L-TLB490, L-TLB495, H-B901.



## Antoninus Pius L-HE820

Antoninus Pius, Roman Emperor from 138-161 AD, was the adoptive son and successor to Hadrian. He instigated the construction of the Antonine Wall between the Firths of Clyde and Forth.

**Height:** 860mm (33⅞")  
**Width of bust:** 640mm (25¼")  
**Width of socle:** 220mm (8⅝")  
**Weight:** 92kg (203 lb)

Recommended pedestals: H-B170, L-TLB490, L-TLB495, H-B901.



## Septimius Severus L-HE825

Septimius Severus (145-211AD) was Roman Emperor from 193 AD. Severus was considered a strong, able ruler who sought glory through military exploits.

**Height:** 840mm (33⅜")  
**Width of bust:** 520mm (20½")  
**Width of socle:** 230mm (9¼")  
**Weight:** 80kg (176 lb)

Recommended pedestals: H-B170, L-TLB490, L-TLB495, H-B901.



## Isis L-HE810

Acquired by Charles Townley, the famous collector, during his second Grand Tour of Italy (1771-74). Townley himself believed the bust represented Isis, considered by the ancients as the ideal mother and wife as well as patron of nature and magic.

**Height:** 690mm (27¼")  
**Width of bust:** 450mm (17¾")  
**Width of socle:** 240mm (9½")  
**Weight:** 65kg (143 lb)

Recommended pedestals: H-B170, L-TLB490, L-TLB495, H-B901.

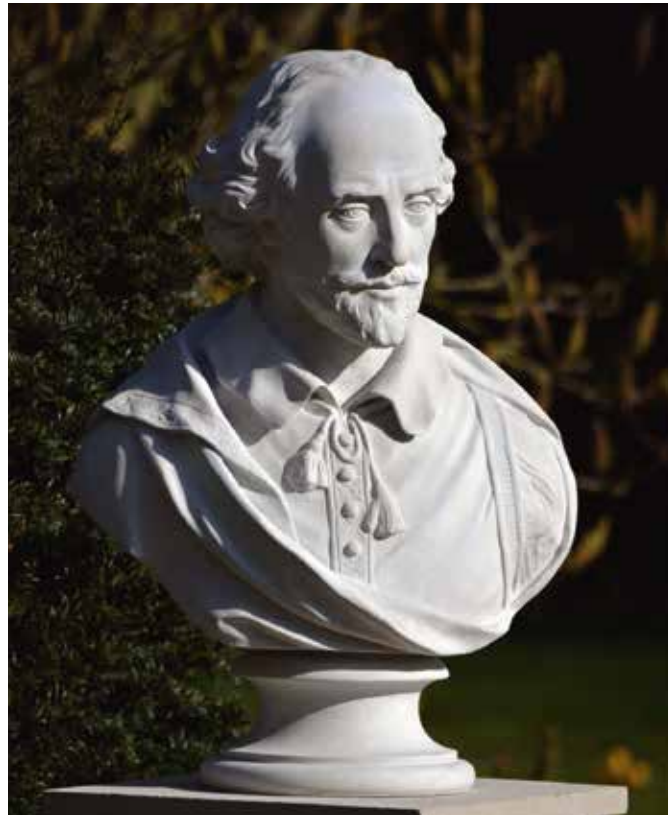


# Home and Garden Busts and Statues

## SIR JOHN SOANE'S MUSEUM LONDON

In 2014 Haddonstone launched a collection of designs, replicated from historic works of art on display at the renowned Sir John Soane's Museum in London. Sir John Soane (1753-1837) was one of the most inventive and celebrated architects of his time. His surviving works include Pitzhanger Manor, Ealing, and his house in Lincoln's Inn Fields, London (now the Soane Museum) which is probably his greatest legacy.

The Museum contains his astonishing collection of artefacts. This is a rare opportunity to acquire a design from the Museum's historic collection for your own home, garden or landscape. See also pages 47, 102 and 104-105.



**Soane Shakespeare**  
L-HE875

William Shakespeare (1564-1616) is considered by many to be the most important writer in the English language and the world's preeminent playwright. Most notably associated with Stratford-upon-Avon, this portrait bust is taken from the copy of Thomas Sheemakers' work in the permanent collection of Sir John Soane's Museum in London.

**Height:** 660mm (26")  
**Width of bust:** 460mm (18½")  
**Width of socle:** 235mm (9¼")  
**Weight:** 42kg (93 lb)

Recommended pedestals: H-B170, H-B440, L-TLB490, L-TLB495, H-B901.



**Soane Inigo Jones**  
L-HE870

Inigo Jones (1573-1652) is universally credited with bringing classical architecture to Britain and, ultimately, to America. His most famous commissions include the Queen's House in Greenwich, London, the Banqueting House, Whitehall and St Paul's Church, Covent Garden. He is said to have also designed the square of Lincoln's Inn Fields, where Sir John Soane's Museum is located and where the plaster original of this bust is displayed.

**Height:** 630mm (24¾")  
**Width of bust:** 480mm (19")  
**Width of socle:** 235mm (9¼")  
**Weight:** 53kg (117 lb)

Recommended pedestals: H-B170, H-B440, L-TLB490, L-TLB495, H-B901.



**Soane Caryatid**  
T-HE675

The wonderful Soane Caryatid was originally created by the famous Coad & Sealy company in 1812. A pair of these female figures stand on top of the projecting stone façade of Soane's house in Lincoln's Inn Fields. Soane used these caryatids in a number of projects, notably at the Bank of England.

**Height:** 1806mm (71½")  
**Max. base width:** 460mm (18½")  
**Weight:** 446kg (982 lb)

Please note: will require mechanical lifting on site in all instances.



**Soane Hercules**  
H-E677

A colossal bust based on the full length figure of the famous Farnese Hercules in the Museo Archeologico Nazionale in Naples. At the Soane Museum the bust is displayed on a parapet overlooking the Monument Court.

**Height:** 1170mm (46")  
**Width at base:** 380mm (15")  
**Max. width:** 812mm (32")  
**Weight:** 231kg (509 lb)

Recommended pedestal: H-B265

Please note: will require mechanical lifting on site in all instances.



**Soane Term**  
H-E679

Terms are classical architectural features, the name deriving from Terminus, the Roman god of boundaries and boundary markers. The Soane Term incorporates a human head with a sunflower motif and a sculptured drop of flowers and fruit. Ideal for use inside or out, positioning either side of an entrance or against a wall at the end of a path or corridor.

**Height:** 1905mm (75")  
**Base width:** 255mm (10")  
**Base depth:** 100mm (4")  
**Weight:** 76kg (167 lb)



# Home and Garden Busts and Statues



**Pan Term**  
**H-E690**

This magnificent term depicts Pan, the Arcadian god of hills and woods, who is the protecting deity of flocks and herdsmen. He is portrayed as having the body of a man, but with the beard and horns of a goat, playing his syrinx. A beautiful lion's skin, complete with mask, robes his body and drapes the term pedestal shaft. Traditionally used for terminating a path or hedge, or as a focal point in a garden scheme.

**Height:** 2020mm (79½")  
**Width at base:** 700mm (27½")  
**Weight:** 426kg (939 lb)



**Bacchus**  
**H-E190**

A bust of the god of wine wearing an animal skin and cloak, usually mounted on our Doric Pedestal (see page 46).

**Height:** 965mm (38")  
**Width of bust:** 690mm (27")  
**Width of socle:** 290mm (11½")  
**Weight:** 96kg (211 lb)

Recommended pedestals: H-B100, H-B170, H-B265.



**Bust of Pan**  
**H-E695**

This bust is taken from our Pan Term H-E690, see above.

**Height:** 770mm (30¾")  
**Width overall:** 540mm (21¼")  
**Width at base:** 250mm (9⅞")  
**Weight:** 85kg (187 lb)

Recommended pedestal: H-B310, H-B440, H-B490, H-B495.



**Byron**  
**H-E175**

Lord Byron was famously described as being "mad, bad and dangerous to know" by Lady Caroline Lamb. Byron (1788-1824) was an icon of his age. Haddonstone's Byron is taken from a fine marble original carved by Edward Hodges Baily RA in circa 1826.

**Height:** 790mm (31")  
**Width of bust:** 520mm (20½")  
**Width of socle:** 214mm (8½")  
**Weight:** 71kg (156 lb)

Recommended pedestals: H-B490, H-B495.



**Brutus**  
**H-E195**

Taken from an original that was carved by Michelangelo, which now stands in the Bargello Museum, Florence, this bust conveys the power of Brutus to an extraordinary degree of grandeur.

**Height:** 970mm (38¾")  
**Width of bust:** 750mm (29½")  
**Width of socle:** 320mm (12½")  
**Weight:** 142kg (313 lb)

Recommended pedestals: H-B140, H-B265.



**Bacchante**  
**H-E180**

Originating in Italy, circa 1870, this bust depicts a Bacchante, a reveller in the court of Bacchus, god of wine. Featuring vine-entwined hair and a loosely draped robe, she is designed for display on our Doric Pedestal (see page 46).

**Height:** 880mm (34⅝")  
**Width of bust:** 560mm (22")  
**Width of socle:** 290mm (11½")  
**Weight:** 100kg (220 lb)

Recommended pedestals: H-B100, H-B170, H-B265.



**Venus**  
**H-E680**

Venus, the goddess of love and fertility, is replicated from a late XIX century Italian white-marble sculpture. She is depicted with flowing locks, resting against a rocky promontory, a robe loosely draped around her body.

**Height:** 840mm (33")  
**Max. base width:** 280mm (11")  
**Weight:** 57kg (126 lb)

Recommended pedestals: H-B335, H-B400.



**Andromeda**  
**H-E640**

Taken from a XIX century Italian original, Andromeda stands, scantily clad, clutching a robe to her right breast whilst manacled to a rocky outcrop. In classical mythology Andromeda was chained to a rock before being found by the hero Perseus who released her, slew a monster and married her.

**Height:** 1030mm (40¾")  
**Max. base width:** 345mm (13½")  
**Weight:** 80kg (176 lb)

Recommended pedestals: H-B255, H-B340, H-B350.



# Home and Garden Busts and Statues



## Shepherdess T-HE655

The Shepherdess statue has been created to provide the Gardener design with a partner. She is depicted in rustic style, in a period dress with bonnet, laced bodice, flowing skirt and buckle shoes. In her right hand she holds a wrought iron crook and under her left arm she gently cradles a small lamb.

**Height:** 1380mm (54¼")

**Max. base width:** 350mm (13¾")

**Weight:** 132kg (291 lb)

Recommended pedestals: H-B255, H-B265, T-HB370, T-HB450.



## The Gardener T-HE650

Inspired by the engaging lead figure that once stood at Burton Agnes in Yorkshire, Haddonstone created this statue of an XVIII century gardener, in period dress, resting on his spade.

**Height:** 1380mm (54¼")

**Max. base width:** 355mm (14")

**Weight:** 140kg (308 lb)

Recommended pedestals: H-B255, H-B265, T-HB370, T-HB450.



## Earth L-HE600

**Height:** 1010mm (39¾")

**Max. base width:** 455mm (18")

**Weight:** 113kg (249 lb)



## Fire L-HE610

**Height:** 1010mm (39¾")

**Max. base width:** 405mm (16")

**Weight:** 121kg (266 lb)



## Air L-HE620

**Height:** 980mm (38½")

**Max. base width:** 395mm (15½")

**Weight:** 102kg (225 lb)



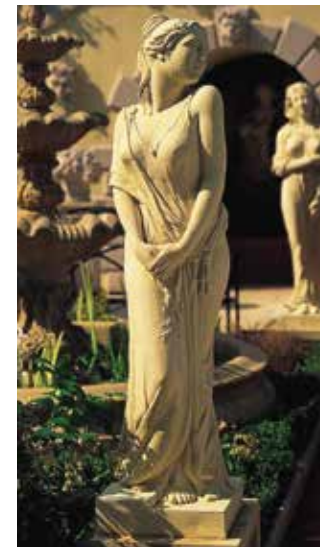
## Water L-HE630

**Height:** 995mm (39¼")

**Max. base width:** 410mm (16¼")

**Weight:** 119kg (262 lb)

Recommended pedestals: H-B255, H-B265, L-TLB370, L-TLB450.



## Spring L-HE750

**Height:** 1430mm (56¼")

**Max. base width:** 360mm (14¼")

**Weight:** 140kg (308 lb)



## Summer L-HE755

**Height:** 1430mm (56¼")

**Max. base width:** 360mm (14¼")

**Weight:** 140kg (308 lb)

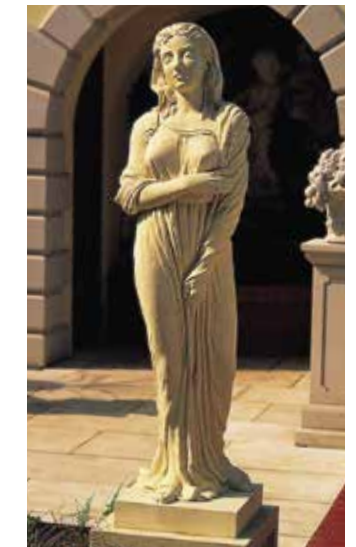


## Autumn L-HE760

**Height:** 1430mm (56¼")

**Max. base width:** 360mm (14¼")

**Weight:** 140kg (308 lb)



## Winter L-HE765

**Height:** 1430mm (56¼")

**Max. base width:** 360mm (14¼")

**Weight:** 140kg (308 lb)

Spring stands demurely holding a sprig of pussy willow in her right hand. Summer stands gracefully holding a sheaf of corn. Autumn is depicted holding freshly harvested grapes within her skirts. Winter stands with oak entwined hair and her left arm warmly wrapped with drapery.

Recommended pedestals: H-B255, H-B265, L-TLB370, L-TLB450.



# Home and Garden Busts and Statues



**Piper**  
T-HE660

This charming figure of a young boy playing a pipe has been modelled by Haddonstone from an antique copy. The original stood in the Villa Borghese until purchased by Napoleon Bonaparte and subsequently displayed in the Louvre. Shown on Soane Adam Plinth (see page 47).

**Height:** 1380mm (54¼")  
**Max. base width:** 355mm (14")  
**Weight:** 140kg (308 lb)

Recommended pedestals: H-B255, H-B265, T-HB370, T-HB450.



**Music**  
T-HE670

Music holds a classical lyre in her left hand, an instrument attributed to the Greek God Hermes. Originally created for the restoration of Leazes Park in Newcastle, this design is identical in proportion to Poetry.

**Height:** 1800mm (71")  
**Width at base:** 650mm (25½")  
**Weight:** 465kg (1024 lb)

Please note: will require mechanical lifting on site in all instances.



**Poetry**  
T-HE671

This elegant statue, representing Poetry, stands clutching a bound volume of verse. Originally created for the restoration of Leazes Park in Newcastle, this design is identical in proportion to Music.

**Height:** 1800mm (71")  
**Width at base:** 650mm (25½")  
**Weight:** 395kg (870 lb)

Please note: will require mechanical lifting on site in all instances.



**Jacquemart Hunting Dog**  
(left hand)  
L-HE581

These noble hunting dogs have been replicated from lead designs. The originals were sculpted by Henri Alfred Marie Jacquemart (1824-96), a noted Parisian sculptor and one of the leading animaliers of his time. Ideal for use as a pair either side of a house entrance or garden gateway.

**Height:** 780mm (30¾")  
**Width at base:** 320mm (12⅝")  
**Length at base:** 610mm (24")  
**Weight:** 84kg (185 lb)



**Jacquemart Hunting Dog**  
(right hand)  
L-HE582

**Height:** 785mm (30⅞")  
**Width at base:** 315mm (12⅜")  
**Length at base:** 620mm (24¼")  
**Weight:** 84kg (185 lb)



**Equine Head**  
H-E570

The original of this impressive Equine Head probably dates from the first century BC. It entered the Medici collections in fifteenth century Florence.

**Height:** 1010mm (39¾")  
**Depth of bust:** 890mm (35")  
**Width of bust base:** 340mm (13½")  
**Width of socle:** 380mm (15")  
**Weight:** 183kg (403 lb)

Recommended pedestals: H-B120, H-B265.

Please note: will require mechanical lifting on site in all instances.

**Elephant**      **Elephant Base**  
T-HE575A      T-HE575B

This design is based on an Asian Elephant wearing an embroidered velvet caparison associated with celebrations.

**Elephant height:** 730mm (28¾")  
**Elephant length:** 870mm (34¼")  
**Elephant width:** 380mm (14⅝")  
**Elephant weight:** 233kg (513 lb)

**Height of base:** 170mm (6⅜")  
**Length of base:** 940mm (37")  
**Width of base:** 495mm (19½")  
**Weight of base:** 153kg (337 lb)

**Overall height:** 900mm (35⅞")

Please note: will require mechanical lifting on site in all instances.





# Home and Garden Busts and Statues



**XVIII Century Lion**  
H-E450  
**XVIII Century Lion Pedestal**  
H-B200

A well-proportioned lion couchant, which can be mounted on the H-B200 pedestal. Suitable for terraces or tops of steps.

**Height of lion:** 405mm (16")  
**Length of lion:** 610mm (24")  
**Width of lion:** 280mm (11")  
**Weight of lion:** 56kg (125 lb)  
**Height of pedestal:** 240mm (9½")  
**Length of pedestal at foot:** 645mm (25½")  
**Width of pedestal at foot:** 330mm (13")  
**Weight of pedestal:** 57kg (126 lb)



**Sphinx (left hand)**  
H-Q995

These magnificent late eighteenth century classical sphinxes are available individually or as a handed pair. In the late Georgian period, there were two styles of Sphinx: the Egyptian Sphinx with a male head; and, as here, the Grecian Sphinx - a female form with a woman's head and the haunches of a lion. These wonderfully detailed replicas recreate the majesty of the Coade originals.

**Height:** 810mm (31⅞")  
**Length of base:** 1060mm (41¾")  
**Width of base:** 420mm (16½")  
**Weight:** 190kg (419 lb)

**Sphinx (right hand)**  
H-Q996

**Height:** 780mm (30⅞")  
**Length of base:** 1020mm (40⅞")  
**Width of base:** 397mm (15⅝")  
**Weight:** 190kg (419 lb)



**Lion Finial**  
H-E460

This handsome lion finial may also be used as a fountain (see page 78). Shown mounted on a waisted octagonal base.

**Height of lion:** 610mm (24")  
**Width at lion base:** 280mm (11")  
**Weight of lion:** 35kg (77 lb)  
**Height of base:** 280mm (11")  
**Width of base:** 355mm (14")  
**Weight of base:** 35kg (77 lb)



**Peregrine Falcon**  
H-E580

Historically favoured by royalty for hunting, the Peregrine Falcon has been modelled by Haddonstone to show the full power and splendour of this noble bird.

**Height:** 705mm (27¾")  
**Wing span:** 550mm (21¼")  
**Width at base:** 330mm (13")  
**Weight:** 62kg (136 lb)

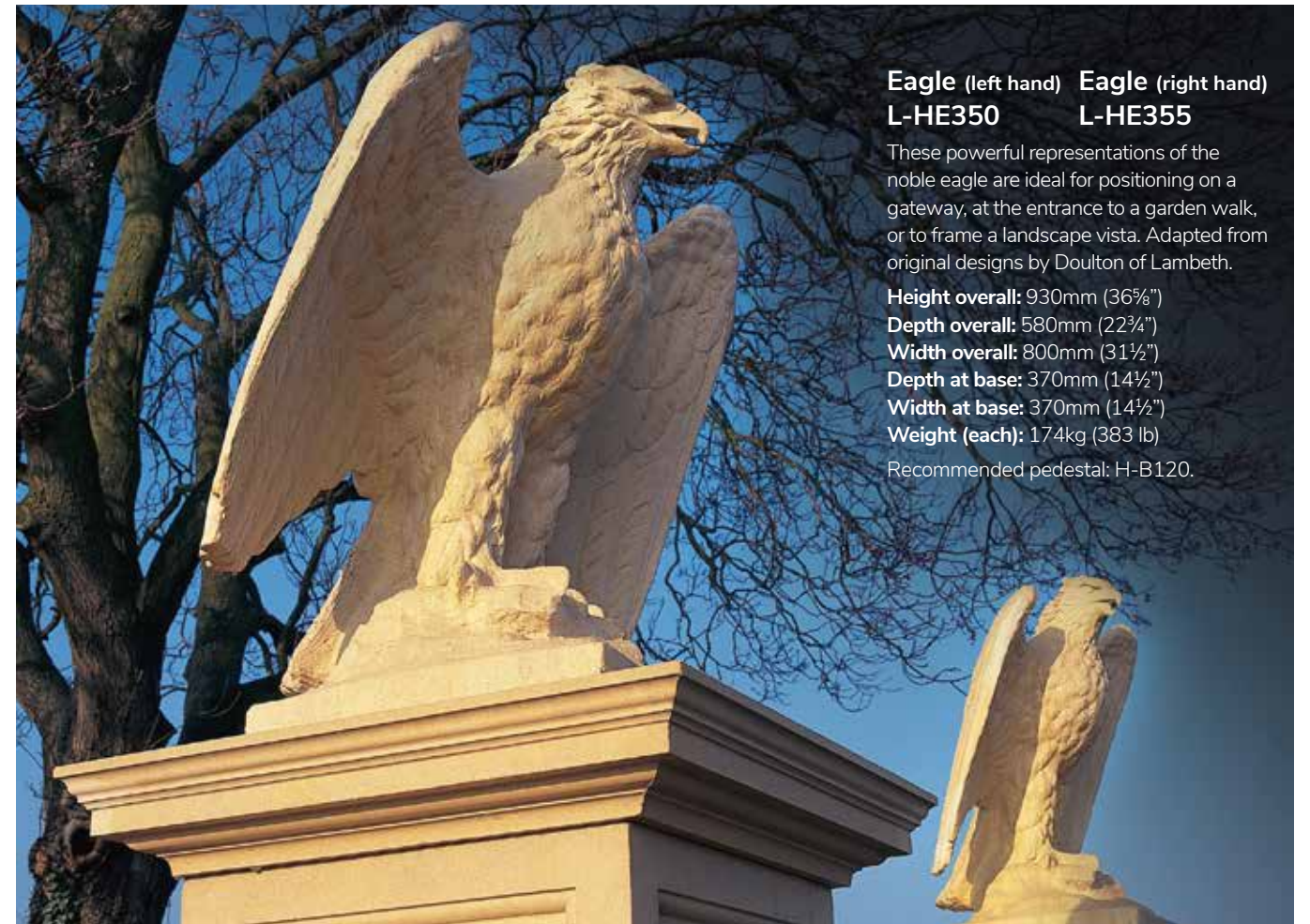


**Eagle Owl**  
H-E565

Eagle Owls are among the largest and most magnificent of the owls - noted for their large size, conspicuous ear tufts, eagle-like bills and enormously powerful talons. This Haddonstone design captures the power of this bird of prey.

**Height:** 720mm (28⅜")  
**Width at base:** 317mm (12½")  
**Weight:** 56kg (123 lb)

Recommended pedestals: H-B150, H-B331, H-B400, H-B420, H-B440.



**Eagle (left hand)**  
L-HE350

These powerful representations of the noble eagle are ideal for positioning on a gateway, at the entrance to a garden walk, or to frame a landscape vista. Adapted from original designs by Doulton of Lambeth.

**Height overall:** 930mm (36⅝")  
**Depth overall:** 580mm (22¾")  
**Width overall:** 800mm (31½")  
**Depth at base:** 370mm (14½")  
**Width at base:** 370mm (14½")  
**Weight (each):** 174kg (383 lb)

Recommended pedestal: H-B120.

**Eagle (right hand)**  
L-HE355



# Home and Garden Finials

Finials are normally used to adorn gate piers, entrances or balustrade. They provide a decorative alternative to the geometric ball and base designs (see page 66). Many of Haddonstone's finials have been replicated from notable country houses

including National Trust properties. Alongside these standard designs, Haddonstone is also able to create custom designs to meet individual requirements or to replicate an existing design as part of a restoration project.

## Swagged Adam Finial H-E740

An Adam-style finial with a scalloped lid surmounted by a naturalistic bud. The main decoration to the finial comprises drapery swags terminated with disc moulding and lion masks over a fluted body. The lid may be removed, allowing this finial to be planted during the spring and summer months. See also Swagged Adam Vase, page 17.

**Height:** 762mm (30")  
**Width overall:** 495mm (19½")  
**Width at base:** 229mm (9")  
**Weight:** 64kg (141 lb)



## Ven Finial H-E715

Replicated as part of the restoration of the William-and-Mary-style country house of Ven in Dorset.

**Height:** 826mm (32½")  
**Width overall:** 390mm (15¼")  
**Width at base:** 245mm (9¾")  
**Weight:** 43kg (95 lb)



## Vine House Finial H-E730

Sir Christopher Wren has been authoritatively associated with the original finial from which this Haddonstone design has been developed.

**Height:** 790mm (31")  
**Width overall:** 410mm (16")  
**Width at base:** 230mm (9")  
**Weight:** 45kg (100 lb)



## Margam Masked Urn H-E500

A Georgian-style urn adorned in high relief with naturalistic vines and satyr heads. Haddonstone was commissioned to restore the original urns at Margam Orangery, South Wales, as part of the British project for the 1975 European Architectural Heritage Year.

**Height:** 915mm (36")  
**Width overall:** 560mm (22")  
**Width at base:** 255mm (10")  
**Weight:** 78kg (172 lb)



## Newlands Urn H-A500

The Newlands Urn is a small, lidded urn with tongue moulding to the rim. The main decoration to the urn comprises drapery festoons terminated in ribbon knots, each supporting a bunch of fruit, all overlying a band of strong egg moulding.

**Height:** 545mm (21½")  
**Width overall:** 450mm (17¾")  
**Width at base:** 270mm (10½")  
**Weight:** 50kg (110 lb)



## Bishop's Finial H-E192

A simple decorative finial particularly suitable for pedimented porticos or pavilions.

**Height:** 660mm (26")  
**Max. width:** 209mm (8¼")  
**Weight:** 35kg (77 lb)



## Margam Swagged Urn H-E510

A very elegant Georgian urn with formal floral and lion head decoration. Originally manufactured by the illustrious Coade company. This piece was also restored for Margam Orangery, South Wales.

**Height:** 660mm (26")  
**Width overall:** 585mm (23")  
**Width at base:** 255mm (10")  
**Weight:** 75kg (165 lb)



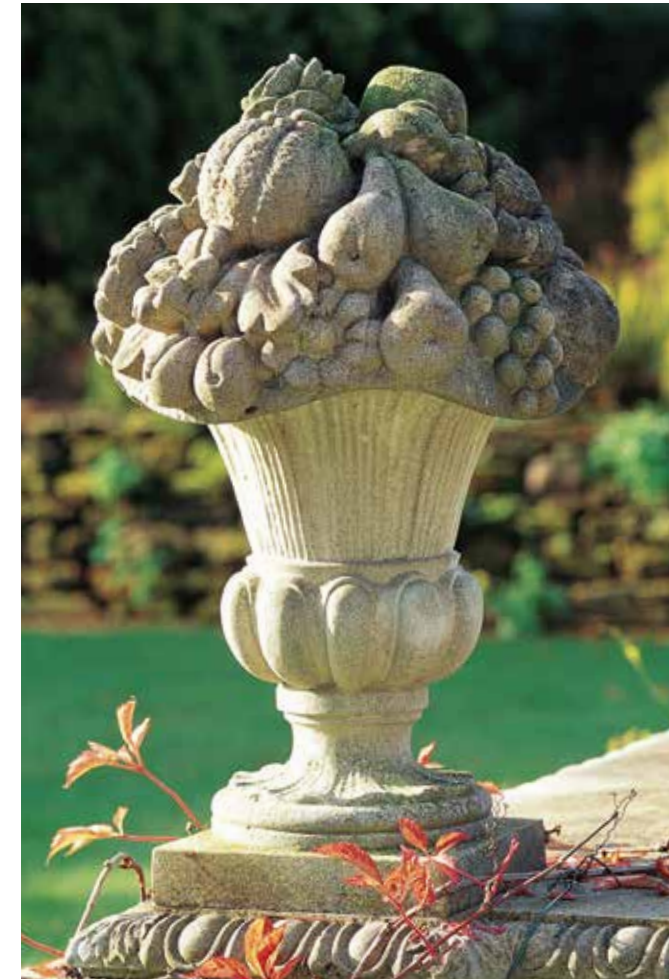
# Home and Garden Finials



**Ham House Pineapple  
H-E380**

The National Trust granted Haddonstone the right to include a perfect replica of the beautiful Coade Stone pineapples adorning the perimeter pedestals at Ham House, Richmond, in their collection.

**Height:** 820mm (32¼")  
**Width overall:** 455mm (18")  
**Width at base:** 300mm (11¾")  
**Weight:** 95kg (209 lb)



**Festoon of Fruit  
H-E230**

The Festoon of Fruit comprises a fluted vase, gadrooned stem and waved top line with a beautifully-detailed cornucopia of fruit.

**Height:** 600mm (23½")  
**Width overall:** 390mm (15½")  
**Width at base:** 230mm (9")  
**Weight:** 48kg (106 lb)



**Lyme Hall Urn  
H-E480**

This splendid ram's head finial was originally commissioned for Lyme Hall by Stockport Borough Council. It can be positioned on a pedestal or at parapet level.

**Height:** 1145mm (45")  
**Width overall:** 660mm (26")  
**Width at base:** 290mm (11½")  
**Weight:** 115kg (254 lb)



**Rugby Finial  
H-E595**

Replicated from an original for Rugby Borough Council, this finial features strong gadrooning to the body with moulded top surmounted by a flame.

**Height:** 1300mm (51¼")  
**Width overall:** 450mm (17¾")  
**Width at base:** 290mm (11½")  
**Weight:** 107kg (236 lb)



**Pineapple and Base  
H-E590**

An early XVIII century pineapple design.

**Height:** 585mm (23")  
**Width overall:** 345mm (13½")  
**Width at base:** 280mm (11")  
**Weight:** 43kg (95 lb)



**Large Basket of Fruit  
H-E220**

A naturalistic Gothic-style basket with interlaced strapwork overflowing with ripe fruits.

**Height:** 455mm (18")  
**Width overall:** 470mm (18½")  
**Width at base:** 230mm (9")  
**Weight:** 45kg (98 lb)



**Basket of Fruit  
H-E200**

This small basket with a relief basketweave pattern contains ornate and rotund fruits, and is ideal as a table centrepiece.

**Height:** 310mm (12¼")  
**Width overall:** 310mm (12¼")  
**Width at base:** 190mm (7½")  
**Weight:** 21kg (46 lb)



# Home and Garden Balls and Bases

## 6¾" Ball H-E100A & Base H-E100B

Height: 265mm (10½")  
Diameter of ball: 170mm (6¾")  
Width at base: 230mm (9")  
Weight: 10kg (22 lb)



## 8" Ball H-E105A & Base H-E100B

Height: 295mm (11¾")  
Diameter of ball: 200mm (8")  
Width at base: 230mm (9")  
Weight: 12kg (27 lb)



## 9" Ball H-E110A & Collared Base H-E110C

Height: 455mm (18")  
Diameter of ball: 230mm (9")  
Width at base: 230mm (9")  
Weight: 23kg (51 lb)



## Acanthus-Leaf Ball H-E080A & Collared Base H-E120C

Height: 620mm (24½")  
Max diameter: 400mm (15¾")  
Width at base: 330mm (13")  
Weight: 63kg (139 lb)

## 14" Ball H-E130A & Base H-E120B

Height: 595mm (23½")  
Diameter of ball: 355mm (14")  
Width at base: 330mm (13")  
Weight: 64kg (141 lb)

## Vanbrugh Ball H-E710A & Base H-E120B

Height: 560mm (22")  
Width: 370mm (14½")  
Width at base: 330mm (13")  
Weight: 59kg (130 lb)



13" Ball H-E120A & Collared Base H-E120C on Pier Cap H-S940C



Acanthus-leaf Ball H-E080A & Collared Base H-E120C on Pier Block H-S140B and Pier Cap H-S940C



Vanbrugh Ball H-E710A & Base H-E120B on Pier Cap H-S940C

## 11" Ball H-E115A & Base H-E120B

Height: 520mm (20½")  
Diameter of ball: 280mm (11")  
Width at base: 330mm (13")  
Weight: 42kg (93 lb)



## 17" Ball H-E140A & Collared Base H-E140C

Ball supplied with lifting socket.  
Height: 775mm (30½")  
Diameter of ball: 430mm (17")  
Width at base: 430mm (17")  
Weight of ball: 73kg (161 lb)  
Weight of base: 46kg (101 lb)

## 13" Ball H-E120A & Collared Base H-E120C

Height: 620mm (24½")  
Diameter of ball: 330mm (13")  
Width at base: 330mm (13")  
Weight: 58kg (128 lb)



## 21" Ball H-E150A & Collared Base H-E150C

Ball supplied with lifting socket.  
Height: 945mm (37¼")  
Diameter of ball: 535mm (21")  
Width at base: 560mm (22")  
Weight of ball: 143kg (315 lb)  
Weight of base: 82kg (181 lb)



View our range at [haddonstone.com](http://haddonstone.com)



# Home and Garden Sundials

## Baluster Sundial Plinth

L-D140 **P**

This simple baluster sundial design features cyma reversa moulding to both the square base and table. In each corner the table top has been decorated with vermiculated rustication. Please note: the table top is recessed to accommodate the Haddonstone Brass Dial and Gnomon X700 (sold separately, see below). This needs to be ordered in addition to the plinth.

**Height:** 875mm (34½")  
**Width at top:** 320mm (12½")  
**Width of base:** 320mm (12½")  
**Weight:** 51kg (112 lb)

## Baluster Sundial Plinth (Illustrated on page 70)

L-D145 **P**

As Baluster Sundial L-D140 (see above) but featuring a plain top, without recess. This allows customers to use their own circular or square sundial plate or Crescent Sundial, see page 70.



## Roman Sundial

L-HD285 **P**

Featuring a stainless steel gnomon to project a shadow across Roman numerals cast into the top.

**Height:** 670mm (26¾")  
**Diameter at top:** 375mm (14¾")  
**Width of base:** 260mm (10¼")  
**Weight:** 43kg (95 lb)



## Adam Sundial Plinth

H-D135

(for Dial and Gnomon X710)

This octagonal sundial plinth is similar to the Adam Sundial Plinth H-D130 (see page 70); however, it features a larger table for use with the large X710 Brass Dial and Gnomon (see right).

**Height:** 1070mm (42")  
**Table width:** 520mm (20½")  
**Width of base:** 430mm (17")  
**Plinth weight:** 164kg (362 lb)

## Georgian Sundial Plinth

H-D260

A beautiful baluster sundial. See right for X700 Brass Dial and Gnomon, which needs to be ordered with this plinth.

**Height:** 845mm (33¼")  
**Diameter of table:** 335mm (13¼")  
**Width of base:** 335mm (13¼")  
**Weight:** 73kg (161 lb)

## Brass Dial and Gnomon

X700

Designed exclusively for use with the Haddonstone collection of sundials, both of these beautiful solid-brass dials and gnomons feature the Haddonstone sundial verse:

"Make time, save time while time lasts.  
 All time is no time when time is past."

Note: Plinths and dials are priced separately – see price list.

**Height of gnomon:** 125mm (5")  
**Diameter of dial:** 290mm (11½")  
**Weight:** 1.1kg (2½ lb)

(for L-D140, H-D150, H-D250 & H-D260 Plinths)

## Brass Dial and Gnomon

X710

Designed exclusively for use with the Haddonstone collection of sundials, both of these beautiful solid-brass dials and gnomons feature the Haddonstone sundial verse:

"Make time, save time while time lasts.  
 All time is no time when time is past."

**Height of gnomon:** 185mm (7¼")  
**Diameter of dial:** 405mm (16")  
**Weight:** 2.7kg (6 lb)

(for H-D135 Plinth)



## Doric Sundial Plinth

H-D150

This classical design with fluted shaft and moulded capital and base looks ideal on terraces or raised platforms. Please note, the Brass Dial and Gnomon X700 (see page 68) needs to be ordered with this plinth.

**Height:** 1080mm (42½")  
**Diameter of table:** 355mm (14")  
**Width at base:** 445mm (17½")  
**Weight:** 137kg (302 lb)

## Arcadian Sundial

L-GD350

A baluster style sundial featuring a sun motif at the centre of the dial, surrounded by clouds, stars and the moon. Includes gnomon.

**Height:** 575mm (22½")  
**Max width:** 375mm (14¾")  
**Total weight:** 49kg (108 lb)  
**Heaviest component:** 35kg (77 lb)

## XVIII Century Sundial Plinth

H-D250

A well-proportioned baluster sundial with leaf design around the bowl and table. Brass Dial and Gnomon X700 (see page 68) must be ordered separately to complete the sundial.

**Height:** 990mm (39")  
**Diameter of table:** 335mm (13¼")  
**Width at base:** 455mm (18")  
**Weight:** 112kg (248 lb)



# Home and Garden Sundials

## Crescent Sundial X712

Designed and created for Haddonstone by the world-renowned David Harber workshop. The Crescent holds the gnomon, which casts a shadow onto the hour band. Engraved along the hour band is the Latin inscription "HORA QUASI UMBRA" which translates as "time is but a shadow". Manufactured in high-specification mirror polished stainless steel, the sundial is ideal for Haddonstone's Baluster Sundial Plinth L-D145 (sold separately - see right), or Georgian Sundial Plinth H-D265 (sold separately - see below).

**Height:** 280mm (11")  
**Width at base:** 215mm (8½")  
**Weight:** 3.2kg (7 lb)

## Baluster Sundial Plinth L-D145 P

As Baluster Sundial L-D140 (see page 68) but featuring a plain top, without recess. This allows clients to use their own circular or square sundial plate or Crescent Sundial (see right).

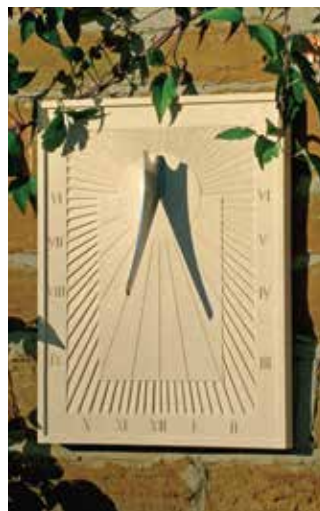
**Height:** 875mm (34½")  
**Width at top:** 320mm (12½")  
**Width of base:** 320mm (12½")  
**Weight:** 51kg (112 lb)



## Georgian Sundial Plinth H-D265

(Shown above with Crescent Sundial X712, sold separately). A beautiful baluster sundial. An elegant support that can also be used for client's own sundial.

**Height:** 845mm (33¼")  
**Table diameter:** 335mm (13¼")  
**Width of base:** 335mm (13¼")  
**Weight:** 73kg (161 lb)



## Arcadian Wall Sundial L-GD360 P

Includes gnomon. Designed for south facing walls, this decorative ornament gives an insight into the workings of a wall sundial. For ornamental use, not an indicator of time.

**Height:** 450mm (17¾")  
**Depth:** 30mm (1⅜")  
**Width:** 340mm (13⅝")  
**Weight:** 9kg (20 lb)

**Tech Sheet:** SD1, SD2



## Adam Sundial Plinth H-D130

An octagonal sundial plinth, in the style of Robert Adam, decorated with masks and margents of husks. An elegant support for client's own sundial or Armillary Sphere as illustrated.

**Height of plinth:** 1070mm (42")  
**Width of table:** 430mm (17")  
**Width of plinth base:** 430mm (17")  
**Weight of plinth:** 152kg (335 lb)



## Adam Pedestal H-B495

This stylish design, featuring a fluted shaft with palmette decoration to the base and capital. An elegant support for client's own sundial or Armillary Sphere as illustrated.

**Height:** 1087mm (42¾")  
**Width at base:** 358mm (14")  
**Width at top:** 345mm (13⅜")  
**Weight:** 123kg (271 lb)



View our range at [haddonstone.com](http://haddonstone.com)



# Home and Garden Bird Baths and Bird Tables



**Arcadian Bird Table  
L-GC353**

**Height:** 580mm (22<sup>7</sup>/<sub>8</sub>"")  
**Width at rim:** 420mm (16<sup>1</sup>/<sub>2</sub>"")  
**Weight:** 50kg (110 lb)



**Regency Bird Bath and Pedestal  
L-HC500 and L-HB330**

**Height (without pedestal):** 340mm (13<sup>1</sup>/<sub>2</sub>"")  
**Height of pedestal:** 430mm (17")  
**Width at rim of bird bath:** 510mm (20")  
**Width at base of bird bath:** 220mm (8<sup>3</sup>/<sub>4</sub>"")  
**Width at pedestal foot:** 280mm (11")  
**Weight of bird bath:** 36kg (79 lb)  
**Weight of pedestal:** 42kg (93 lb)



**Arcadian Bird Bath  
L-GC350**

**Height:** 610mm (24")  
**Width at rim:** 560mm (22")  
**Width at base:** 330mm (13")  
**Heaviest component:** 24kg (53 lb)  
**Weight:** 44kg (97lb)



**Baluster Bird Table  
L-HC334**

**Height:** 710mm (28")  
**Width at rim:** 560mm (22")  
**Weight:** 68kg (150 lb)



**Baluster Bird Bath  
L-HC335** **P**

**Height:** 710mm (28")  
**Width at rim:** 560mm (22")  
**Width at base:** 260mm (10<sup>1</sup>/<sub>4</sub>"")  
**Weight:** 58kg (128 lb)



**Figured Bird Bath  
L-TLC330**

**Height:** 725mm (28<sup>1</sup>/<sub>2</sub>"")  
**Width at rim:** 520mm (20<sup>1</sup>/<sub>2</sub>"")  
**Width at base:** 340mm (13<sup>1</sup>/<sub>2</sub>"")  
**Weight:** 75kg (165 lb)



**Georgian Bird Bath  
L-HC340**

**Height:** 915mm (36")  
**Width at rim:** 685mm (27")  
**Width at base:** 335mm (13<sup>3</sup>/<sub>4</sub>"")  
**Weight:** 91kg (200 lb)



**Highland Park Bird Bath  
L-HC345**

**Height:** 870mm (34<sup>3</sup>/<sub>4</sub>"")  
**Width at rim:** 768mm (30<sup>1</sup>/<sub>4</sub>"")  
**Width at base:** 368mm (14<sup>1</sup>/<sub>2</sub>"")  
**Weight:** 85kg (187 lb)



**Hazlewood Bird Bath  
L-HC280**

**Height:** 850mm (34")  
**Width at rim:** 585mm (23")  
**Width at base:** 380mm (15")  
**Weight:** 76kg (167 lb)



# Home and Garden Garden Furniture

## Dolphin Table Top H-D470

## Dolphin Supports H-D475

This beautiful Dolphin Table features a rectangular top with egg and dart moulded border and twin stylised dolphin supports with raised tails and rectangular bases. Shown with Basket of Fruit H-E200 (see page 65). The Dolphin Supports, which feature an intricate scaled design on the top, are also suitable to use as an interior table with a glass top (not supplied).

**Length of top:** 1500mm (59")  
**Width of top:** 855mm (33½")  
**Thickness of top:** 80mm (3⅛")  
**Length of support at top:** 550mm (21¾")  
**Width of support at top:** 180mm (7")  
**Weight of top:** 177kg (390 lb)  
**Length of support at base:** 660mm (26")  
**Width of support at base:** 180mm (7")  
**Weight of support (each):** 90kg (198 lb)



## Circular Table Top H-D450

This table features a circular top with a simple decorated centre panel and moulded edging. This can be mounted on four H-D460 Lion Supports.

**Diameter:** 1370mm (54")  
**Thickness:** 80mm (3⅛")  
**Weight:** 186kg (410 lb)

## Lion Support H-D460

**Height:** 710mm (28")  
**Width at base:** 290mm (11½")  
**Weight:** 45kg (99 lb) each

## Scrolled Bench Seats **P**

Bench seats with vine and scrollwork supports, available in straight and curved form. The standard curved and straight sections can be arranged in various combinations to suit individual requirements; the standard combinations are shown in the Seat Data table below.

**Overall height of seat:** 457mm (18")  
**Width of seat top:** 405mm (15⅝")  
**Lengths and weights:** (see table)



L-HD311 Straight 51" Bench Seat including 2 Scrolled Seat Supports



L-HD332 Double Curved 54" Bench Seat including 5 Scrolled Seat Supports



L-HD321 Curved 52" Bench Seat including 3 Scrolled Seat Supports

Scrolled Bench Seat Data							
Type	Code	Supports Required (L-HD400A)	Length/Outer Girth (excluding joints)	Outer Chord	Radius		Overall Weights (Supports 25kg each)
					Inner	Outer	
Single 51" Straight	L-HD311	2	1295mm (51")	N/A	N/A	N/A	135kg (297 lb)
Single 52" Curved	L-HD321	3	1380mm (54¼")	1320mm (52")	920mm (36¼")	1325mm (52¼")	156kg (344 lb)
Single 54" Curved	L-HD331	3	1400mm (55")	1365mm (54")	1385mm (54½")	1790mm (70½")	160kg (352 lb)
Double 54" Curved	L-HD332	5	2800mm (110¼")	N/A	1385mm (54½")	1790mm (70½")	295kg (650 lb)
Single 60" Curved	L-HD341	3	1540mm (60½")	1525mm (60")	3100mm (122")	3505mm (138")	171kg (377 lb)

**IMPORTANT INSTALLATION DETAILS** It is essential that your Haddonstone seat or table is sited on a firm and level area. Although the top is reinforced, it may crack if subjected to a pivoting or twisting strain. An 8 to 1 sand/cement bedding mortar must be used to ensure that each support bears an equal weight, whether between stone components or between stone and floor. The properties of this mixture give a secure hold that can be broken without difficulty if the seat or table has to be re-sited. We cannot accept responsibility for breakage if this instruction is ignored.



# Home and Garden Garden Furniture

## Egg and Dart Seat Tops

A range of ornate bench seat tops decorated with an egg and dart design with a leaf motif to each corner. Designed specifically for use with the L-HD405 Chimera Seat Support, they may also be used with the L-HD400 Support.



L-HD421 Straight 51" Egg and Dart Bench Seat including 2 Chimera Seat Supports



L-HD431 Curved 47" Egg and Dart Bench Seat including 3 Chimera Seat Supports

Egg and Dart Seat Data

Type	Code	Supports Required (L-HD405A)	Length/Outer Girth	Outer Chord	Radius		Overall Weights (Supports 25kg each)
					Inner	Outer	
Straight 51"	L-HD421	2	1295mm (51")	N/A	N/A	N/A	140kg (308 lb)
Curved 47"	L-HD431	3	1240mm (48 7/8")	1190mm (46 7/8")	845mm (33 3/8")	1250mm (49 1/4")	163kg (359 lb)



## Straight 51" Bench Seat (including 2 Spartan Seat Supports) L-HD313

This simple but stylish 51" cast stone straight bench seat includes two plain Spartan Seat Supports and is extremely easy to install.

## Hadrian Seat T-HD520 P

An elegant bench seat of modest proportions incorporating a panelled back, scrolled arm rests, chimera supports and an egg and dart seat top. Rebates are provided for fixings (not supplied), required if used in a public area only. Personalisation possible, see page 117. T-HD525 version also available, featuring Scrolled Supports based on L-HD400A design, see page 75.

**Height:** 850mm (33 1/2")  
**Length:** 1335mm (52 1/2")  
**Depth:** 495mm (19 1/2")  
**Weight:** 269kg (593 lb)  
**Tech Sheet:** M73, M74



## Raphael Seat (including Ram Supports) H-D510

Designed for a livery company in the City of London. Using four rams couchant, this is an interesting variation on the original Raphael Seat. For dimensions see Raphael Seat H-D500 below.

**Tech Sheet:** M70, M71



## Raphael Seat H-D500

The imposing Raphael Seat incorporates decorative panels thought to be inspired by Raphael's grotesque decorations in the Vatican with both Etruscan and early English Renaissance influences.

**Height:** 1194mm (47")  
**Length:** 2217mm (87 1/2")  
**Depth:** 609mm (24")  
**Weight:** 875kg (1930 lb)  
**Tech Sheet:** M70, M71





# Home and Garden Centrepiece Fountains



## Single Dolphin Fountain L-HC171

**Height:** 740mm (29½")  
**Weight:** 25kg (55 lb)  
Recommended Pump: X210.  
**Tech Sheet:** F40



## Water Nymph T-HC390

This charming design features a water nymph in a classical pose. The fountain can be positioned either adjacent to a pool or used as a centrepiece. Can be supported on an H-A240 Corredo Plinth, see page 28.  
**Height:** 1005mm (39½")  
**Base diameter:** 435mm (17½")  
**Weight:** 135kg (297 lb)  
Recommended pump: X210.  
**Tech Sheet:** F40



## Large Dolphin Fountain H-C172

In ancient mythology, the dolphin often appears as an attribute of Neptune, the Roman god of the sea. This piece was inspired by early XVI century Italianate designs. For pedestal see H-S310S string on page 139.  
**Height:** 905mm (35½")  
**Length overall:** 700mm (27½")  
**Width overall:** 670mm (26½")  
**Weight:** 94kg (207 lb)  
Recommended pump: X220.  
**Tech Sheet:** F45



## Lion Fountain H-C300

The lion sejant shown as a fountain with water spouting from its mouth. It is mounted on a waisted octagonal base. Also available as a finial, see page 61.  
**Height of lion:** 610mm (24")  
**Height of base:** 280mm (11")  
**Width at lion base:** 280mm (11")  
**Width at base:** 355mm (14")  
**Weight of lion:** 36kg (79 lb)  
**Weight of base:** 31kg (68 lb)  
Recommended pump: X210.  
**Tech Sheet:** F40



## West Lodge Fountain L-HC780

Replicated for the West Lodge Park Hotel in Hertfordshire, this elegant fountain is ideal for use as a centrepiece in a small pool. For West Lodge Urn see page 11.  
**Height:** 527mm (20¾")  
**Width overall:** 660mm (26")  
**Width at base:** 273mm (10¾")  
**Weight:** 74kg (163 lb)  
Recommended pump: X210.  
**Tech Sheet:** F40



## Italianate Fountain L-TLHC610

The impressive new Italianate Fountain is ideal for a large pool where a high jet of water can be achieved. Incorporating three entwined dolphins supporting a gadrooned bowl with an egg-and-dart rim, the design is recreated from a Victorian cast iron design by the famous Handyside Foundry in Derby.  
**Height:** 1185mm (46½")  
**Top width:** 985mm (38¾")  
**Base width:** 585mm (23")  
**Weight:** 238kg (524 lbs)  
Recommended pump: X220.  
**Tech Sheet:** F95



## Neapolitan Fountain H-C3700

An ornate fountain featuring a Boy-Holding-Dolphin-Centrepiece, the dolphin's mouth being the fountain head. Supported by an ornate base, the fountain bowl is the shape of a round shell.  
**Height of shell:** 255mm (10")  
**Overall height:** 1395mm (55")  
**Width of shell:** 955mm (37½")  
**Width of base:** 495mm (19½")  
**Weight:** 210kg (463 lb)  
Recommended pump: X220.  
**Tech Sheet:** F30



## Boy-Holding-Dolphin-Centrepiece L-C370A

**Height:** 510mm (20")  
**Width at base:** 180mm (7")  
**Weight:** 15kg (33 lb)  
Recommended pump: X201.



## Small Neapolitan Fountain H-C3750

This charming small fountain features an ornate shell bowl with a naturalistic bud fountain head. Ideal for use as a centrepiece in a small pool.  
**Overall height:** 655mm (25¾")  
**Width of shell:** 460mm (18")  
**Width of base:** 250mm (9⅞")  
**Weight:** 36kg (79 lb)  
Recommended pump: X201.  
Optional pump housing: T-HC360L.  
**Tech Sheet:** F53

**GENERAL NOTE** Simple precautions should be taken to avoid frost damage to fountains. Water should be drained off before winter every year and not replaced until spring when any risk of hard frost has passed.



# Home and Garden Centrepiece Fountains



## Neapolitan Small Double Fountain H-C3650

Formed by two ornate shell bowls and pedestals with a naturalistic bud fountain head, this fountain is ideal as a centrepiece for the Small Pool.

**Overall height:** 1175mm (46¼")  
**Upper shell width:** 460mm (18")  
**Lower shell width:** 680mm (26¾")  
**Width of base:** 325mm (12¾")  
**Weight:** 99kg (218 lb)

Recommended pump: X210.

Optional pump housing:  
T-HC360H.

**Tech Sheet:** F52

## Eton College Fountain H-C3600

The original for this exquisite triple fountain stood in the Cloister Court of Eton College, Windsor. The badly-eroded original has now been replaced by a Haddonstone replica to restore this feature to its former glory. The fountain comprises ornate pedestals supporting three decorative shell bowls surmounted by a naturalistic bud. Suitable for a Medium or Large Pool.

**Overall height:** 1860mm (73¼")  
**Upper shell width:** 460mm (18")  
**Middle shell width:** 680mm (26¾")  
**Lower shell width:** 955mm (37⅞")  
**Base width:** 495mm (19½")  
**Weight:** 269kg (593 lb)

Recommended pump: X230.

**Tech Sheet:** F50



## Neapolitan Large Double Fountain H-C3550

A large double fountain with ornate shell bowls and pedestals supporting an entwined triple-dolphin centrepiece. Suitable for a Medium Pool.

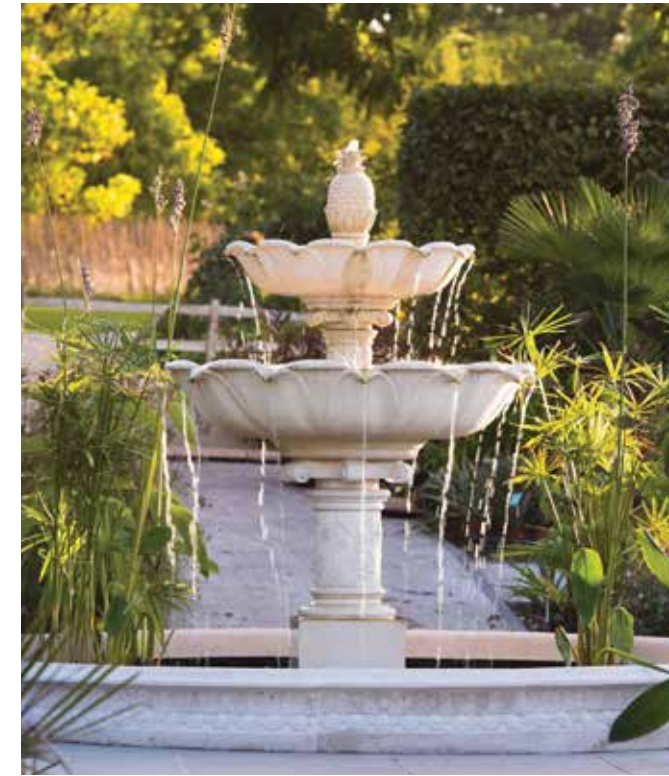
**Overall height:** 1705mm (67⅞")  
**Upper shell width:** 680mm (26¾")  
**Lower shell width:** 955mm (37⅞")  
**Base width:** 495mm (19½")  
**Weight:** 262kg (578 lb)

Recommended pump: X230.

**Tech Sheet:** F51



**GENERAL NOTE** Simple precautions should be taken to avoid frost damage to fountains. Water should be drained off before winter every year and not replaced until spring when any risk of hard frost has passed.



## RHS Wisley Exotic Garden Fountain T-HC3511

Incorporating stylised passion flower designs to the pedestals and surmounted by a custom made pineapple finial, this striking design was commissioned by the Royal Horticultural Society for their acclaimed new Exotic Garden at Wisley which opened in 2017. Based on the existing Double Lotus Fountain, for dimensions see below.

Recommended pump: X230.

**Tech Sheet:** F72



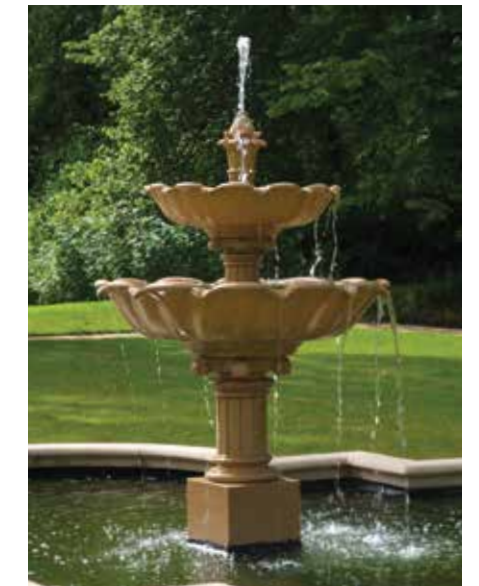
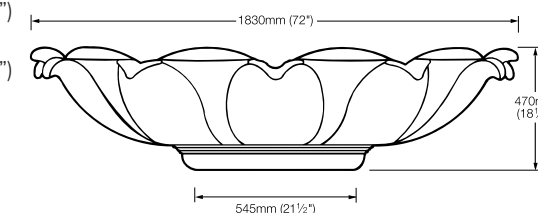
## Lotus Bowl on Pedestal T-HC350, T-HD2900 or T-HD2901

The Lotus Bowl makes a spectacular fountain. It may be combined with three dolphins as its centrepiece and mounted on a Doric pedestal (T-HD2900 or T-HD2901). (For Triple Dolphin Fountain L-C1700 and Pedestal L-C180, see page 83.)

**T-HC350 Weight:** 690kg (1520 lb)  
**T-HD2900 Height:** 1084mm (42¾")  
**T-HD2900 Weight:** 181kg (399 lb)  
**T-HD2901 Height:** 1190mm (46⅞")  
**T-HD2901 Weight:** 194kg (427 lb)

**Tech Sheet:** F20, F21

Please note: will require mechanical lifting on site in all instances.



## Double Lotus Fountain T-HC3510

Incorporating the top two tiers of the Triple Lotus Fountain, see page 82.

**Overall height:** 1692mm (66⅝")  
**Diameter of upper bowl:** 800mm (31½")  
**Diameter of lower bowl:** 1200mm (47¼")  
**Width of base:** 334mm (13¼")  
**Weight:** 367kg (808 lb)

Recommended pump: X230.

**Tech Sheet:** F72

**GENERAL NOTE** For Lotus Bowl Fountains: these large pieces of masonry are a composite material of crushed limestone and stainless steel reinforcement. They can sometimes suffer from stress induced superficial cracks, due to their shape and size. These cracks will not impact on the long term durability of the product and will selfheal with a chemical process called autogenous healing.



# Home and Garden Centrepiece Fountains



**Triple Lotus Bowl Fountain  
T-HC3500**

Each bowl of this powerful triple-tiered fountain is supported by fluted pedestals featuring stylised Ionic capitals with the top bowl surmounted by a naturalistic bud. Ideal for use as a centrepiece to Haddonstone's L, XL and XXL pool surrounds, see page 86.

**Overall Height:** 2777mm (109¾")  
**Width of base:** 500mm (19¾")  
**Upper bowl diameter:** 800mm (31½")  
**Middle bowl diameter:** 1200mm (47¼")  
**Lower bowl diameter:** 1830mm (72")  
**Weight:** 1300kg (2863 lb)

Recommended pump: X240

Lower bowl will require mechanical lifting on site in all instances.

**Tech Sheet:** F70, F71



**Quadruple Lotus Bowl Fountain  
T-HC358**

This imposing four-tiered fountain is supported by fluted pedestals with stylised Ionic capitals. The top bowl is surmounted by a naturalistic bud. Shown in an XXL Pool Surround. Bottom bowl supplied in two segments.

**Overall height:** 4470mm (176")  
**Upper bowl diameter:** 800mm (31½")  
**Second bowl diameter:** 1200mm (47¼")  
**Third bowl diameter:** 1830mm (72")  
**Bottom bowl diameter:** 2746mm (108")  
**Weight:** 4345kg (9579 lb)

Pump to be supplied by others.

Requires mechanical lifting in all instances.

**Tech Sheet:** F85, F86, F87, F88, F89



**Fontainebleau Fountain  
L-C230**

Shown on Large Winslow Pedestal. For Fontainebleau Urn H-A300, see page 19.

**Height:** 635mm (25")  
**Width at top:** 915mm (36")  
**Width at base:** 470mm (80½")  
**Weight:** 183kg (403 lb)

Recommended pump: X220.

**Tech Sheet:** F80



**Regency Fountain  
L-HC510**

Shown with non-standard jet. Can be elevated to give additional prominence on pedestal L-HB330. Suitable for a Small Pool.

**Height:** 340mm (13½")  
**Width at rim:** 510mm (20")  
**Width at base:** 220mm (8¾")  
**Weight:** 36kg (79 lb)

Recommended pump: X210.

**Regency Pedestal  
(illustrated on page 45)  
L-HB330**

**Height:** 430mm (17")  
**Width at top:** 220mm (8¾")  
**Width at base:** 280mm (11")  
**Weight:** 42kg (93 lb)



**Eastwell Fountain  
L-TLC200**

See also, the Eastwell Urn H-A260 on page 14. Can be elevated to give additional prominence on Winslow Pedestal, see page 44 the pedestal page. Suitable for a Small Pool.

**Height:** 595mm (23½")  
**Width at top:** 785mm (31")  
**Width at base:** 350mm (13¾")  
**Weight:** 104kg (229 lb)

Recommended pump: X210.



**Figured Fountain  
H-C220**

Shown raised on an optional Jacobean Pedestal H-B150 (see page 46) to create a stunning centrepiece fountain.

**Height:** 710mm (28")  
**Bowl diameter:** 520mm (20½")  
**Weight:** 73kg (161 lb)

Recommended pump: X220.



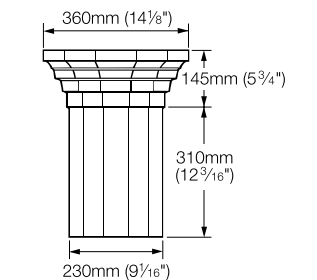
**Triple Dolphin Fountain  
L-C1700  
including Pedestal  
L-C180**

Three dolphins set on a pedestal as a fountain centrepiece. See Lotus Bowl T-HC350 page 81.

**Dolphin height:** 510mm (20")  
**Dolphin weight:** 15kg (33 lb)  
**Pedestal weight:** 35kg (77 lb)

Recommended pump: X220.

**Tech Sheet:** F22



**GENERAL NOTE** For Lotus Bowl Fountains: these large pieces of masonry are a composite material of crushed limestone and stainless steel reinforcement. They can sometimes suffer from stress induced superficial cracks, due to their shape and size. These cracks will not impact on the long term durability of the product and will selfheal with a chemical process called autogenous healing.

**GENERAL NOTE** Simple precautions should be taken to avoid frost damage to fountains. Water should be drained off before winter every year and not replaced until spring when any risk of hard frost has passed.



# Home and Garden Pool Surrounds

Haddonstone pool surrounds are available in numerous combinations of kerb, vase and plinth sections to suit individual requirements. There are six standard sizes: HALF SMALL, SMALL, MEDIUM, LARGE, EXTRA LARGE and EXTRA EXTRA LARGE.

Straight pool components, including corners, are also available:  
**Tech Sheet:** P60 & P50

Stonework installation kits are available for all standard Pool Surrounds, see price list for details.

The vase section, which is in the shape of a conch shell, flanked by two dolphins, is supported by a base decorated with palmettes and scrolls. It can be used as a fountain, a planter, or both.

The kerb section has a continuous moulding enriched with ovolo and palmette designs.

The plinth lends appeal to the overall appearance of the pool, raising it from ground level.

Tech Sheets for pool assembly and recommended plumbing layout drawings are available on request. Plumbing Tech Sheets are:

**Tech Sheet:** P42 for Half Small Pool

**Tech Sheet:** P12 & P41 for Small Pool

**Tech Sheet:** P11 & P12 for M, L, XL & XXL

For details of centrepiece fountains, see pages 78-83.

Glass fibre pool liners are available for the Half Small and Small pools only. Larger pools should be lined with a waterproofed render. Both are shown as typical sections, see page 85. Alternatively butyl liners may be used.

Please note that the use of a shallow liner in a Small or Half Small pool precludes the plumbing of vases. A plinth course is required to allow the use of a shallow liner.

Typical average weights:  
Kerb sections: 31kg (68 lb)  
Vase sections: 40kg (88 lb)  
Kerb plinth: 31kg (68 lb)  
Vase plinth: 50kg (110 lb)

Simple precautions should be taken to avoid frost damage to fountains. Water should be drained off before winter every year and not replaced until spring when any risk of hard frost has passed.



Half-Small Pool Surround H-C4HSKV illustrated without plinths (internal diameter 1780mm, 70") showing Lion Wall Fountain.  
**Tech Sheet:** P40

## PUMPS AND PLUMBING

### Pool surrounds

Pumps and plumbing extra – see price list.

### Centrepiece and wall fountains, excluding Haddonstone Wall Fountain

Plumbing included. Pumps extra – see price list.

### Self-circulating fountains, including Haddonstone Wall Fountain

Pumps and plumbing included.

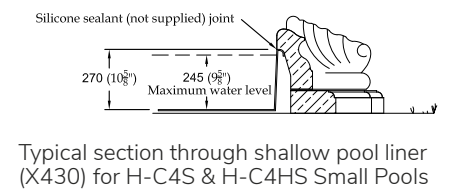
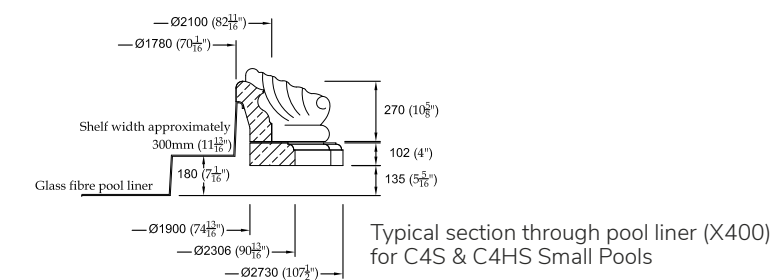
**Please note:** Haddonstone's plumbing kits do not necessarily produce the effects shown in the brochure. Details of standard and special effect fountain jets are available on request.



Small Pool Surround H-C4SKP (internal diameter 1780mm, 70") showing Small Neapolitan Double Fountain.  
**Tech Sheet:** P40



Medium Pool Surround H-C4MKVP (internal diameter 2705mm, 106¼") showing Neapolitan Fountain. **Tech Sheet:** P30, P50



Liner capacity when filled to maximum water level:

<b>X400</b> Pool Surrounds: Small, Roman Small, Torus	910 lts (240 gallons)
<b>X430</b> Pool Surrounds (shallow): Small, Roman Small, Torus	425 lts (112 gallons)
<b>X410</b> Pool Surrounds: Half Small, Roman Half Small Pool	680 lts (180 gallons)
<b>X425</b> Pool Surrounds (shallow): Half Small, Roman Half Small Pool	340 lts (90 gallons)



# Home and Garden Pool Surrounds



Large Pool Surround H-C4LKVP (internal diameter 3660mm, 144") showing Figured Fountain and Jacobean Pedestal with special effect fountain jet. **Tech Sheet:** P20, P50



Extra Large Pool Surround H-C4XLKP illustrated without vases (internal diameter 5450mm, 214½") showing Triple Lotus Bowl Fountain. **Tech Sheet:** P10, P50



Extra Extra Large Pool Surround H-C4XXLKP illustrated without vases (internal diameter 7500mm, 295") showing Triple Dolphin Fountain and Pedestal in Lotus Bowl with special effect fountain jet. **Tech Sheet:** P80, P50



Detail of a pool showing Haddonstone straight and outside corner pool sections featuring non-standard dolphin fountains. Straight kerb and plinth sections are supplied in 660mm (26") lengths. Inside and outside corners, vases and plinths are also available.

**Tech Sheet:** P60



Pool and planting display using standard small and large Haddonstone pool surrounds.



Torus Pool Surround showing West Lodge Fountain.

Pool Type	Inside Diameter	Outside Diameter Kerb *	Outside Diameter Kerb Plinth **	With Vase Sections					Without Vase Sections			Pool Liner Available	
				H-C400 Kerb	H-C420 Vase	H-C440 Kerb Plinth	H-C441 Half Plinth	H-C460 Vase Plinth	Weight	H-C400 Kerb	H-C440 Kerb Plinth		Weight
H-C4HS Half Small Pool	1780mm (70")	2100mm (82¾")	2306mm (90¾")	4	2	1	2	2	408kg (900 lb)	5	4	310kg (684 lb)	Yes
H-C4S Small Pool	1780mm (70")	2100mm (82¾")	2306mm (90¾")	8	4	4	-	4	817kg (1800 lb)	10	8	620kg (1367 lb)	Yes
H-C4M Medium Pool	2705mm (106½")	3025mm (119¼")	3235mm (127½")	12	6	6	-	6	1078kg (2376 lb)	15	12	809kg (1784 lb)	No
H-C4L Large Pool	3660mm (144")	3980mm (156¾")	4190mm (165")	16	8	8	-	8	1303kg (2872 lb)	20	16	958kg (2112 lb)	No
H-C4XL Extra Large Pool	5450mm (214½")	5770mm (227¼")	5980mm (235½")	24	12	12	-	12	1968kg (4338 lb)	30	24	1506kg (3320 lb)	No
H-C4XXL Extra Extra Large Pool	7500mm (295")	7820mm (308")	8030mm (316")	28	14	14	-	14	2587kg (5703 lb)	35	28	1974kg (4352 lb)	No

\* Excludes Vases \*\* Excludes Vases and Vase Plinths. Refer to Technical Sheets for details.

## Torus Pool Surround T-HC485

A simple bull-nosed pool surround which can be used in conjunction with a Haddonstone standard Pool Liner and paving or flooring. Ideal for contemporary garden designs.

**Internal diameter:** 1720mm (67¾")  
**External diameter:** 2320mm (91¾")  
**Thickness:** 50mm (2")  
**Weight (per slab):** 25kg (55 lb)  
**Total weight:** 200kg (440 lb)



# Home and Garden Pool Surrounds



Roman Pool Surround (Small) H-C470S showing Eastwell Fountain, with special effect jet.



Small Pool Kerbs and Plinths only, shown with Neapolitan Small Double Fountain H-C3650.

## Roman Pool Surround

This design extends the range of Haddonstone's pool surrounds. The design features a bold roll moulding and the flat coping forms a low sitting place. Also available are straight and corner stones allowing pools of differing shapes to be made. Glass fibre pool liners are available for the Half Small and Small pools only.

**Height:** 380mm (15")

**Internal radius:** 900mm (35½")

**Ext. radius (base):** 1080mm (42½")

**H-C470S weight:** 788kg (1738 lb)

**H-C470HS weight:** 394kg (869 lb)

Roman Pool Type	Inside Diameter (Base)	Outside Diameter (Base)	H-C470 Kerb Sections	Weight	Pool Liner Available	Tech Sheet
H-C470HS Half Small Pool	1800mm (70⅞")	2160mm (85")	5	394kg (869 lb)	Yes	TS P100
H-C470S Small Pool	1800mm (70⅞")	2160mm (85")	10	788kg (1738 lb)	Yes	TS P100
H-C470M Medium Pool	2770mm (109⅞")	3100mm (122")	15	1095kg (2412 lb)	No	TS P110
H-C470L Large Pool	3470mm (136⅞")	3800mm (149⅞")	18	1350kg (2974 lb)	No	TS P115

### Roman Pool Straight Stone H-C4706

**Height:** 380mm (15")

**Length:** 500mm (19¾")

**Weight:** 64kg (141 lb)

### Roman Pool Outside Corner Stone H-C4707

**Height:** 380mm (15")

**Length:** 250mm (9¾")

**Weight:** 45kg (99 lb)

### Roman Pool Inside Corner Stone H-C4708

**Height:** 380mm (15")

**Outside base length:** 415mm (16¼")

**Weight:** 90kg (198 lb)



## Jubilee Pool Surround (in eight sections) H-C4801

This design is intended to provide a simple surround for smaller water features.

It can sit on an existing terrace or patio as it requires no additional excavation. Illustrated with the H-C3750 Small Neapolitan Fountain centrepiece (see page 79).

**Height:** 215mm (8½")

**Base diameter:** 1470mm (57⅞")

**Weight:** 212kg (467 lb)

Compatible with the X440 fibreglass circular pool liner.

**Tech Sheet:** P95, P96



## Home and Garden Garden Lighting



### Transformer (Driver) and 3 x LED Lights X550

This transformer (driver) enables the connection of 3 x LED lights for submerged lighting, which creates drama, mood and emotion.

**Weight:** 4kg (9 lb)



Illuminated Triple Lotus Bowl Fountain T-HC3500 in Jakarta, Indonesia.



View our range at [haddonstone.com](http://haddonstone.com)



# Home and Garden Self Contained Fountains

## Small Lagoon Fountain (not illustrated) T-HC380

## Lagoon Fountain T-HC383

## Large Lagoon Fountain (not illustrated) T-HC385

These impressive self-circulating fountains would add style to either a private garden or a commercial project. These designs are also available as planters, see page 38.

	T-HC380	T-HC383	T-HC385
<b>Height:</b>	600mm (23 <sup>5</sup> / <sub>8</sub> "")	600mm (23 <sup>5</sup> / <sub>8</sub> "")	600mm (23 <sup>5</sup> / <sub>8</sub> "")
<b>Top width:</b>	1220mm (48")	1570mm (61 <sup>3</sup> / <sub>4</sub> "")	1775mm (69 <sup>7</sup> / <sub>8</sub> "")
<b>Width at base:</b>	685mm (27")	1035mm (41")	1240mm (49")
<b>Weight:</b>	535kg (1178 lb)	857kg (1888 lb)	1092kg (2405 lb)



## Versailles Fountain L-TLHC800

The design for this self-circulating fountain was inspired by the fountains within the renowned Bosquet de la Colonnade at Versailles. Ideally suited for interior and exterior settings ranging from terraces and kitchen gardens to conservatories and hotel foyers. Includes pump.

**Height:** 390mm (15<sup>3</sup>/<sub>8</sub>"")  
**Width of bowl:** 913mm (36")  
**Overall width of base:** 675mm (26<sup>1</sup>/<sub>2</sub>"")  
**Weight:** 102kg (225 lb)  
**Tech Sheet:** F75

**Tech Sheet:** F90.

Please note: All Lagoon Fountains will require mechanical lifting on site in all instances.



## Romanesque Fountain L-TLHC521

Adapted from the Romanesque Bowl (see page 27), this low-level fountain bowl can provide an attractive self-circulating water feature to decorate any small interior or exterior setting. Includes pump.

**Height:** 348mm (13<sup>1</sup>/<sub>16</sub>"")  
**Diameter:** 815mm (32")  
**Width at base:** 435mm (17<sup>1</sup>/<sub>8</sub>"")  
**Weight:** 67kg (148 lb)

**Tech Sheet:** F75

## Romanesque Pedestal L-TLB500

A simple, circular pedestal that both complements and moderately elevates the Romanesque Fountain and the Romanesque Bowl, providing greater prominence and visibility. Suitable for elevating fountains, urns and statues with a base exceeding 315 mm / 12<sup>1</sup>/<sub>2</sub>" due to its pre-cut round hole.

**Height:** 400mm (15<sup>3</sup>/<sub>4</sub>"")  
**Weight:** 70kg (154 lbs)  
**Width at top:** 445mm (17<sup>1</sup>/<sub>2</sub>"")  
**Width at base:** 480mm (19")

**Tech Sheet:** F76

## Romanesque Fountain with Circular Disc L-TLHC522

An alternative option to our popular cast stone Romanesque Fountain, this stylish design features a moulded circular disc which creates a gentle rippling effect.

**Height:** 348mm (13<sup>1</sup>/<sub>16</sub>"")  
**Diameter:** 815mm (32")  
**Width at base:** 435mm (17<sup>1</sup>/<sub>8</sub>"")  
**Weight:** 99kg (218 lb)



## Arcadian Double Fountain L-GC300

An attractive contemporary style fountain that is ideal for patios and courtyards. This fountain will need topping up periodically. Includes pump.

Please note – A small cut out is visible in the upper shaft to allow access to the pump.

**Height:** 1155mm (45<sup>1</sup>/<sub>2</sub>"")  
**Max width:** 845mm (33<sup>3</sup>/<sub>4</sub>"")  
**Heaviest component:** 73kg (161 lb)  
**Total weight:** 170kg (374 lb)

**Tech Sheet:** F145



## Bayeux Fountain L-HC130

Inspired by Romanesque architecture, this robust self-circulating fountain features stylish leaf moulding around the fountain bowls. See page 101 for Bayeux Wall Fountain. Includes pump.

**Overall height:** 1525mm (60")  
**Base diameter:** 572mm (22<sup>1</sup>/<sub>2</sub>"")  
**Max diameter:** 950mm (37<sup>3</sup>/<sub>8</sub>"")  
**Heaviest component:** 103kg (227 lb)  
**Total weight:** 230kg (507 lb)

**Tech Sheet:** F63



## Napoli Fountain L-HC395

Inspired by the popular Neapolitan centrepiece fountains, Haddonstone has created this self-circulating fountain in the same Italianate style. Water cascades from a naturalistic bud into the top bowl before dropping to the bottom bowl. Ideal for use as a focal point in a small garden or patio. Please note, will need topping up periodically. Includes pump.

**Height:** 1305mm (51<sup>3</sup>/<sub>8</sub>"")  
**Width at base:** 495mm (19<sup>1</sup>/<sub>2</sub>"")  
**Max width:** 955mm (37<sup>3</sup>/<sub>8</sub>"")  
**Heaviest component:** 79kg (174 lbs)  
**Total weight:** 183kg (403 lbs)

**Tech Sheet:** F55

**GENERAL NOTE** Simple precautions should be taken to avoid frost damage to fountains. Water should be drained off before winter every year and not replaced until spring when any risk of hard frost has passed.



# Home and Garden Self Contained Fountains

## Andalos Fountain L-HC100

The twelve-sided bowl displays a hexagonal Arabesque decoration, whilst the hexagonal base has a twelve-sided decoration. Rhythmical repetition of horseshoe arches suggests the fountain could have originated in a mosque complex. Includes pump. Andalos Jardiniere available, see page 27.

**Height:** 770mm (30¾")  
**Width at rim:** 725 mm (28½")  
**Width at base:** 560mm (22")  
**Weight:** 171kg (377 lbs)



## Gothic Fountain with Lion Centrepiece T-HC253

**Upper Base (optional)  
T-HA350**

The design comprises a self-circulating Gothic octagonal fountain containing a unique lion head centrepiece. Supplied with offset cable hole, pump and plumbing. Shown here on an optional Upper Base, supplied in four sections.

**Fountain width:** 800mm (31½")  
**Fountain with Lion Centrepiece overall height:** 1030mm (40½")  
**Fountain with Lion Centrepiece weight:** 271kg (597 lbs)  
**Upper Base width:** 1092mm (43")  
**Upper Base height:** 89mm (3½")  
**Upper Base weight:** 128kg (282 lbs)  
**Tech Sheet:** F75

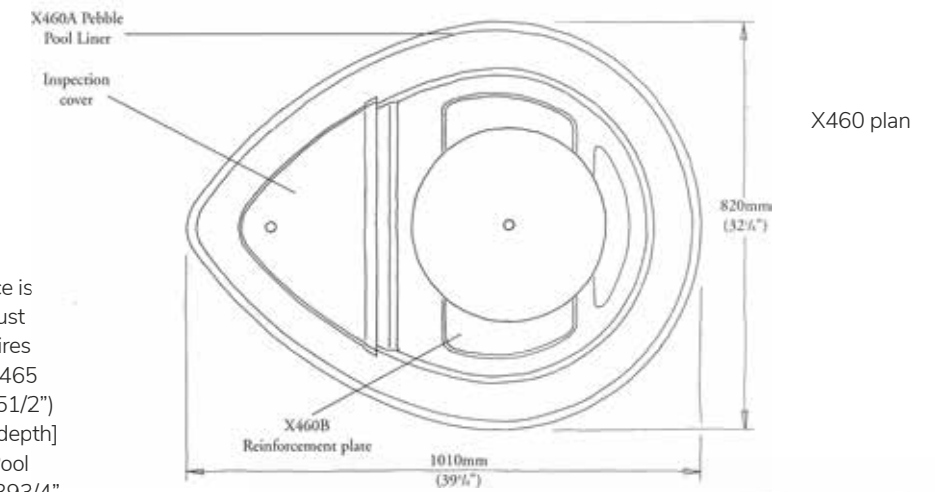


## Gothic Fountain T-HC251

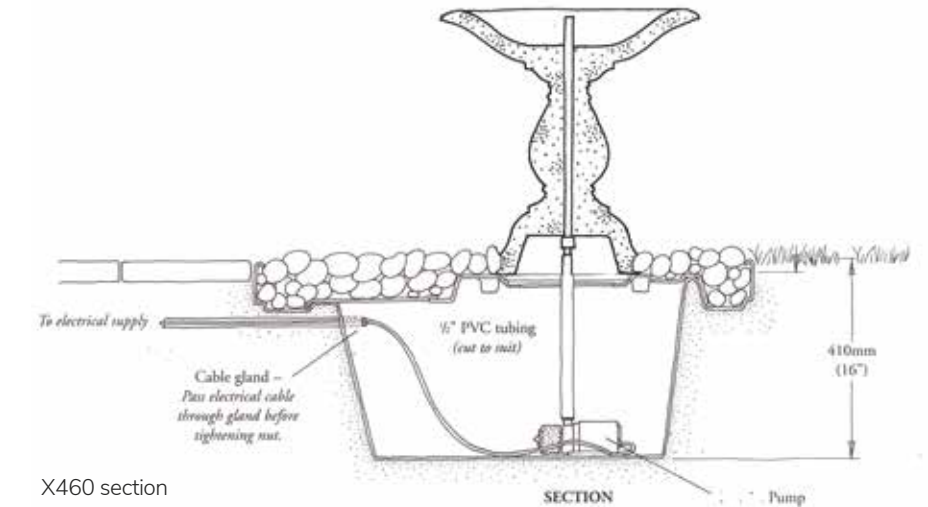
**Upper Base (optional)  
T-HA350**

A freestanding fountain shown with optional Upper Base. Lower Base also available. For diagram see Gothic Jardiniere on page 29. Supplied with offset cable hole.

**Fountain height:** 660mm (26")  
**Fountain width:** 800mm (31½")  
**Fountain weight:** 224kg (494 lb)  
**Tech Sheet:** F75



Each fountain centrepiece is also available with a robust Pebble Pool, which requires excavation, as follows: X465 Pebble Pool [650mm (25½") diameter, 305mm (12") depth] or X460/ X461 Pebble Pool [void 1010 x 820mm (39¾" x 32¼"), 410mm (16") depth]. See diagrams right, Arcadian Single Fountain shown. The appropriate Pebble Pool is identified alongside each product description where relevant.



## Arcadian Single Fountain L-GC131

Pebbles not supplied. Not available as a Pebble Bowl Fountain. Includes pump and X460 Pebble Pool, see diagram above.

**Height of stone:** 470mm (18½")  
**Max width of stone:** 457mm (18")  
**Weight of stone:** 27kg (59lb)  
**Tech Sheet:** F106



## Ball Fountain T-GC161

Includes pump and X465 Pebble Pool. Glass beads not supplied.

**Diameter of stone:** 355mm (14")  
**Weight of stone:** 47kg (104 lb)



## Triple Ball Fountain T-GC162

Includes pump, plumbing and X461 Pebble Pool. Glass beads not supplied. Not available as a Pebble Bowl Fountain.

**Max height of stone:** 355mm (14")  
**Heaviest component:** 47kg (104 lb)  
**Total weight:** 124kg (273 lb)  
**Tech Sheet:** F110



# Home and Garden Self Contained Fountains

## Lotus Flower Pebble Bowl Fountain T-GC143

Includes pump. For optional Pebble Bowl Support, see page 97.

**Overall height:** 315mm (12 $\frac{3}{8}$ "")  
**Bowl width:** 720mm (28 $\frac{1}{2}$ "")  
**Heaviest component:** 42kg (93 lb)  
**Total weight:** 80kg (176 lb)  
**Tech Sheet:** F120



## Lotus Flower Fountain (not illustrated) T-GC141

Includes pump and X465 Pebble Pool.

**Height of stone:** 145mm (5 $\frac{3}{4}$ "")  
**Width of stone:** 500mm (19 $\frac{3}{4}$ "")  
**Weight of stone:** 32kg (70 lb)



## Crucible Fountain L-GC200

**Height:** 620mm (24 $\frac{3}{8}$ "")  
**Width:** 500mm (19 $\frac{3}{4}$ "")  
**Weight:** 105kg (231 lb)  
**Tech Sheet:** F130

## Medium Crucible Fountain L-GC201

**Height:** 800mm (31 $\frac{1}{2}$ "")  
**Width at top:** 680mm (26 $\frac{3}{4}$ "")  
**Width at base:** 330mm (13")  
**Weight:** 107kg (235 lb)  
**Tech Sheet:** F130

## Crucible Bowl Fountain L-GC202

**Height:** 390mm (15 $\frac{1}{2}$ "")  
**Width at top:** 790mm (31")  
**Width at base:** 350mm (14")  
**Weight:** 97kg (213 lb)  
**Tech Sheet:** F130



## Spiral Tower Pebble Bowl Fountain T-GC157

Includes pump. For optional Pebble Bowl Support, see below.

**Overall height:** 870mm (34 $\frac{1}{4}$ "")  
**Bowl width:** 720mm (28 $\frac{1}{2}$ "")  
**Heaviest component:** 62kg (137 lb)  
**Total weight:** 104kg (229 lb)  
**Tech Sheet:** F115

## Spiral Tower Fountain (not illustrated) T-GC156

Includes pump and X460 Pebble Pool.

**Height of centrepiece:** 800mm (31 $\frac{1}{2}$ "")  
**Base width of centrepiece:** 200mm (7 $\frac{7}{8}$ "")  
**Overall width of centrepiece:** 250mm (9 $\frac{7}{8}$ "")  
**Weight of centrepiece:** 62kg (136 lb)



## Spiral Egg Pebble Bowl Fountain T-GC123

Includes pump. For optional Pebble Bowl Support, see below.

**Overall height:** 670mm (26 $\frac{3}{8}$ "")  
**Bowl width:** 720mm (28 $\frac{1}{2}$ "")  
**Heaviest component:** 80kg (176 lb)  
**Total weight:** 130kg (286 lb)  
**Tech Sheet:** F118

## Spiral Egg Fountain (not illustrated) T-GC121

Includes pump and X465 Pebble Pool.

**Height of stone:** 500mm (19 $\frac{3}{4}$ "")  
**Max width of stone:** 380mm (15")  
**Weight of stone:** 80kg (176 lb)  
**Tech Sheet:** F100



## Ball Pebble Bowl Fountain T-GC163

Includes pump. For optional Pebble Bowl Support, see right.

**Overall height:** 525mm (20 $\frac{5}{8}$ "")  
**Bowl width:** 720mm (28 $\frac{1}{2}$ "")  
**Heaviest component:** 47kg (104 lb)  
**Total weight:** 97kg (214 lb)  
**Tech Sheet:** F100



## Pebble Bowl Support L-GC710C

Shown with Lotus Flower Pebble Bowl Fountain, see page 96, (not included). Optional for all Arcadian Pebble Bowl Fountains.

**Height:** 210mm (8 $\frac{1}{4}$ "")  
**Overall diameter:** 420mm (16 $\frac{1}{2}$ "")  
**Weight:** 39kg (86 lb)  
**Tech Sheet:** F120



# Home and Garden Wall Fountains

## Gecko Bowl Fountain T-GC531

Incorporates T-GC750 Bowl. Includes pump.

**Height overall:** 595mm (23½")  
**Stone width overall:** 350mm (13¾")  
**Heaviest component:** 21kg (46 lb)  
**Total weight:** 29kg (64 lb)  
**Tech Sheet:** F157

## Gecko Wall Fountain T-GC530A

Fountain only.

**Height overall:** 345mm (13⅝")  
**Width at top:** 270mm (10⅝")  
**Weight:** 7kg (15 lb)  
 Recommended pump: X190.  
**Tech Sheet:** F157



ROBERT A.M. STERN COLLECTION

## Shell Wall Fountain T-HC540

A beautiful formalised, scalloped shell forms the bowl of this wall fountain, supported by a boldly-voluted console. Illustration shows Shell Wall Fountain T-HC540 and Console T-HC550 with Dolphin L-C170 and Console L-C160.

**Height of shell and console:** 785mm (31")  
**Width:** 760mm (30")  
**Shell projection:** 650mm (25½")  
**Weight:** 165kg (363 lb)

Please note that a 215 mm (8½") minimum wall thickness is required for this ensemble. Coping details available on request.

Recommended pump: X220.  
**Tech Sheet:** F10, F11



## Green Woman Bowl Fountain T-GC541

Incorporates T-GC755 Bowl. Includes pump.

**Height overall:** 750mm (29½")  
**Bowl width:** 480mm (18⅞")  
**Heaviest component:** 34kg (75 lb)  
**Total weight:** 54kg (119 lb)  
**Tech Sheet:** F161

## Green Woman Wall Fountain T-GC540A

Fountain only.

**Diameter:** 400mm (15¾")  
**Thickness:** 100mm (3⅞")  
**Weight:** 17kg (37 lb)  
 Recommended pump: X190.  
**Tech Sheet:** F161



## Tree Frog Bowl Fountain T-GC551

Incorporates T-GC755 Bowl. Includes pump.

**Height overall:** 750mm (29½")  
**Bowl width:** 480mm (18⅞")  
**Heaviest component:** 34kg (75 lb)  
**Total weight:** 54kg (119 lb)  
**Tech Sheet:** F161

## Tree Frog Wall Fountain T-GC550A

Fountain only.

**Diameter:** 400mm (15¾")  
**Thickness:** 100mm (3⅞")  
**Weight:** 17kg (37 lb)  
 Recommended pump: X190.  
**Tech Sheet:** F161



## Medusa Bowl Fountain T-GC521

Incorporates T-GC750 Bowl. Includes pump.

**Height overall:** 595mm (23½")  
**Stone width overall:** 350mm (13¾")  
**Heaviest component:** 21kg (46 lb)  
**Total weight:** 29kg (64 lb)  
**Tech Sheet:** F157

## Medusa Wall Fountain T-GC520A

Fountain only.

**Height overall:** 345mm (13⅝")  
**Width at top:** 270mm (10⅝")  
**Weight:** 7kg (15 lb)  
 Recommended pump: X190.  
**Tech Sheet:** F157



## Green Man Bowl Fountain T-GC501

Incorporates T-GC750 Bowl. Includes pump.

**Height overall:** 560mm (22")  
**Stone width overall:** 350mm (13¾")  
**Heaviest component:** 21kg (46 lb)  
**Total weight:** 28kg (62 lb)  
**Tech Sheet:** F157

## Green Man Wall Fountain T-GC500A

Fountain only.

**Width of stone:** 220mm (8¾")  
**Height of stone:** 280mm (11")  
**Weight of stone:** 5kg (11 lb)  
 Recommended pump: X190.  
**Tech Sheet:** F157

## Athenian Wall Fountain L-TLC928

This elegant, self-circulating wall fountain complements the Athenian Collection of planters and pedestals created by Haddonstone in partnership with Robert A. M. Stern (see pages 40-43).

**Overall height:** 1234mm (48½")  
**Width of bowl:** 740mm (29⅞")  
**Projection from wall:** 405mm (16¼")  
**Heaviest Component:** 47kg (104 lb)  
**Total weight:** 72kg (159 lb)

Supplied with pump and pump cover.  
**Tech Sheet:** F67





# Home and Garden Wall Fountains



## Lion Wall Bowl Fountain L-TLC927

The Lion Wall Bowl Fountain is a stylish self-circulating fountain featuring a striking lion mask with scroll design detailing. A stream of water pours elegantly from the lion's mouth into a complementary bowl, creating a tranquil, relaxing sound. Includes pump.

**Height:** 1177 mm (46")  
**Width:** 833 mm (34")  
**Depth:** 433 mm (17")  
**Projection from wall:** 266 mm (10½")  
**Heaviest component:** 48kg (106 lb)  
**Total weight:** 102kg (225 lb)  
**Tech Sheet:** F68



## Haddonstone Wall Fountain T-HC271

This delightful wall fountain is a variation on the T-HC270, see left. It has been designed to allow for face fixing to most existing walls via a clever combination of concealed dowels and a wrought iron strap. Includes pump.

**Height:** 1065mm (42")  
**Width overall:** 720mm (28¼")  
**Shell projection:** 410mm (16½")  
**Weight:** 95kg (209 lb)  
**Tech Sheet:** F61



## Haddonstone Wall Fountain T-HC270

A delightful wall fountain of neoclassical design. The bowl is supported by a tapered, fluted pedestal with a spiralling ribbon design. Ideal as a wall decoration on a terrace or in a conservatory or hotel foyer. This design can be installed on most existing walls. Includes pump.

**Height:** 1650mm (65")  
**Width overall:** 720mm (28¼")  
**Shell projection:** 410mm (16½")  
**Weight:** 126kg (278 lb)  
**Tech Sheet:** F60

## Bayeux Wall Fountain L-HC135

A self-circulating, wall mounted version of the Bayeux Fountain (see page 93). Includes pump.

**Overall height:** 1525mm (60")  
**Width of bowl:** 950mm (37¾")  
**Width of base:** 572mm (22½")  
**Projection from wall:** 480mm (18¾")  
**Heaviest component:** 48kg (106 lb)  
**Total weight:** 134kg (295 lb)  
**Tech Sheet:** F64





# Home and Garden Wall Fountains

SIR JOHN  
SOANE'S  
MUSEUM  
LONDON



**Soane Mouth of Truth Fountain**  
L-TLC972

**Soane Mouth of Truth Mask (not illustrated)**  
L-TLQ972

This large mask, replicated from the Soane Museum, is similar to the Bocca della Verità in Rome that famously features in Audrey Hepburn's 1953 film "Roman Holiday". Can be used as a wall plaque or as a built-in wall fountain.

**Height:** 640mm (25¼")  
**Width:** 647mm (25½")  
**Depth:** 85mm (3⅜")  
**Weight:** 42kg (93 lb)



**Grotesque Wall Fountain**  
H-C260

A memorable comic mask.

**Height:** 265mm (10½")  
**Width:** 230mm (9")  
**Weight:** 8kg (17 lb)

Recommended pump: X210.

**Grotesque Mask (not illustrated)**  
H-E340



**Lion Wall Fountain (Built-In)**  
H-C310

**Lion Wall Mask (not illustrated)**  
H-E470

A handsome lion mask mounted on a square stone. Designed to be built into a wall.

**Height of stone:** 290mm (11½")  
**Height of mask:** 315mm (12½")  
**Width of stone:** 290mm (11½")  
**Weight:** 15kg (33 lb)

Recommended pump: X210.

**Tech Sheet:** F40, M59



**Lion Wall Fountain (Face-Fixed)**  
L-TLC310

A handsome lion mask mounted on a square stone. Designed to be face-fixed onto a wall.

**Height of stone:** 290mm (11½")  
**Height of mask:** 315mm (12½")  
**Width of stone:** 290mm (11½")  
**Weight:** 7kg (15½ lb)

Recommended pump: X210.

**Tech Sheet:** F40, M59



**Large Lion Wall Fountain**  
H-C315

This robust wall fountain features a lion with a flowing mane.

**Width:** 452mm (17¾")  
**Depth:** 170mm (6¾")  
**Weight:** 24kg (53 lb)

Recommended pump: X220.

**Tech Sheet:** F45



**Wood Nymph Wall Fountain**  
H-C320

Mounted on a square stone, this charming wall fountain is designed to be built into a wall. As shown, it also provides an alternative to the Lion Wall Fountain when used in conjunction with the H-C531 Dauphin Fountain.

**Height of stone:** 295mm (11⅝")  
**Height of mask:** 480mm (19")  
**Width of stone:** 295mm (11⅝")  
**Width of mask:** 320mm (12½")  
**Weight:** 24kg (52 lb)

Recommended pump: X210.



**Dauphin Fountain**  
H-C530

This attractive self-circulating fountain features a handsome lion mask together with bold scroll details. The half octagonal pool conceals a glass fibre liner. Includes pump. Shown with Swagged Roundel (page 143), Ionian Jardinieres (page 26) and Copings, Strings and Bosses (page 99).

**Height:** 1460mm (57½")  
**Width:** 1180mm (46½")  
**Depth:** 700mm (27½")  
**Weight:** 430kg (947 lb)

**Tech Sheet:** F65

**Dauphin Fountain (not illustrated)**  
H-C531

Incorporating the charming Wood Nymph Wall Fountain, see left.

**Tech Sheet:** F65



# Home and Garden Plaques

## SIR JOHN SOANE'S MUSEUM LONDON

### Soane Apollo Sunburst Plaque L-TLQ979

This exquisite design depicts the cherubic face of Apollo on a bold relief depicting the radiating sun's rays. Apollo, the son of Zeus, is one of the most important of the Olympian deities of Greek and Roman mythology.

**Height:** 340mm (13½")  
**Width:** 620mm (24½")  
**Depth of block:** 20mm (¾")  
**Weight:** 13kg (29 lbs)



### Soane Dancing Girl & Faun Plaque L-TLQ977

A charming plaque with a relief depicting a dancing girl and faun. A faun was believed by the ancients to be half man, half goat who lived in the forests, a manifestation of forest and animal spirits that would help or hinder humans at whim.

**Height:** 712mm (28")  
**Base depth:** 37mm (1½")  
**Base width:** 725mm (28½")  
**Weight:** 38kg (84 lb)



### Soane Corymbantes Plaque L-TLQ975

Corymbantes were armed dancers who worshipped the Phrygian goddess Cybele with drumming and music. Soane owned two casts taken from a celebrated original Roman relief at the Vatican Museum. Found at Palestrina, the panel is taken from a first century copy of an original dating from the fourth century BC.

**Height:** 710mm (28")  
**Max depth:** 63mm (2½")  
**Width:** 725mm (28½")  
**Weight:** 31kg (68 lb)



### Soane River God Mask L-TLQ970

The Soane Museum original is a design created by the famous Coade manufactory and dates from c1775. Attributed to the English sculptor John Bacon (1740-1799) and probably inspired by the seventeenth century garden sculptures at Versailles, the mask is in the form of a keystone and can be used as an architectural feature, an intriguing interior or exterior decoration or in a landscape.

**Height:** 585mm (23")  
**Width at base:** 295mm (11½")  
**Width at top:** 435mm (17½")  
**Max depth of base block:** 55mm (2½")  
**Weight:** 30kg (66 lb)



Capturing the majesty of the renowned Parthenon Frieze, this pair of designs is replicated from original carvings which date from c443-438 BC. The originals depict the Panathenaic Procession. These horsemen are from the north frieze. Available individually or as a pair. All dimensions are approximate owing to the shape of the originals. Will require mechanical fixing in all instances.

### Parthenon Frieze I L-TLQ981

**Height:** 1030mm (40½")  
**Width:** 1250mm (49¼")  
**Depth:** 100mm (4")  
**Weight:** 150kg (330 lb)

### Parthenon Frieze II L-TLQ982

**Height:** 1030mm (40½")  
**Width:** 1250mm (49¼")  
**Depth:** 100mm (4")  
**Weight:** 150kg (330 lb)

\*For further examples replicated from the Soane Museum, see pages 47, 52, 53, 102.



# Home and Garden Plaques



**Griffin Plaque**  
L-TLQ994

Dating from the late eighteenth century, this replica of a famous Coade design is ideal for enhancing a classical architectural scheme. A similar design can be seen at Wentworth Woodhouse in Yorkshire, credited to James 'Athenian' Stewart. Can be built-in or face-fixed with mechanical fixings.

**Height:** 890mm (35 $\frac{1}{16}$ "")  
**Width:** 1228mm (48 $\frac{3}{8}$ "")  
**Depth of block:** 65mm (2 $\frac{9}{16}$ "")  
**Weight:** 76kg (167 lb)



**Spring Plaque**  
L-TLQ990

**Autumn Plaque**  
L-TLQ992

**Summer Plaque**  
L-TLQ991

**Winter Plaque**  
L-TLQ993

The charming Seasons Plaques depict putti with their seasonal attributes: garlands of flowers; sheaves of corn; cornucopia of fruit; and, fire and ice. These are faithful reproductions taken from original designs created by the renowned Coade manufactory.

**Height:** 440mm (17 $\frac{5}{16}$ "")  
**Width:** 890mm (35 $\frac{1}{16}$ "")  
**Depth of block:** 20mm ( $\frac{3}{4}$ "")  
**Weight:** 22kg (48 lb)



**Tradescant Wall Plaque**  
H-Q660

Based on an XVII century plaque displayed at the Museum of Garden History. Recarved to depict John Tradescant (1608-1662), gardener to Charles II and famous for bringing numerous plant species to England, including many from America. Up to two letters or numerals may be cast into the stone either side of the figure (i.e. four in total).

**Height:** 695mm (27 $\frac{3}{8}$ "")  
**Width:** 555mm (21 $\frac{7}{8}$ "")  
**Depth:** 135mm (5 $\frac{5}{16}$ "")  
**Weight:** 65kg (143 lb)



View our range at [haddonstone.com](http://haddonstone.com)



# Home and Garden Lawn Edging



## Celtic Edging

Inspired by Celtic designs, complementing the Celtic Disc and Stepping Stone, see page 109. Inserted below ground for easy installation.

### Celtic Edging T-GN750A

**Length:** 250mm (9¾")  
**Width:** 30mm (1⅙")  
**Depth below ground:** 100mm (4")  
**Height above ground:** 140mm (5½")  
**Weight:** 3.5kg (8 lb)

### Celtic Edging T-GN750B

**Length:** 495mm (19½")  
**Width:** 30mm (1⅙")  
**Depth below ground:** 100mm (4")  
**Height above ground:** 140mm (5½")  
**Weight:** 7kg (16 lb)

### Celtic Edging Post T-GN755A

**Width:** 40mm (1½")  
**Depth below ground:** 100mm (4")  
**Height above ground:** 185mm (7¼")  
**Weight:** 1kg (2 lb 3oz)



### Scrolled Edging Stone H-D220

This edging has a scrolled front and plain back. Left and right-handed terminal lengths are 230mm (9"). Ideal for herbaceous borders.

**Length:** 457mm (18")  
**Height above ground:** 90mm (3½")  
**Depth below ground:** 140mm (5½")  
**Weight:** 11.5kg (25 lb)

### Edging Post H-D200

For corner or terminal use with Roped or Scrolled Edging.

**Width:** 75mm (3")  
**Height above ground:** 120mm (4¾")  
**Depth below ground:** 140mm (5½")  
**Weight:** 2.5kg (5½ lb)



### Roped Edging Stone H-D210

This edging, with its attractive rope decoration, is suitable for most situations and should be used with Edging Post H-D200.

**Length:** 452mm (17¾")  
**Height above ground:** 90mm (3½")  
**Depth below ground:** 135mm (5¼")  
**Weight:** 9kg (21 lb)

## Arcadian Lawn Edging

The unique Arcadian Lawn Edging system can be used as a mowing edge alongside flower borders, around a tree or as a kerb to paths or driveways.

### Straight T-GN700A

**Height:** 90mm (3½")  
**Length:** 450mm (17¾")  
**Width:** 140mm (5½")  
**Weight:** 8kg (18 lb)

### Outside Corner T-GN700F

**Height:** 90mm (3½")  
**Length:** 225mm (9")  
**Width:** 140mm (5½")  
**Weight:** 6kg (13 lb)

### Inside Corner T-GN700G

**Height:** 90mm (3½")  
**Length:** 225mm (9")  
**Width:** 140mm (5½")  
**Weight:** 6kg (13 lb)



Outside Corner



External Curve

### Internal Curve T-GN700H-00500

**External Curve  
T-GN700I-00500**  
**Height:** 90mm (3½")  
**Radius:** 500mm (19¾")  
**Width:** 140mm (5½")  
**Complete circle:** 8 sections  
**Weight per section:** 7kg (15 lb)

### Internal Curve T-GN700H-01000

**External Curve  
T-GN700I-01000**  
**Height:** 90mm (3½")  
**Radius:** 1000mm (39¾")  
**Width:** 140mm (5½")  
**Complete circle:** 12 sections  
**Weight per section:** 10kg (22 lb)



### Celtic Stepping Stone - Knotted T-GN100A

See above (left). Complements Celtic Edging, see page 108.

**Diameter:** 355mm (14")  
**Weight:** 7.5kg (17 lb)

### Celtic Disc T-GN500A

See above (centre). Can be used with Celtic Stepping Stones, see below. Complements Celtic Edging, see page 108.

**Diameter:** 600mm (23⅝")  
**Weight:** 25kg (55 lb)

### Celtic Stepping Stone - Woven T-GN200A

See above (right). Complements Celtic Edging, see page 108.

**Diameter:** 355mm (14")  
**Weight:** 7.5kg (17 lb)



# Home and Garden

## Garden Decor and Accents



### Bollard H-D100

A simple bollard, ideal for contemporary or traditional schemes.

**Height:** 610mm (24")  
**Width at base:** 255mm (10")  
**Weight:** 50kg (110 lb)



### Bollard H-D110

This bollard, surmounted by a fir cone finial, may be used with or without connecting chains (not supplied). Hooks available as an optional extra.

**Height above ground:** 650mm (25½")  
**Depth below ground:** 315mm (12½")  
**Height of fir cone:** 180mm (7")  
**Width at base:** 165mm (6½")  
**Weight:** 33kg (74 lb)



### Bollard T-HD120

This robust bollard design is ideal for placing alongside driveways and outside entrances.

**Height:** 230mm (9¼")  
**Diameter:** 230mm (9¼")  
**Weight:** 29kg (64 lb)



### Ball Bollard L-D105

Based on our classic cast stone balls, this simple bollard features a brass or stainless steel outdoor light fitting available in either 12 or 240 volts.

**Height (with light):** 330mm (13")  
**Width:** 330mm (13")  
**Weight:** 36kg (79lb)

**Tech Sheet:** M80



### Classic Bollard L-D115

An elegant solar powered bollard featuring an aluminium and polycarbonate outdoor light fitting. The solar light fitting is available with a warm light and either a silver or black top.

**Height (with light):** 960mm (37¾")  
**Height (without light):** 700mm (27½")  
**Width:** 210mm (8¾")  
**Weight:** 22kg (42 lb)

**Tech Sheet:** M81



### Staddle Stone H-E900

Staddle stones were originally used to raise grain stores off the ground, thereby stopping vermin from climbing up. Primarily associated with the Cotswolds, staddle stones can be used to flank drives or as garden ornaments.

**Height:** 640mm (25¼")  
**Width at top:** 450mm (17¾")  
**Width at base:** 300mm (11¾")  
**Weight:** 86kg (189 lb)



### Rhubarb Forcer L-TLA532

Based on a traditional design, this frost resistant rhubarb forcer is the perfect addition to a kitchen or cottage garden for improving rhubarb cultivation.

**Height excluding lid:** 450mm (17¾")  
**Diameter:** 350mm (13¾")  
**Weight:** 20kg (44 lbs)



View our range at [haddonstone.com](http://haddonstone.com)



# Home and Garden Obelisks

Obelisks have been a popular design feature for thousands of years. These imposing tapered pillars were first used in pairs at the entrances of ancient Egyptian temples. They were revived and became popular during the Georgian period. Today, they are a key design element in classical gardens, stately homes and in general landscape design.



**Obelisk Finial  
T-HE535**

A charming small obelisk for use inside or out. Equally at home on a chimney piece hearth, a window cill, or in the garden.

**Height overall:** 700mm (27½")  
**Width of base:** 150mm (6")  
**Weight:** 14kg (31 lb)



**Balustrade Obelisk  
H-E545**

This obelisk has been designed for positioning on a Haddonstone balustrade pier as an interesting alternative to an urn or finial. It may also act as a freestanding obelisk when used in conjunction with a H-B400, H-B420 or H-B440 plinth (see page 45 - main pedestal page).

**Height:** 1005mm (39½")  
**Maximum width:** 220mm (8⅝")  
**Width at base:** 152mm (6")  
**Weight:** 65kg (143 lb)  
**Tech Sheet:** M60



**Gothic Obelisk  
H-E540**

An obelisk in Gothic style, ideally suited to form a focal point in a small garden.

**Height overall:** 1800mm (71")  
**Width of base:** 460mm (18")  
**Weight:** 262kg (578 lb)  
**Tech Sheet:** M21



**Millennium Obelisk  
H-E555**

This imposing structure would make an impressive focal point in any major landscape project aimed at celebrating a unique event.

**Height overall:** 6190mm (243¾")  
**Width of base:** 1229mm (48⅜")  
**Weight:** 3750kg (8260 lb)  
**Tech Sheet:** M22

Please note: will require mechanical lifting on site in all instances.



**Obelisk  
H-E550**

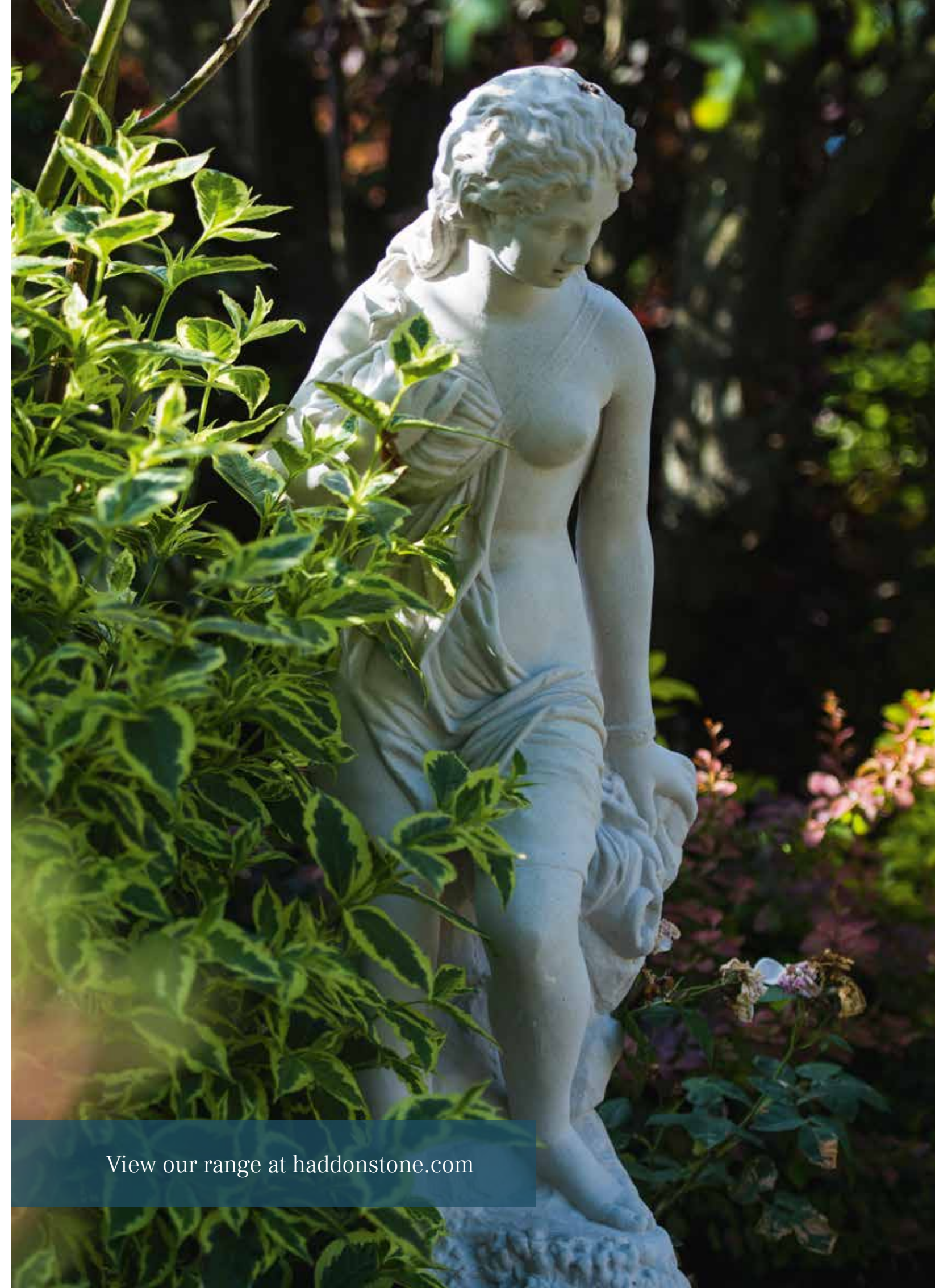
The Obelisk can be used to great effect at the end of a long vista, or in a courtyard or formal garden area.

**Height overall:** 2672mm (105¼")  
**Width of base:** 700mm (27½")  
**Weight:** 656kg (1446 lb)  
**Tech Sheet:** M20 & GAR4

Please note: will require mechanical lifting on site in all instances.



## Home and Garden Masonry Weathering Tint



View our range at [haddonstone.com](http://haddonstone.com)



# Home and Garden Personalised Engraving

For a thoughtful gift, perfect for an anniversary, retirement, wedding or special birthday, our personalised engraved gifts collection is ideal. Our highly-skilled craftsmen can engrave a personal message, memorable date or a motto onto a select range of our Home and Garden collection, including planters, plaques, bird baths and garden furniture. As well as creating crisp, engraved messages onto

our personalised gift designs, our team can also infill the engraving in a choice of gold, silver or black.

Once we receive your order, we will contact you within two working days to discuss the inscription you'd like. Please be assured that we will only carry out the work once a draft copy of the text and layout has been approved by yourself.



### Personalised Promenade Box T-PER528

The Personalised Promenade Box is a generous-sized square planter, ideal for any large garden or landscaping scheme, whether a residential, public or commercial space.

The Personalised Promenade Box can be engraved with your choice of lettering, numbers or company logo.

**Height:** 597 mm (23½")  
**Width:** 717 mm (28¼")  
**Length:** 717 mm (28¼")  
**Weight:** 287 kg (633lbs)

Will require mechanical lifting on site in all instances.

### Personalised Promenade Trough T-PER527

The Personalised Promenade Trough is a large planter that is ideal for any large garden or landscaping scheme, whether a residential, public or commercial space.

The Personalised Promenade Trough can be engraved with your choice of lettering, numbers or company logo.

**Height:** 598 mm (23¾")  
**Width:** 716 mm (28¼")  
**Length:** 1586 mm (62½")  
**Weight:** 635 kg (1400 lb)

Will require mechanical lifting on site in all instances.



**GENERAL NOTE** It's essential that your Haddonstone seat or table is located on a firm and level area. Although the top is reinforced, it may crack if subjected to a pivoting or twisting strain. An 8-to-1 sand/cement bedding mortar must be used to ensure that each support bears an equal weight. The properties of this mixture give a secure hold that can be broken without difficulty if the seat or table must be re-sited. We cannot accept responsibility for breakage if this instruction is ignored.



### Personalised Curved 52" seat L-PER321

This beautiful, personalised garden seat features a simple curved design and makes a lovely resting spot on a terrace or in a courtyard or garden.

The curved seat top can be engraved with your choice of message, making it the perfect gift for a special occasion such as an anniversary, birthday, wedding or retirement.

**Overall height of seat:** 457mm (18")  
**Width of seat top:** 405 mm (15½")  
**Inner radius:** 920mm (36¼")  
**Outer chord:** 1320 mm (52")  
**Outer girth:** 1380mm (54¼")  
**Outer radius:** 1325mm (52¼")  
**Heaviest component:** 81kg (179 lb)  
**Weight inc. supports:** 156kg (344 lb)



### Personalised Straight 51" seat L-PER311

The straight seat top can be engraved with your choice of message, making it the perfect gift for a special occasion such as an anniversary, birthday, wedding or retirement.

**Overall height of seat:** 457mm (18")  
**Width of seat top:** 405mm (15½")  
**Length:** 1295mm (51")  
**Heaviest component:** 55kg (121 lb)  
**Weight inc. supports:** 105kg (231 lb)



### Personalised Hadrian Seat L-PER520

This elegant bench seat of modest proportions incorporates a panelled back, scrolled arm rests, chimaera supports and an egg and dart seat top. The seat can be personalised with your own message along the top, or on the two back panels

**Height:** 850mm (33½")  
**Length:** 1335mm (52½")  
**Depth:** 495mm (19½")  
**Weight:** 269kg (593 lb)  
**Tech Sheet:** M73, M74



# Home and Garden Personalised Engraving



## Personalised Circular Stone (excluding planter) L-PER640

A circular plinth which can be used with a number of Haddonstone's planters or on its own (shown with H-A610 Sheraton Vase).

**Diameter:** 450mm (17¾")

**Depth:** 50mm (2")

**Weight:** 17kg (37 lb)

Other suggested planters:

- H-A490 Magnolia Vase,
- H-A575 Small Scrolled Jardiniere,
- H-A534 Small Roman Jardiniere,
- L-TLHA540 Roman Vase,
- L-HA910 Crucible,
- H-A913 Small Olympian Urn,
- H-A915 Small Olympian Bowl.



## Personalised Georgian Pedestal (excluding planter) H-PER120

An imposing pedestal with deep recessed compound mouldings (shown with H-A680 Large Versailles Vase). When personalised, this makes a major statement in a larger garden or landscape.

**Height:** 844mm (33¼")

**Width at base:** 700mm (27½")

**Width at cap:** 735mm (29")

**Weight:** 356kg (784 lb)

Other suggested planters:

- H-A300 Fontainebleau Urn,
- H-A440 Jubilee Urn,
- H-A212 Campana Vase,
- H-Q998 Tatham Tazza,
- H-A750 Waterloo Urn.



## Personalised Baluster Bird Bath L-PER335

A simple baluster bird bath designed for engraving around the rim.

**Height:** 710mm (28")

**Width at rim:** 560mm (22")

**Width at base:** 260mm (10¼")

**Weight:** 58kg (128 lb)



## Personalised Wall Sundial L-PER360

Includes gnomon. Designed for south facing walls, this decorative ornament gives an insight into the workings of a wall sundial. Provides an elegant personalised design when engraved.

**Height:** 450mm (17¾")

**Width:** 340mm (13⅝")

**Depth:** 30mm (1⅜")

**Weight:** 9kg (20 lb)

**Tech Sheet:** SD1, SD2



## Personalised Roman Sundial L-PER285

Featuring a stainless steel gnomon (included) to project a shadow across the Roman numerals cast into the sundial top around the engraved area.

**Height:** 670mm (26⅜")

**Diameter at top:** 375mm (14¾")

**Width of base:** 260mm (10¼")

**Weight:** 43kg (95 lb)



# Home and Garden Personalised Engraving

## Personalised Roundel (built-in) L-PER625

## Personalised Roundel (face-fixed - not illustrated) L-PER626

Available in either face-fixed or built-in versions, this design is ideal for personalisation.

**Diameter:** 432mm (17")

**Thickness (face-fixed):** 35mm (1 $\frac{3}{8}$ "")

**Thickness (built-in):** 102mm (4")

**Weight (face-fixed):** 8kg (18 lb)

**Weight (built-in):** 30kg (66 lb)



## Personalised Stone Plaque (built-in) L-PER630

## Personalised Stone Plaque (face-fixed - not illustrated) L-PER631

Available in either face-fixed or built-in versions, this design is ideal for a more elaborate engraving, as shown.

**Height:** 290mm (11 $\frac{7}{16}$ "")

**Length:** 440mm (17 $\frac{5}{16}$ "")

**Thickness (face-fixed):** 35mm (1 $\frac{3}{8}$ "")

**Thickness (built-in):** 102mm (4")

**Weight (face-fixed):** 7kg (15 lb)

**Weight (built-in):** 26kg (57 lb)

Haddonstone has often provided the finishing touch to a project with the supply of a plaque incorporating a house name, number or year. These plaques have been achieved by casting in the letters or numerals required, see page 142.



## Personalised Paving Stone L-PER705

A stylish smooth stone ideal for engraving. Designed to be either incorporated into paving or a gravel path.

**Height:** 450mm (23 $\frac{5}{8}$ "")

**Length:** 450mm (23 $\frac{5}{8}$ "")

**Thickness:** 50mm (2")

**Weight:** 24kg (53 lb)



View our range at [haddonstone.com](http://haddonstone.com)



# Home and Garden Garden Cremation Memorials

As the UK's leading manufacturer of fine cast stone garden designs, we recognise that sometimes people want to leave a more individual memorial to commemorate the passing of a loved one. That's why we have created a unique range of Garden Cremation Memorials as a tasteful alternative to the more traditional gravestones and grave markers that are available.

Beautifully handmade to the highest quality by our highly-skilled craftsmen, each Haddonstone Memorial is both a beautiful garden feature and a fitting and discreet place for a loved one's cremated remains. Each design (except the Memorial Marker Block) incorporates a pedestal which can accommodate one or two Poly-Urns for your loved one's ashes (one is supplied with the Memorial).

To personalise these memorials, an inscription panel is recessed into the pedestal. Memorials can be easily relocated at a future time if required.

Upon receipt of your order, we will contact you within two working days to discuss your requirements for the inscription. Normally we can fit up to 120 characters into the inscription, although this is dependent on the size and style of the font used. Please be assured that the inscription will only be commenced once a draft copy of the text and layout has been approved by yourself.

Haddonstone also has a comprehensive range of other conventional garden designs including bench seats, fountains, planters and obelisks, some of which are available personalised in memory of a loved one.



**Memorial Vase & Pedestal**  
(with optional perspex plaque)  
**L-MEM300**  
Height: 980mm (38 5/8")  
Width at top: 510mm (20")  
Ped. base width: 338mm (13 3/4")  
Weight: 88kg (194 lb)



**Memorial Classical Sundial & Pedestal**  
(with optional ceramic photo plaque and engraved inscription enamel infill)  
**L-MEM100**  
Stone height: 880mm (34 5/8")  
Top diameter: 375mm (14 3/4")  
Ped. base width: 338mm (13 3/4")  
Weight: 81kg (178 lb)



**Memorial Celestial Sundial & Pedestal**  
(with standard engraved inscription)  
**L-MEM200**  
Stone height: 880mm (34 5/8")  
Top diameter: 375mm (14 3/4")  
Ped. base width: 338mm (13 3/4")  
Weight: 81kg (178 lb)



Classical  
(detail)



Celestial  
(detail)



**Memorial Bird Bath & Pedestal**  
(with standard engraved inscription)  
**L-MEM400**  
Height: 927mm (36 1/2")  
Width at top: 485mm (19")  
Ped. base width: 338mm (13 3/4")  
Weight: 96kg (211 lb)



**Memorial Obelisk & Pedestal**  
(with standard engraved inscription)  
**L-MEM550**  
Height: 1650mm (65")  
Ped. base width: 338mm (13 3/4")  
Weight: 120kg (264 lb)



**Memorial Block (Rope)**  
(with perspex plaque and gold-effect vase)  
**L-MEM750**  
Dimensions: 247 x 280 x 140mm  
(9 3/4 x 11 x 5 1/2")  
Weight: 15kg (33 lb)

# Home and Garden Garden Pet Memorials

Haddonstone's Garden Pet Memorials are designed to be placed in your own garden, as a thoughtful tribute to your pet. These cast stone memorials can easily be moved and relocated at a future time, if required.

Each of our design options can be engraved with an inscription of your choice in a range of fonts and colours.



**Memorial Stone**  
(Shown with standard engraved inscription with optional enamel lettering infill)  
**L-MEM850**  
Height: 450mm (17 3/4")  
Height above ground: approx 305mm (12")  
Width: 210mm (8 1/4")  
Weight: 7kg (15 lb)



**Memorial Marker**  
(Shown with standard engraved inscription with optional enamel lettering infill)  
**L-MEM840**  
Dimensions: 300 x 300 x 50mm  
(11 13/16 x 11 13/16 x 2")  
Weight: 10.5kg (23 lb)  
Other sizes available on request.



# Home and Garden Fireplaces and Interiors

Haddonstone's fireplaces, mantels, chimney piece surrounds and hearths offer you a choice of many surround designs from the simple and stylish, to the ornate and elegant.

Hearths and Back Hearths are available to suit most styles or can be supplied separately for use with your own stove.

Fireback Tiles are also available. Chimney installation recommendations available.



**Hearth  
T-HF440**

**Dimensions:** 1370mm x 450mm x 63mm (54" x 17½" x 2½")



**Classic Fireplace  
T-HF640**

The Classic Fireplace is the latest design to be launched by Haddonstone as part of the Robert A.M. Stern Collection. Includes Hearth. Optional Slips available as illustrated.

**Height:** 1305mm (52½")  
**Height of opening:** 1015mm (40")  
**Width at base:** 1727mm (68")  
**Width of opening:** 1219mm (48")  
**Width of mantel:** 1968mm (77½")  
**Hearth:** 1968 x 518 x 63mm (77½" x 20" x 2½")  
**Weight overall:** 209kg (460 lb)  
**Tech Sheet:** M33

**Vanbrugh Fireplace  
T-HF634W**

Inspired by the works of Sir John Vanbrugh (1664-1726). A leading exponent in the English Baroque movement. Vanbrugh is probably best known as the architect of Blenheim Palace. Includes Hearth. Shown with optional Fire Basket WF250, Obelisks WF700 and Slips WF800.

**Height:** 1240mm (48⅞")  
**Height of opening:** 762mm (30")  
**Width of base:** 1275mm (50¼")  
**Width of opening:** 740mm (29⅞")  
**Width of mantel:** 1611mm (63½")  
**Weight:** 221kg (487 lb)  
**Tech Sheet:** M32



**Vanbrugh Fireplace  
T-HF633W**

The Vanbrugh Fireplace is also available with an optional mid-mantel, see above.

**Additional height:** 123mm (4⅓⅓").



**Deco Fireplace  
T-HF135W**

A stunning fireplace in the Art Deco style, including Slips and Hearth.

**Height:** 977mm (38½")  
**Height of opening:** 762mm (30")  
**Width:** 1170mm (46⅞")  
**Width of opening:** 740mm (29⅞")  
**Weight:** 172kg (379 lb)  
**Tech Sheet:** M28



# Home and Garden Fireplaces and Interiors

## Tudor Fireplace T-HF610W

Originally designed by Haddonstone for a private client as part of the refurbishment of their charming Tudor house. Includes Hearth. Shown with optional Back Hearth T-HF4A and non-standard Fireback Tiles. Excludes stove.

**Height:** 1220mm (48")  
**Height of opening:** 1035mm (40¾")  
**Width:** 1485mm (58½")  
**Width of opening:** 1120mm (44")  
**Depth:** 165mm (6½")  
**Weight:** 182kg (401 lb)  
**Hearth:** 1620 x 510 x 63mm (56½" x 20" x 2½")  
**Weight of hearth:** 120kg (265 lb)  
**Tech Sheet:** M36



## Tall Manor Fireplace T-HF411W

An elegant, taller version of the popular Manor House Fireplace design. Includes Hearth. Shown with optional Back Hearth T-HF4A and Fireback Tiles T-HP450. Excludes stove.

**Height:** 1149mm (45¼")  
**Height of opening:** 896mm (35¼")  
**Width of base:** 1268mm (50")  
**Width of opening:** 838mm (33")  
**Width of mantel:** 1370mm (54")  
**Hearth:** 1370 x 450 x 63mm (54" x 17¾" x 2½")  
**Weight:** 262kg (577 lb)  
**Weight of slips:** 37kg (82 lb)  
**Tech Sheet:** M34



## Manor House Fireplace T-HF505W

The Manor House Fireplace features a simple gothic arch with bold moulding to rebated legs. Includes Slips and Hearth. Excludes inset fire.

**Height:** 969mm (38⅞")  
**Height of opening:** 725mm (28½")  
**Width of base:** 1098mm (43¼")  
**Width of opening:** 668mm (26¼")  
**Width of mantel:** 1200mm (47¼")  
**Hearth:** 1200 x 450 x 63mm (47¼" x 17¾" x 2½")  
**Weight:** 204kg (449 lb)  
**Weight of Hearth:** 72kg (159 lb)  
**Weight of Slips:** 36kg (78 lb)  
**Tech Sheet:** M37

## Louis XV Fireplace T-HF150W

A very pretty Louis XV-style fireplace with shaped apron, typical mouldings and shell decoration, including Kerb and Hearth. Excludes fire basket.

**Height:** 1065mm (42")  
**Height of opening at centre:** 850mm (33½")  
**Width at base:** 1214mm (47¾")  
**Width of opening:** 940mm (37")  
**Width at mantel:** 1282mm (50½")  
**Hearth/Kerb:** 1100 x 525 x 95mm (43¼" x 20½" x 3¾")  
**Weight of hearth:** 236kg (520 lb)  
**Tech Sheet:** M30



## Adam Fireplace T-HF110W

An elegant design in the style of Robert Adam (1728-92). This fireplace incorporates legs in the form of Ionic half columns supporting a mantel featuring swags and medallions surmounted by a dentilled cornice. Includes Slips and Hearth. Excludes fire basket.

**Height:** 1191mm (46⅞")  
**Height of opening:** 903mm (35½")  
**Width of base:** 1271mm (50")  
**Width of opening:** 915mm (36")  
**Width of mantel:** 1409mm (55½")  
**Hearth:** 1425 x 510 x 63mm (56⅞" x 20" x 2½")  
**Weight:** 236kg (520 lb)  
**Weight of Hearth:** 105kg (232 lb)  
**Weight of Slips:** 84kg (185 lb)  
**Tech Sheet:** M27



# Home and Garden Fireplaces and Interiors

## Scrolled Table Support H-F290

Ideal for use as a coffee table. Each support takes the form of a basketweave and artificial leaf design terminated by decorative volutes. For use as a pair. Glass table top not supplied.

**Height:** 405mm (16")

**Length:** 610mm (24")

**Width:** 230mm (9")

**Weight (each):** 58kg (128 lb)



## Haddonstone Table Support L-F270

This robust pedestal support features acanthus-leaf mouldings with diagonal fluting and stylised acanthus flowers. Can be used either as a desk or a table. Glass table top not supplied.

**Height:** 705mm (27¾")

**Length at base:** 470mm (18½")

**Width at base:** 255mm (10")

**Weight (each):** 91kg (201 lb)



View our range at [haddonstone.com](http://haddonstone.com)



## Gift Vouchers

Haddonstone gift vouchers are a thoughtful way to celebrate a loved one's special occasion.

Available in various denominations, they can be redeemed against any design in our collection. This includes any design in our Home and Garden range, Personalised Engraved Gifts, our Weathered Collection, Special Offers, Building and Construction components, bespoke stonework and delivery.

Gift vouchers can also be sent directly to your recipient with a copy of our current brochure, so they can choose for themselves.



# £100 Gift Voucher

Only valid for retail purchases direct from Haddonstone Ltd ~ For full Terms & Conditions see overleaf  
E: [info@haddonstone.co.uk](mailto:info@haddonstone.co.uk) | T: 01604 770711 | W: [haddonstone.com](http://haddonstone.com)  
Haddonstone Ltd, The Forge House, East Haddon, Northampton, NN6 8DB





## Building and Construction

Our vastly-experienced team is dedicated to helping you achieve your vision. Whether you are a private client, architect, developer, or contractor, they are on hand to discuss your next project, however large or small.

With unrivalled expertise and technical facilities, we are able to create high-specification architectural stonework from our extensive range of standard designs. We are also passionate about producing bespoke products to almost any specification.

Because all of our products are handmade at our manufactory, we maintain full control throughout the process and so ensure that only the highest-quality cast stone products reach our clients.

So, if your project is residential or commercial, a renovation or restoration, contact our team today to discuss how we may be able to help.

Trusted specialists in high-specification  
architectural stonework





## Building and Construction

Wall Dressings	136
Copings	
Pier Caps	
Gate Piers	
Roundels, Plaques and Date Stones	
Window Dressings	144
Window Cills	
Window Heads	
Keystones and Hood Moulds	
Bull's Eye Window Surrounds	
Window Surrounds	
Façade Stonework	147
Quoins, Corbels, Brackets and Gable Vents	
Plinth and String Courses	
Columns and Pilasters	
Porticos and Porches	
Door Surrounds	
Garden Buildings	158
Orangeries	
Temples	
Pavilions	
Pergolas	
Follies	
Belvedere	
Balustrade and Parapet Screening	164
Balustrade	
Parapet Screening	
Steps and Paving	168
Steps	
Spiral Staircase	
Paving	





# Building and Construction Wall Dressings

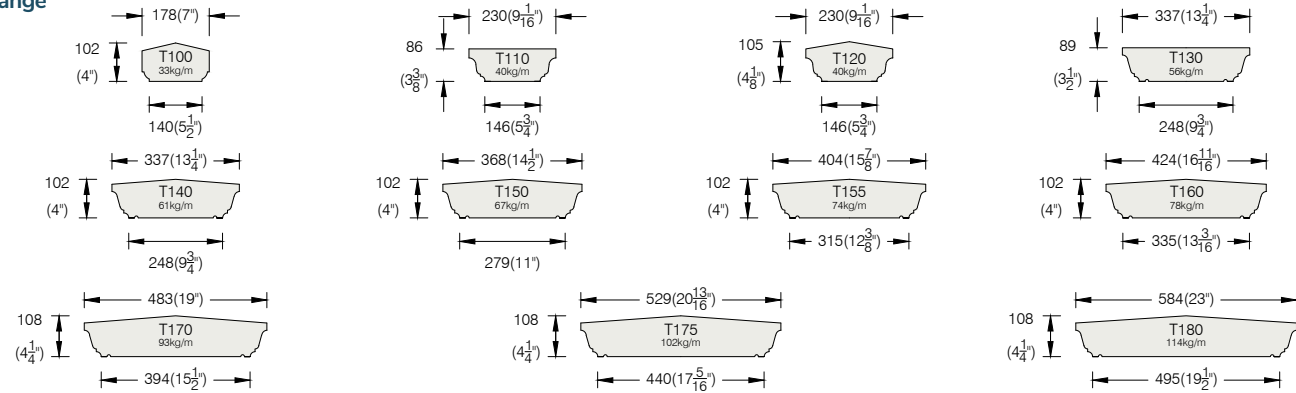
## Copings

We supply a range of decorative and plain design cast stone copings for all kinds of project. Supplied plain-ended as standard, we can also manufacture terminal-end, corner, horizontal and vertical curve copings.

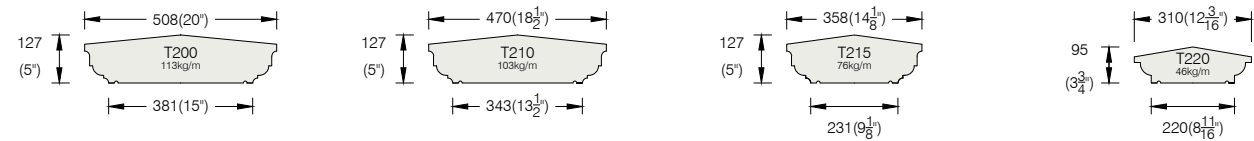
Supplied once weathered (sloped), twice weathered or flat, and produced with drips (throated).

Our copings are suitable for both stone and brick walls, whether a straight, flat run of wall or curved.

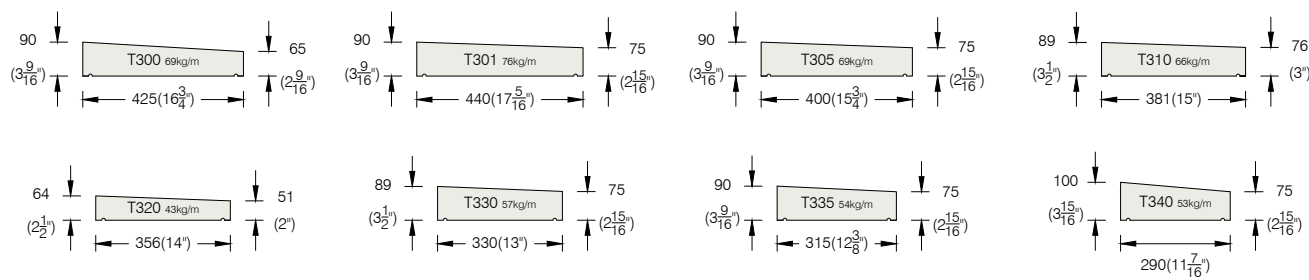
### T1 Range



### T2 Range



### T3 Range



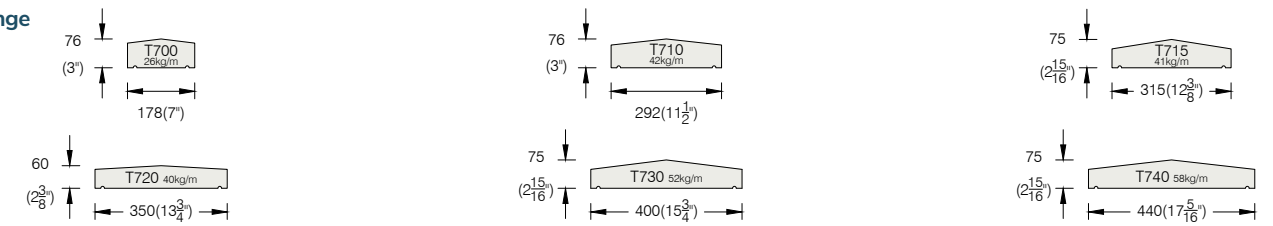
### T4 Range



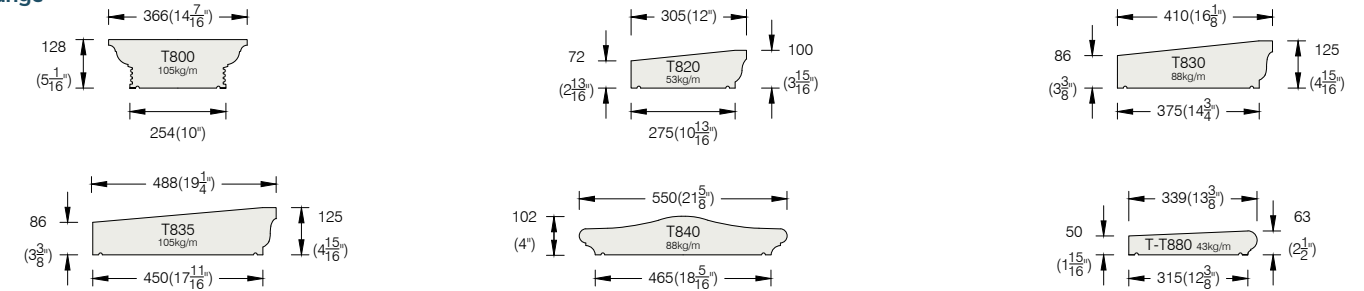
### T6 Range



### T7 Range

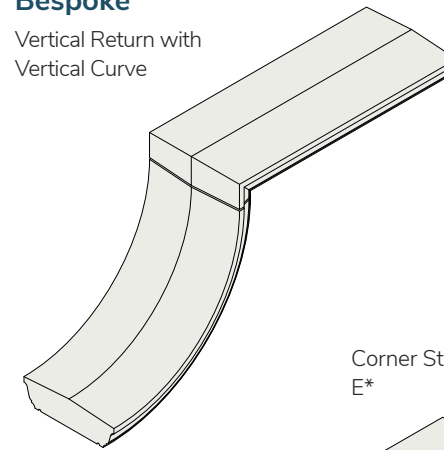


### T8 Range



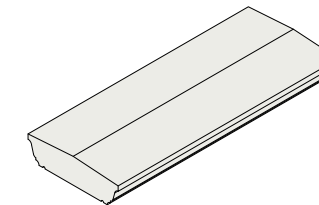
### Bespoke

Vertical Return with Vertical Curve

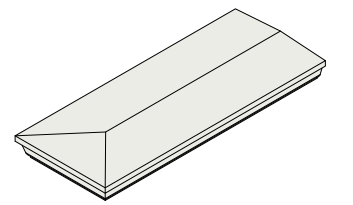


### Standard

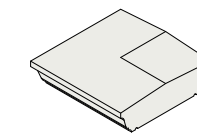
Plain End A



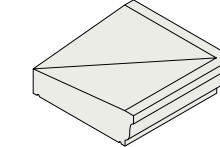
Terminal End T



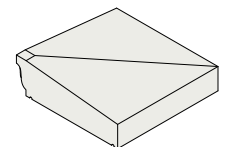
Corner Stone E\*



External Corner F

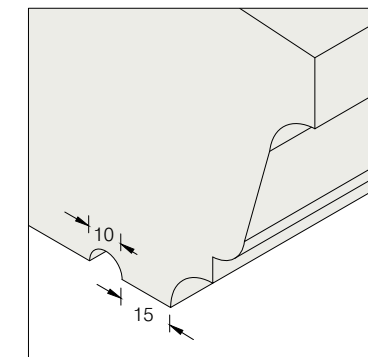
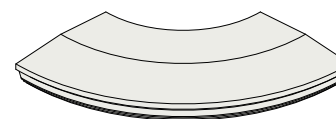


Internal Corner G



\*Symmetrical coping only

### Horizontal Curve



### Standard Drip

Position of standard drip detail incorporated into Haddonstone copings.

10mm drip set in 15mm from edge.



# Building and Construction

## Wall Dressings

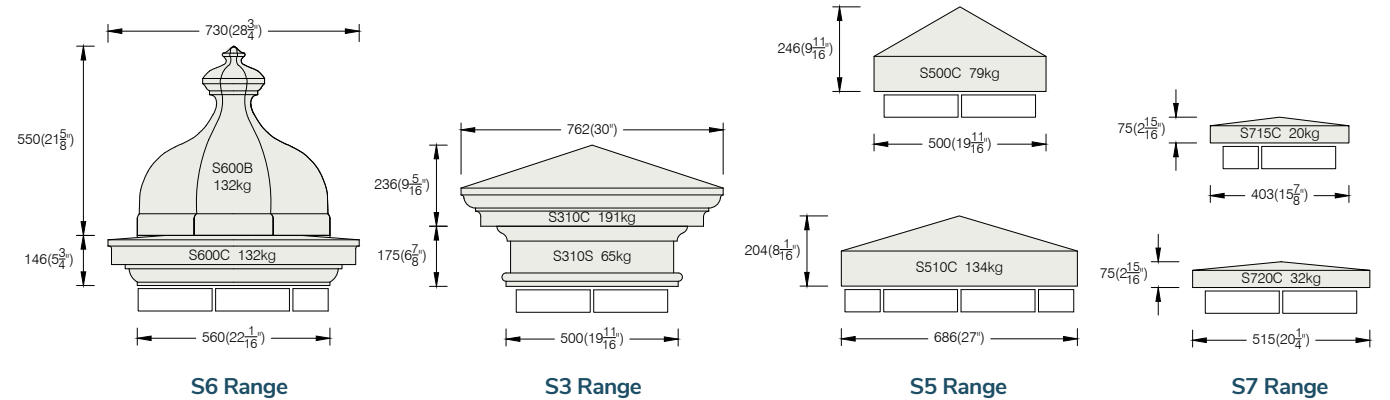
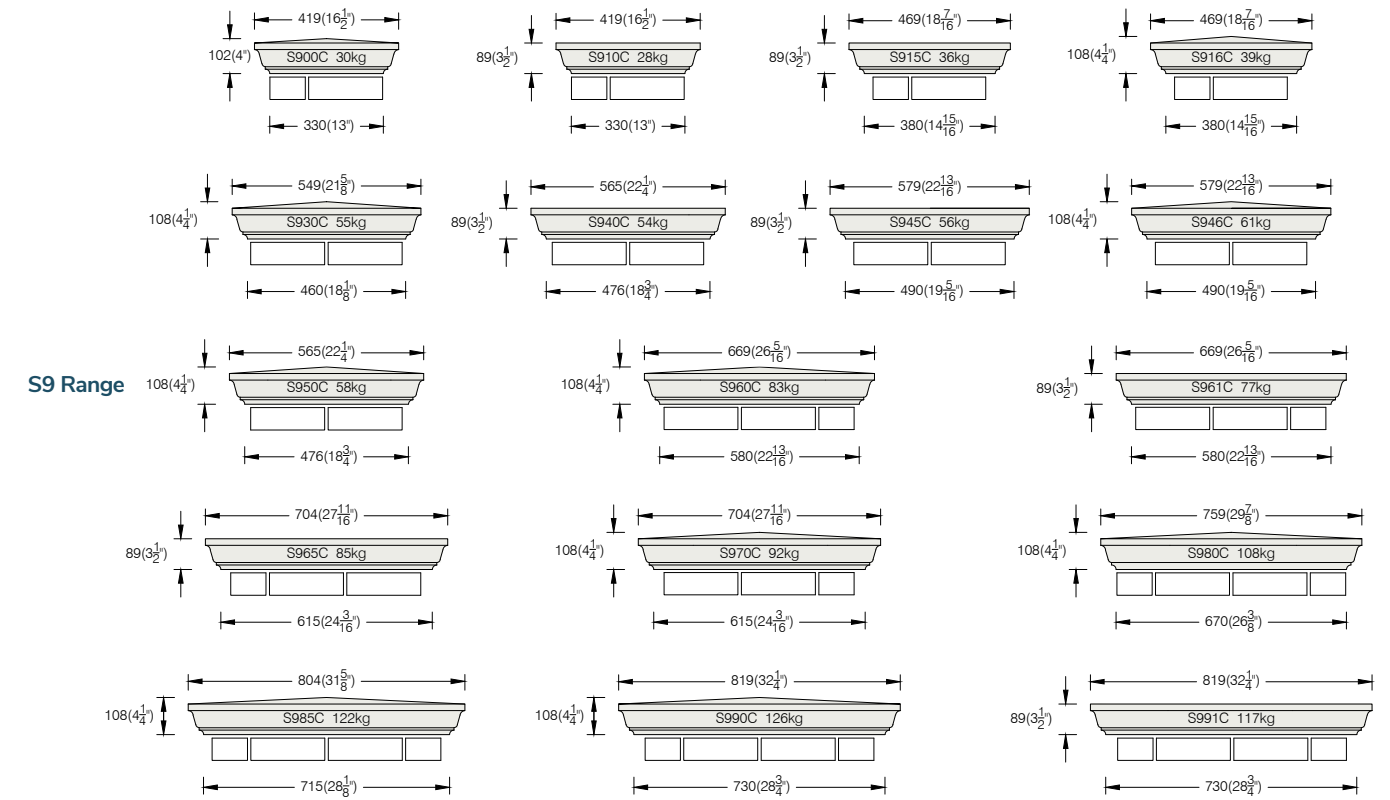
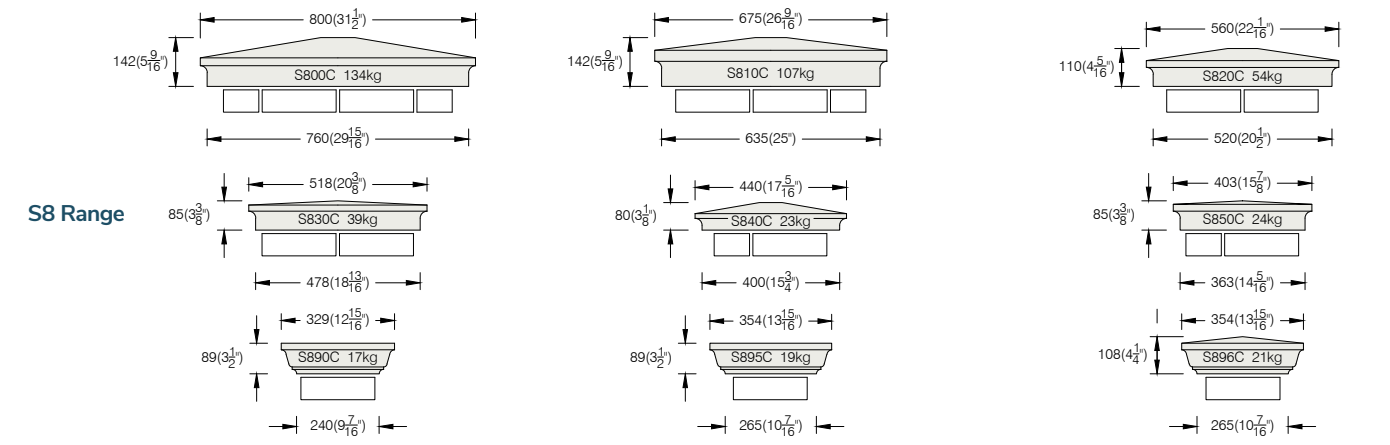
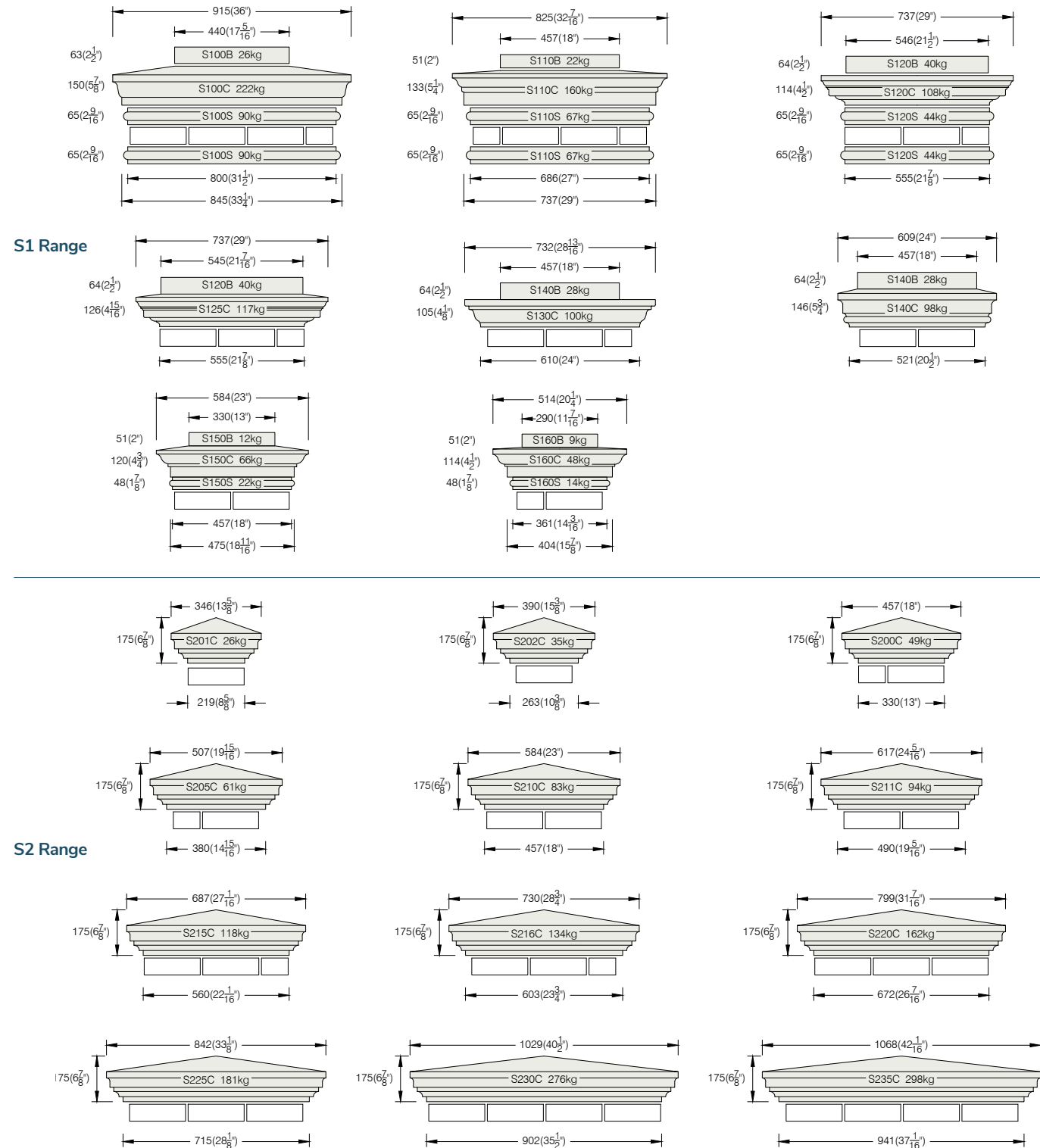
### Pier Caps

Our decorative and plain design pier caps are designed to complement and offer protection to a gate pier, post or pillar.

All of our pier caps are supplied weathered (sloped) or flat.

We offer the option to cast holes for lighting systems into our pier caps at production stage and likewise, they can also be drilled during installation.

Our range of pier caps has been designed to complement other architectural components, including our ball and decorative finials.



Bespoke designs available on request.



# Building and Construction

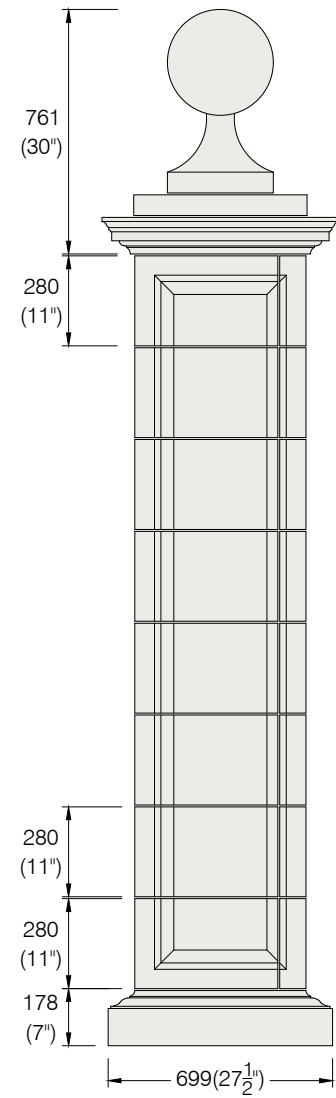
## Wall Dressings

### Gate Piers

If you're looking to create an entrance or driveway that leaves a lasting impression, then gate piers are the perfect way to achieve that. Gate piers are designed to support gates and to define an entranceway.

Flexible heights available.

Our gate piers have been designed to complement our other architectural components including our plaques and finials.



**Gate Pier S120**

Tech Sheet: M40



Bespoke designs available on request.



# Building and Construction Wall Dressings

## Roundels, Plaques and Date Stones

A collection of wall dressings add a personal touch to any new build, renovation or restoration project.

Our roundels, plaques and date stones are designed to be built into stone or brick walls and are available in a range of styles.



**Rectangular  
Q630**

**Length:** 440mm (17<sup>5</sup>/<sub>16</sub>"")  
**Height:** 290mm (11<sup>1</sup>/<sub>16</sub>"")  
**Thickness:** 102mm (4")  
**Weight:** 26kg (57 lb)

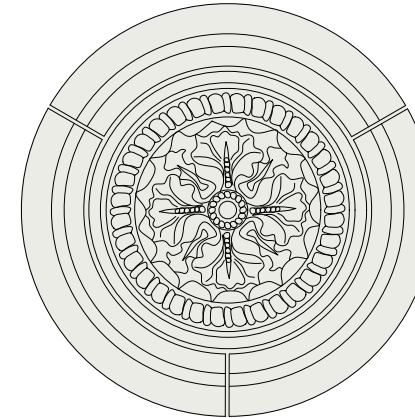


Image shows  
Q620 / Q621

**Gothic Roundel  
Q620**

**Diameter:** 432mm (17")  
**Thickness:** 115mm (4<sup>1</sup>/<sub>2</sub>"")  
**Weight:** 31kg (68 lb)

**Surround (Optional)  
Q621**

**Internal diameter:** 445mm (17<sup>1</sup>/<sub>2</sub>"")  
**External diameter:** 625mm (24<sup>1</sup>/<sub>2</sub>"")  
**Thickness:** 200mm (7<sup>7</sup>/<sub>8</sub>"")  
**Weight:** 21kg (46 lb)

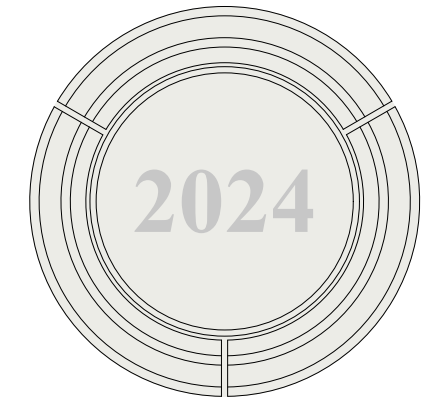


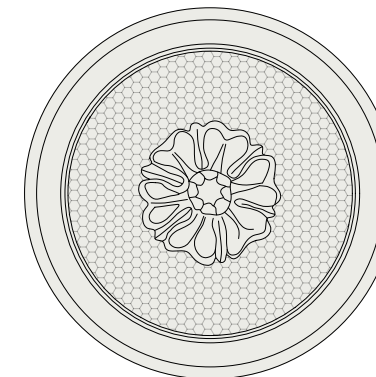
Image shows  
Q625 / Q621

**Circular Roundel  
Q625**

**Diameter:** 432mm (17")  
**Thickness:** 102mm (4")  
**Weight:** 30kg (66 lb)

**Surround (Optional)  
Q621**

**Internal diameter:** 445mm (17<sup>1</sup>/<sub>2</sub>"")  
**External diameter:** 625mm (24<sup>1</sup>/<sub>2</sub>"")  
**Thickness:** 200mm (7<sup>7</sup>/<sub>8</sub>"")  
**Weight:** 21kg (46 lb)



**Rose Roundel  
Q640**

**Diameter:** 595mm (23<sup>1</sup>/<sub>2</sub>"")  
**Thickness:** 100mm (3<sup>15</sup>/<sub>16</sub>"")  
**Weight:** 36kg (79 lb)



**Swagged Roundel  
Q650**

**Diameter:** 785mm (31")  
**Thickness:** 110mm (4<sup>1</sup>/<sub>2</sub>"")  
**Weight:** 84kg (185 lb)

Bespoke designs available on request.

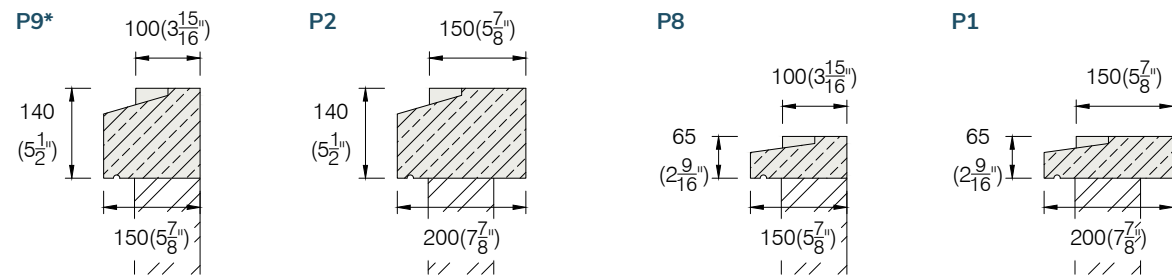


# Building and Construction

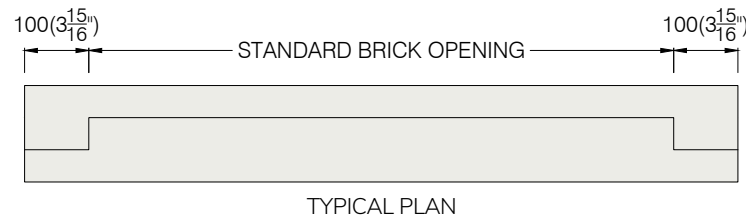
## Window Dressings

### Window Cills

Our window cills are designed to suit standard structural brick opening dimensions. Suitable for one or two-brick course heights in a normal cavity wall situation.

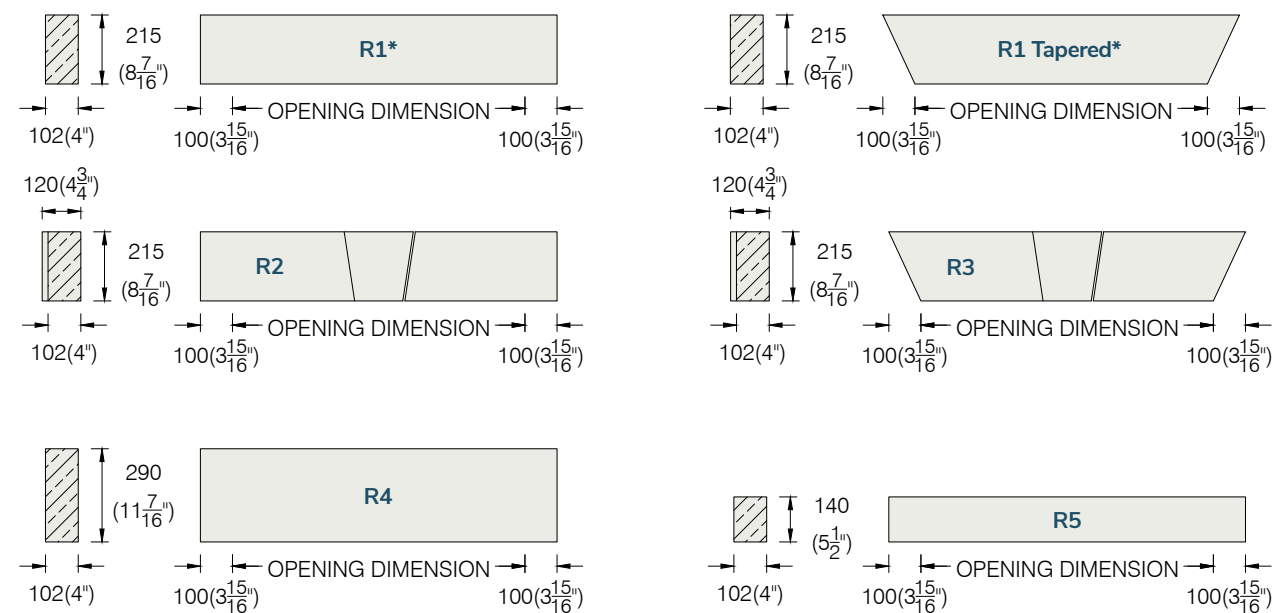


\*Also available to suit rendered walls.



### Window Heads

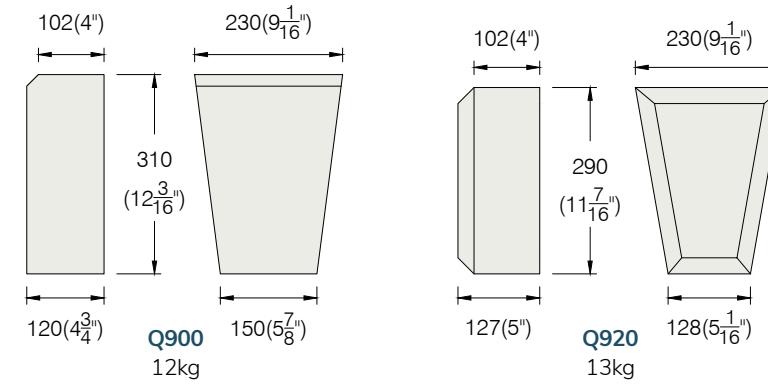
Our window heads are designed to suit standard structural brick opening dimensions. Available in three standard designs: R1 (plain-ended or tapered), R2 (plain-ended with integral keystone) and R3 (tapered with integral keystone). Each window head is designed to suit a two, three or four-brick course height and can be used in conjunction with our range of keystones. Supporting lintels must be used as these window heads are not structural members.



\*Also available to suit rendered walls.

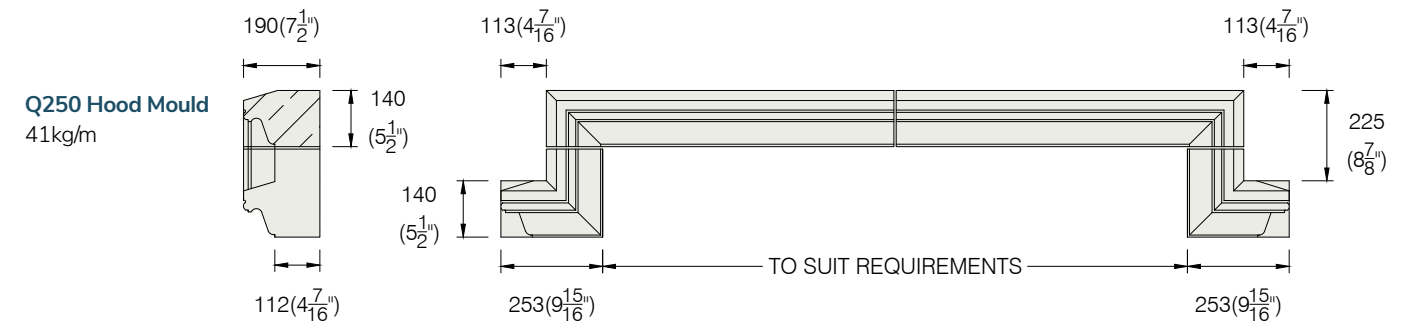
### Keystones

Two standard designs available to either sit alone above a window, or to be built into the window head.



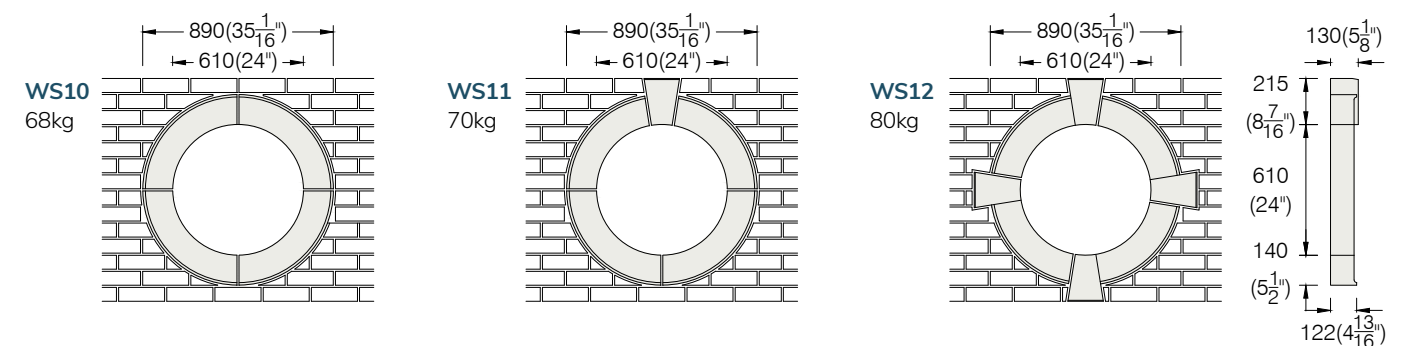
### Hood Moulds

Supporting lintels must be used as hood moulds are non-structural.



### Bull's Eye Window Surrounds

Available in three standard styles.



Refer to tech sheets for further details. Bespoke designs available on request.

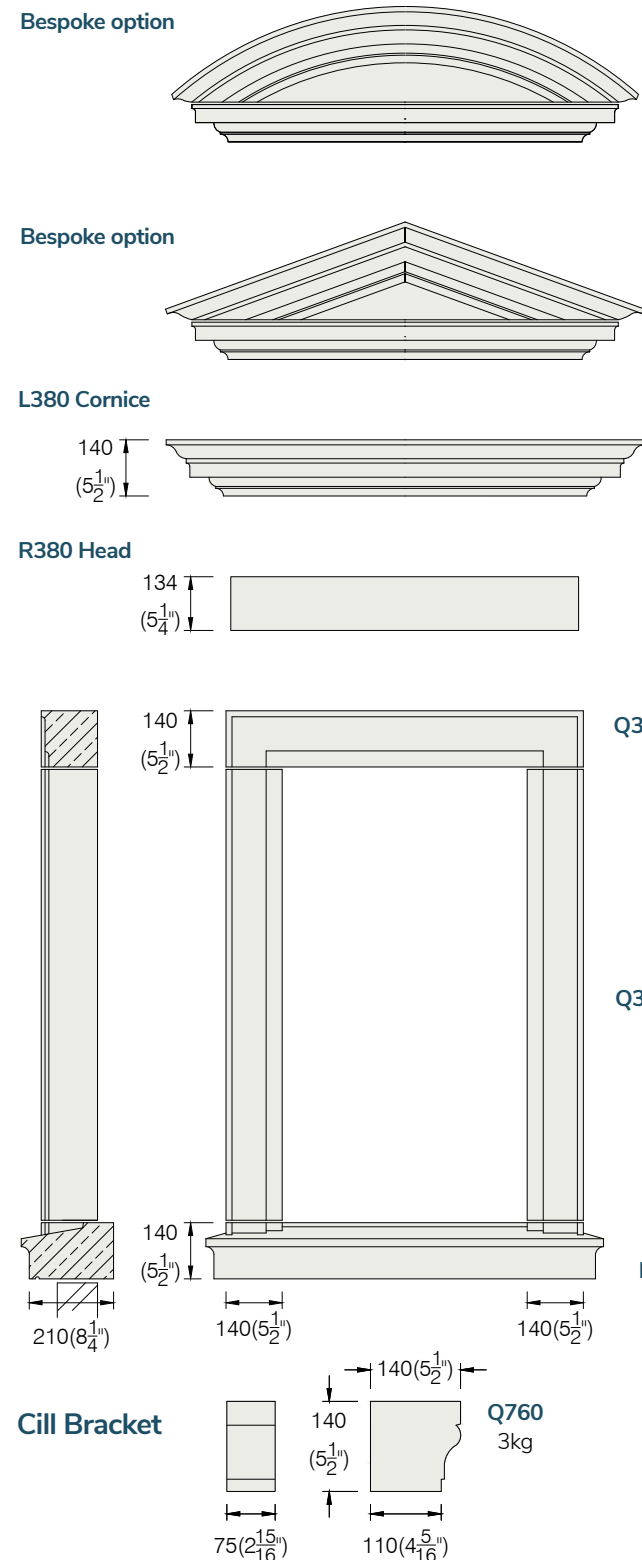


# Building and Construction

## Window Dressings

### Window Surrounds

We offer a range of classical window surrounds which can be tailored to suit your individual project requirements. Based on the Tuscan style, our window surrounds can be used for new build properties or renovations.



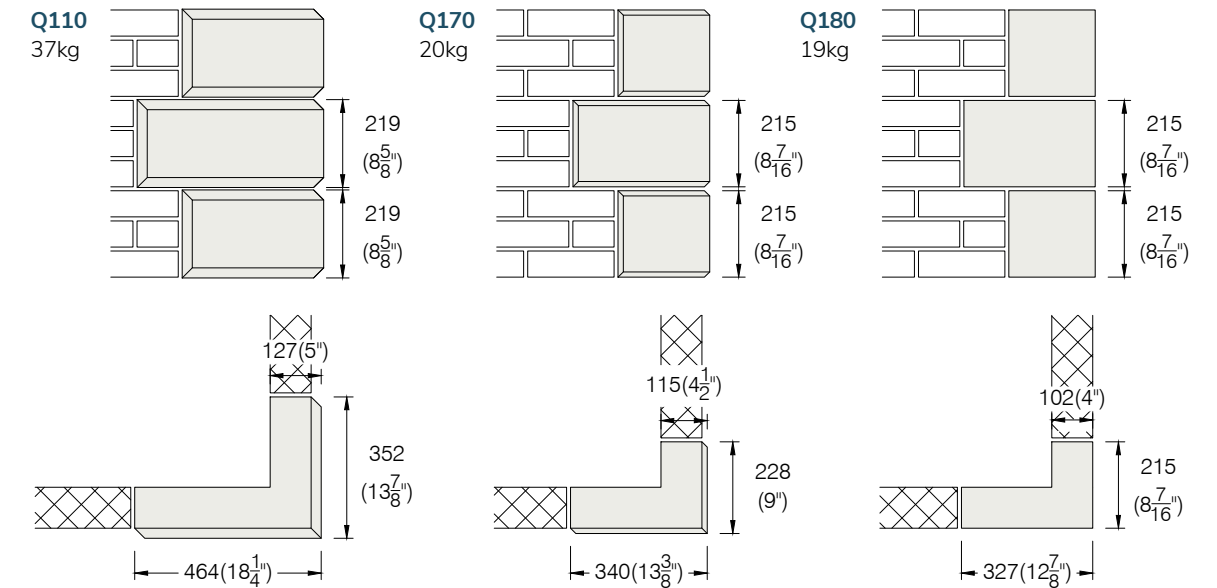
Bespoke designs available on request.

# Building and Construction

## Façade Stonework

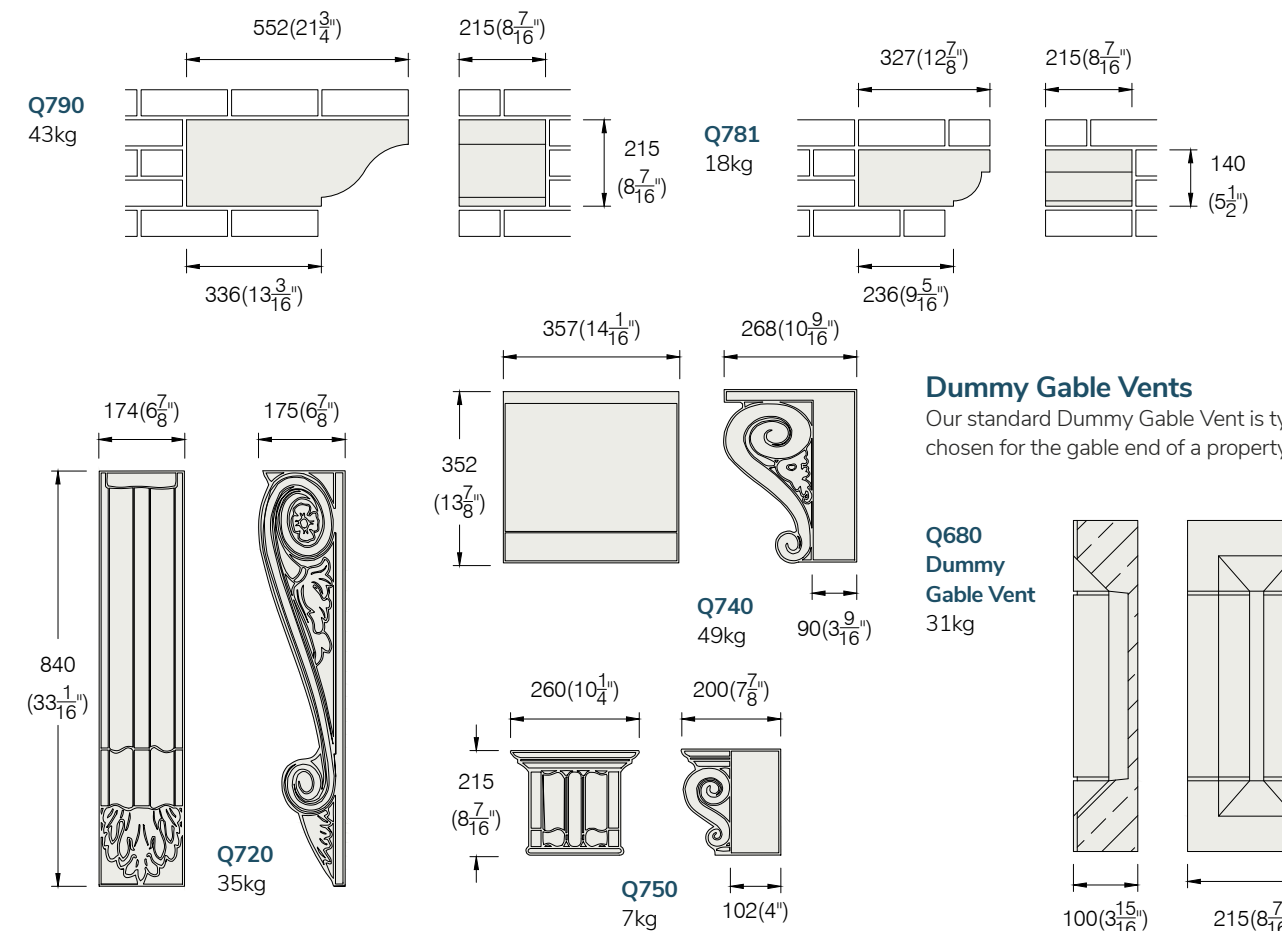
### Quoins

Standard designs to suit most applications.



### Corbels and Brackets

Can be applied as decorative features below cills, ledges, balconies, parapets and any other projecting component.



### Dummy Gable Vents

Our standard Dummy Gable Vent is typically chosen for the gable end of a property.



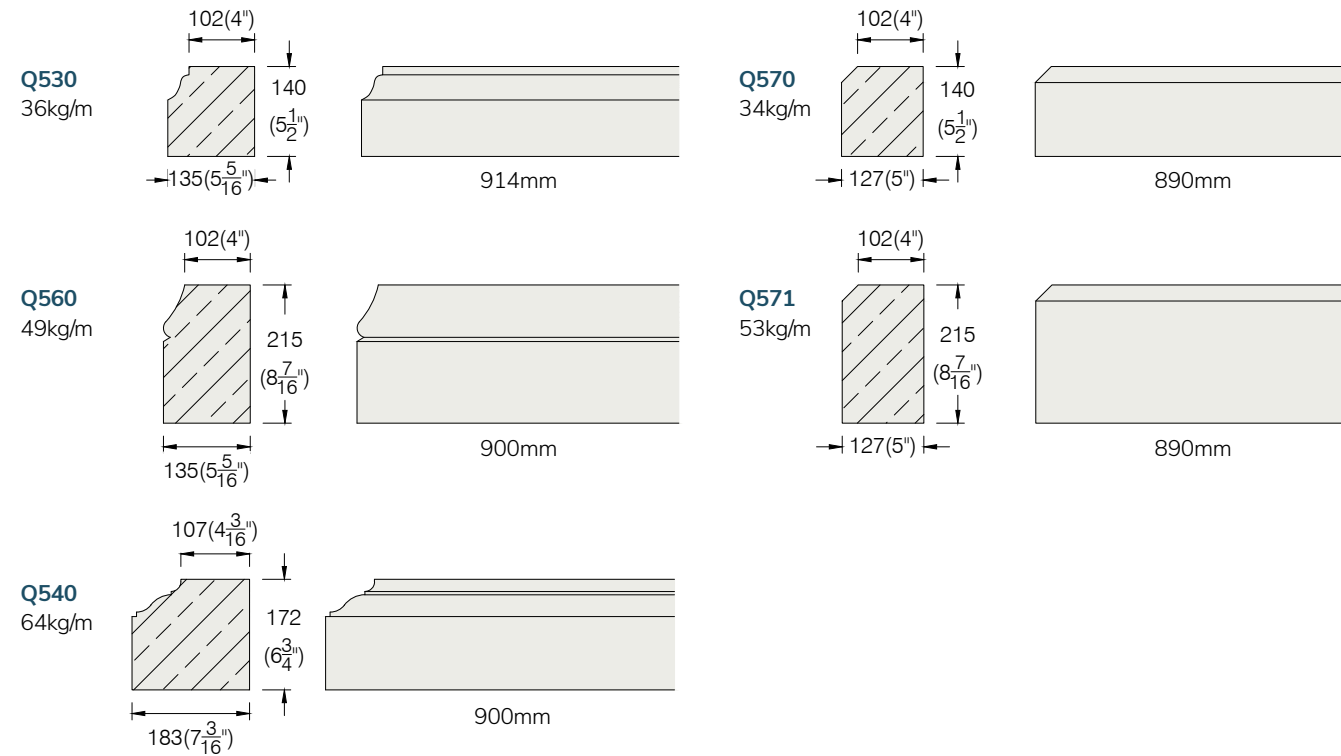
# Building and Construction

## Façade Stonework

String and plinth courses are ideal for helping to break-up monotonous brickwork, and to add an elegant horizontal design feature. They can be designed to be either flush within the wall or to project slightly.

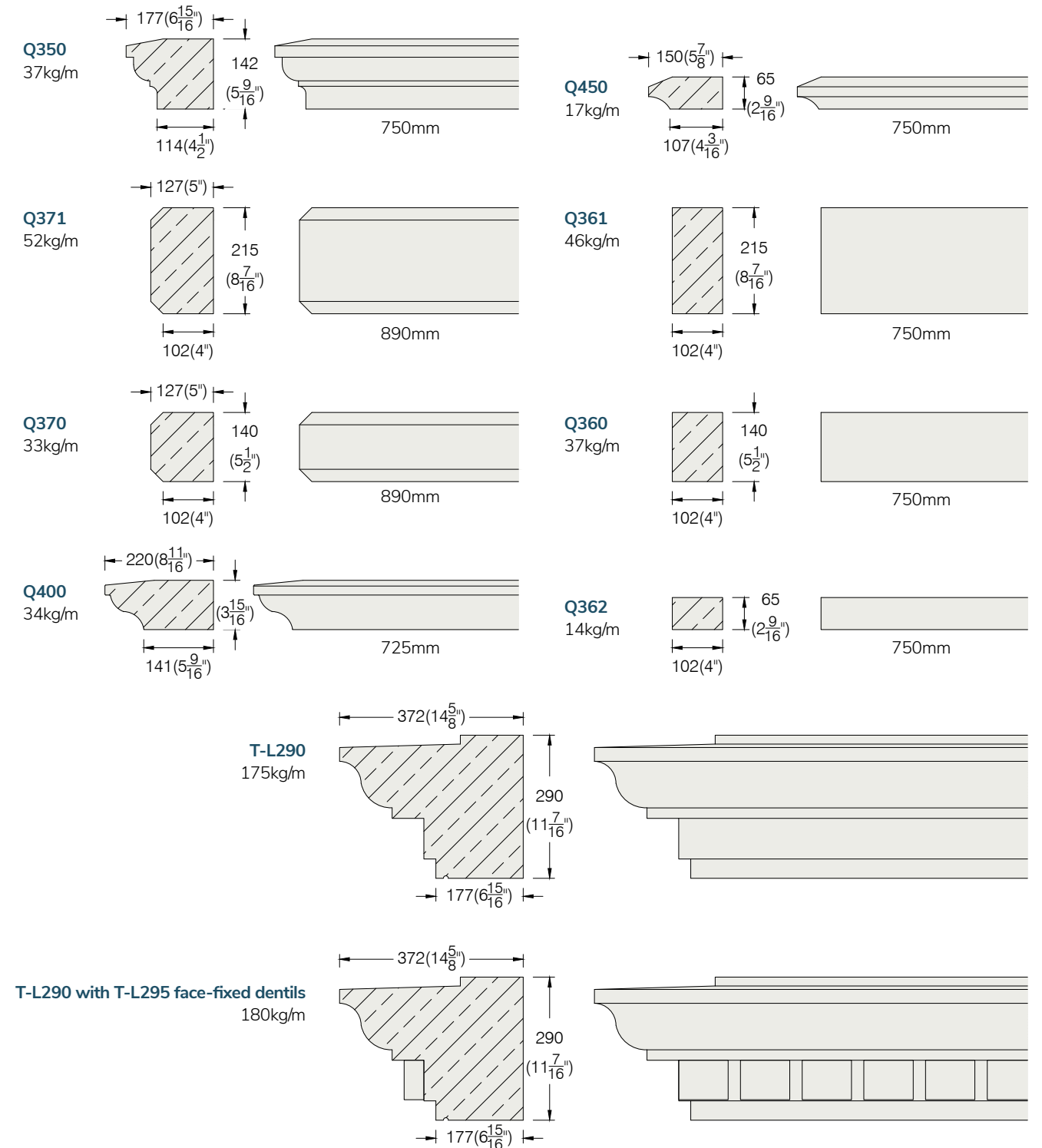
For commercial and residential projects alike, they can be supplied in a range of sizes and can complement other wall dressings, including quoins, corbels and brackets.

### Plinth Courses



Bespoke designs available on request.

### String Courses



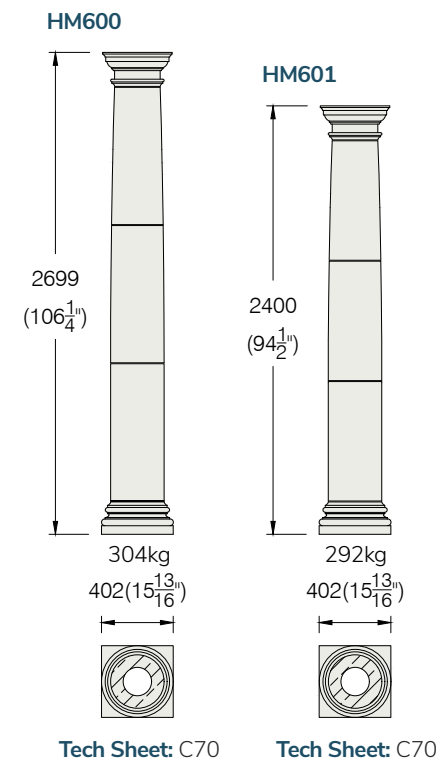


# Building and Construction

## Façade Stonework

### Capital options

See tech sheets for column-specific options.

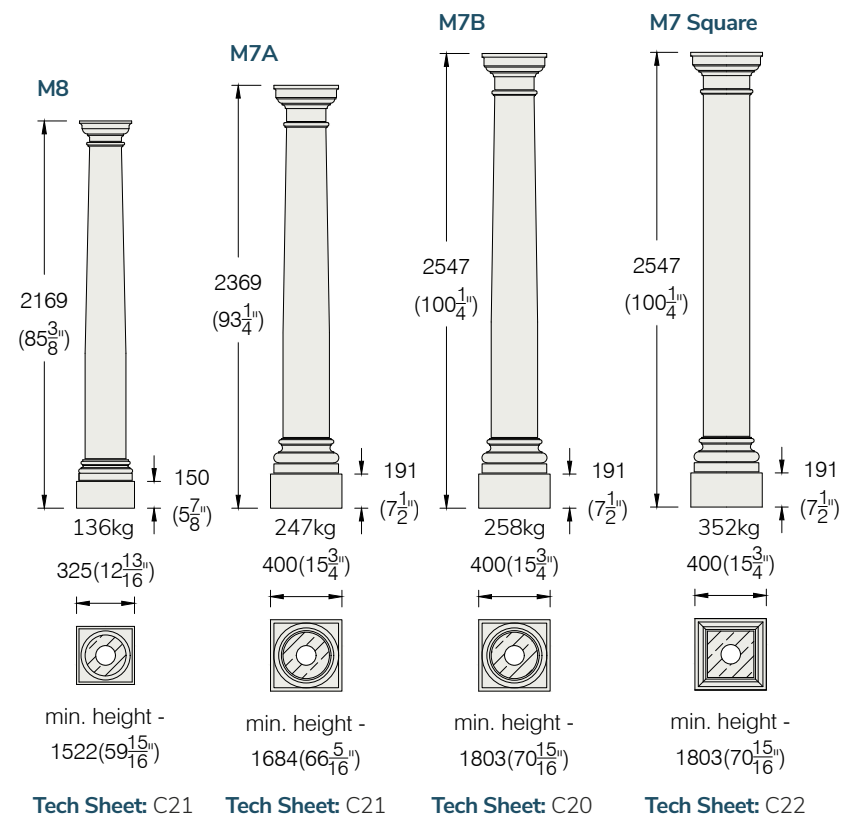


### Columns and Pilasters

Our elegant cast stone columns are inspired by the architecture of ancient Rome and Greece, and are designed in the classical Corinthian, Doric, Ionic and Tuscan orders.

Our range of smaller columns are supplied in one-piece shafts, whilst larger designs are supplied in drum sections, mirroring the style of traditional natural stone columns, and enabling for flexible heights.

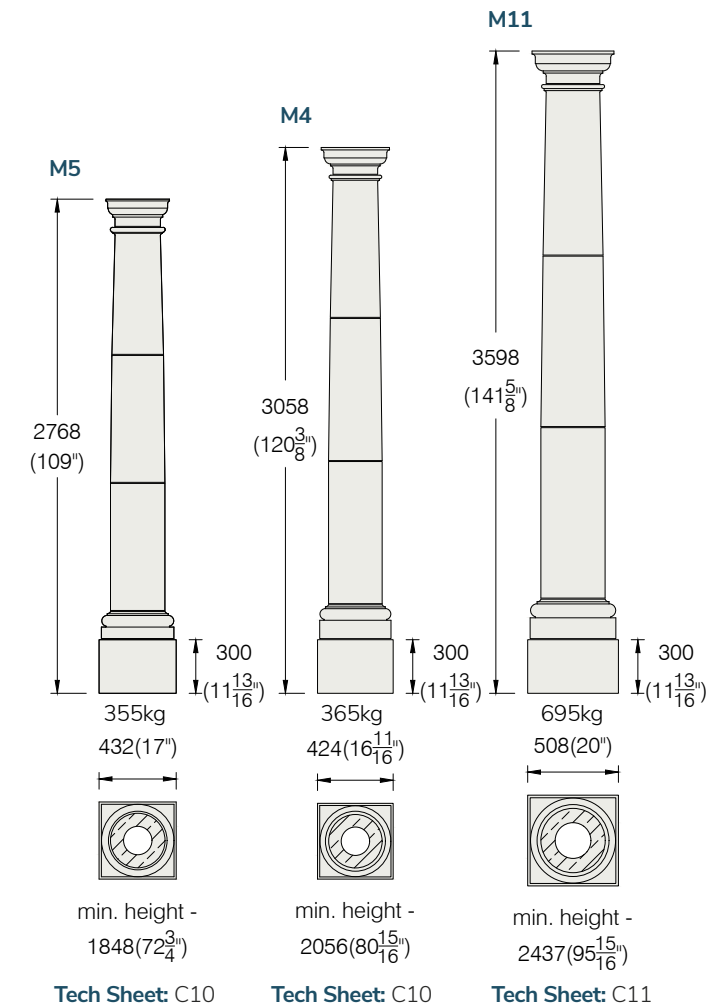
As well as our standard range of columns, we can produce half round columns and square column pilasters. Pedestals are optional.



### Reinforced columns for structural strength

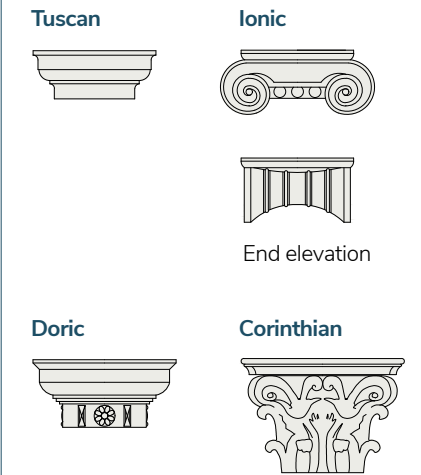
Our columns are supplied with a hollow core as standard or are supplied in halves for cladding steel. They can be filled with reinforced concrete or used to sleeve a structural steel member.

Our columns should be erected on suitable foundations, designed by a structural engineer, to suit loadings and ground conditions. For detailed installation information, please see our technical sheets.



### Capital options

See tech sheets for column-specific options.



## THE GIBBS RANGE



These two elegant columns were designed by Hugh Petter, Director of ADAM Architecture, as part of The GIBBS Range of classical porches, see page 155. Inspired by the Georgian architect James Gibbs (1682-1754), this range of porch designs is suitable for new and historic buildings alike and includes both elaborate and more restrained details.

Tech Sheet: CAD1 Column Assembly Details. Column Assembly Recommendations sheet available.

Tech Sheet: CAD1 Column Assembly Details. Column Assembly Recommendations sheet available.

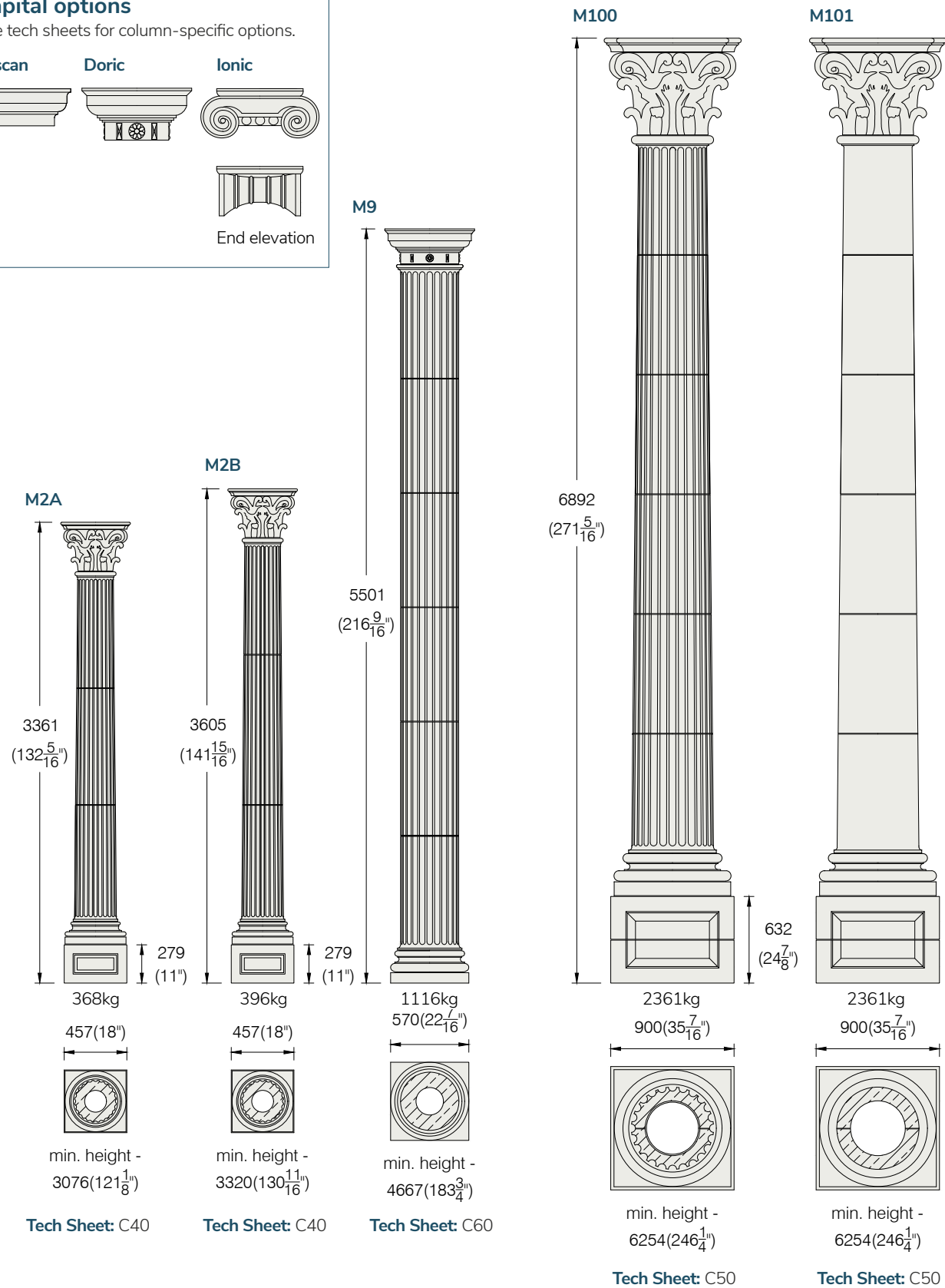
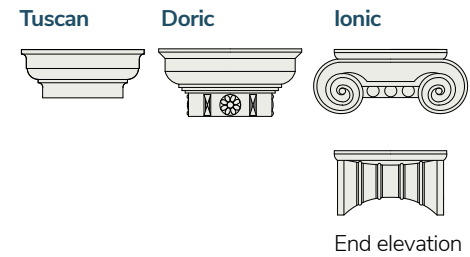


# Building and Construction

## Façade Stonework

### Capital options

See tech sheets for column-specific options.



Tech Sheet: CAD1 Column Assembly Details. Column Assembly Recommendations sheet available.



# Building and Construction

## Façade Stonework

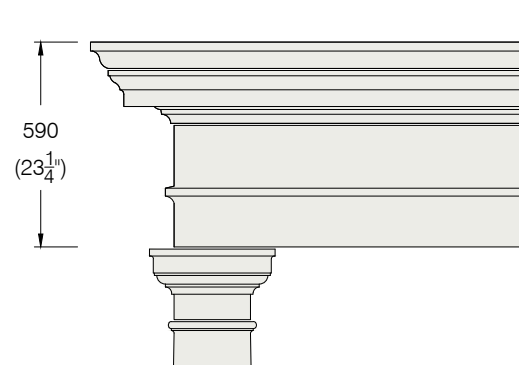
### Porticos

Porticos add instant style and sophistication to the façade of a property.

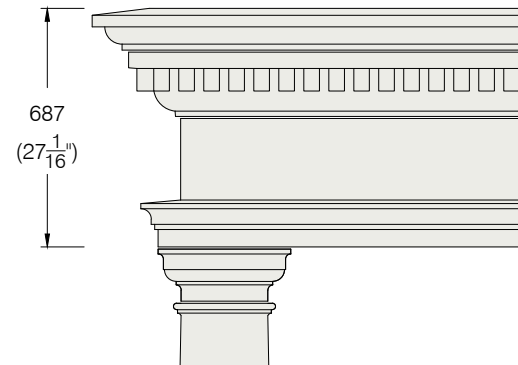
Since the eighteenth century, porticos have been a staple part of many house designs. From their beginnings as a shelter from the elements, porticos are now a popular feature often associated with Georgian, Neo-Georgian and Georgian revival style projects.

We offer five standard portico designs, as well as a bespoke design service, offering curved, straight and octagonal options.

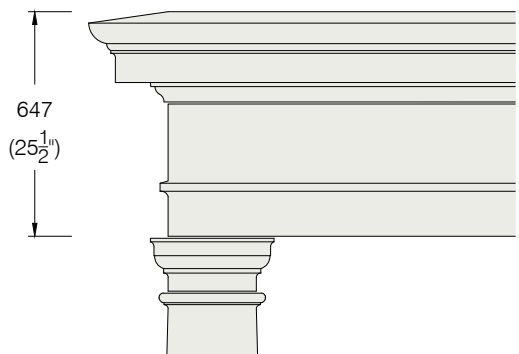
Straightforward installation. Suitable for existing and new builds.



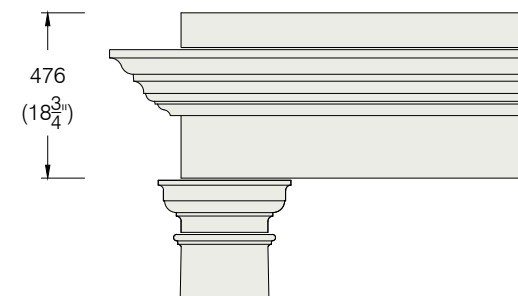
Portico A Tech Sheet: PT10, PT11



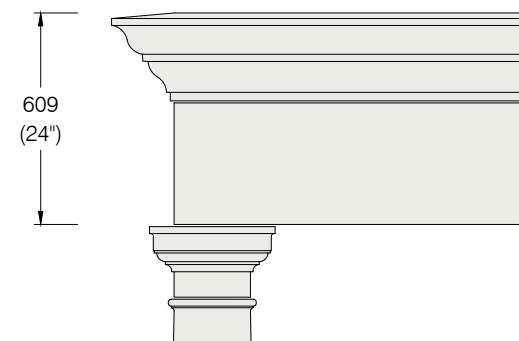
Portico B Tech Sheet: PT20, PT21



Portico C Tech Sheet: PT30, PT31



Portico D Tech Sheet: PT40, PT41



Portico E Tech Sheet: PT50, PT51

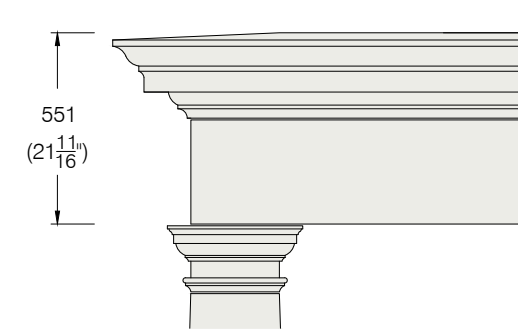


### The GIBBS Range of Classical Porches

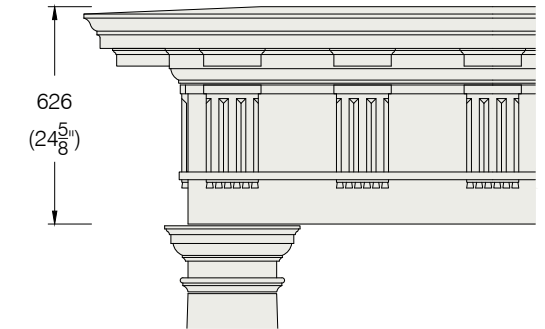
Inspired by the famous architect James Gibbs, The GIBBS Range is a beautiful nod to eighteenth century architecture.

Rooted in tradition, this range of porches has been conceived with the two oldest and most widely used classical orders in mind: Doric and Ionic.

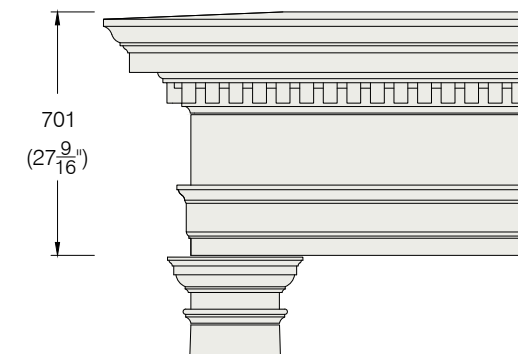
Designed by Hugh Petter, design director of ADAM Architecture, the range is suitable for both new and historic buildings and is intended to offer flexibility for architects in any situation.



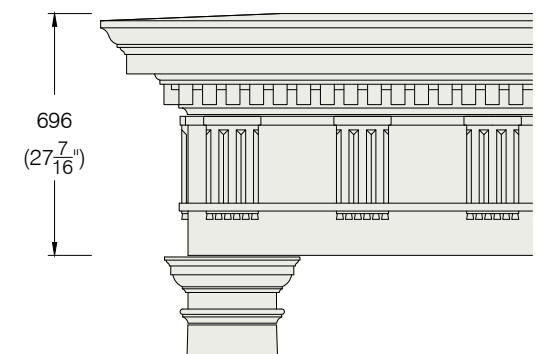
GIBBS I



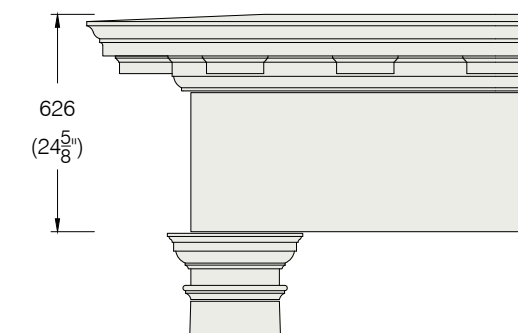
GIBBS II



GIBBS III



GIBBS IV



GIBBS V

THE GIBBS RANGE



Bespoke designs available on request.

For more information including an Installation Guide see [haddonstone.com](http://haddonstone.com)



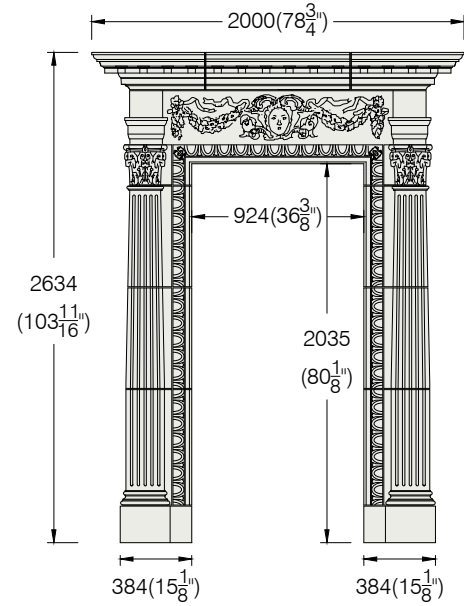
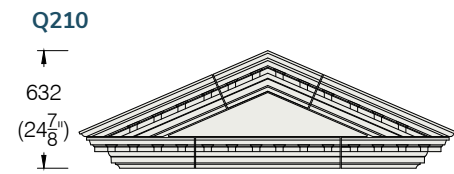
# Building and Construction

## Façade Stonework

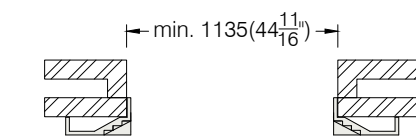
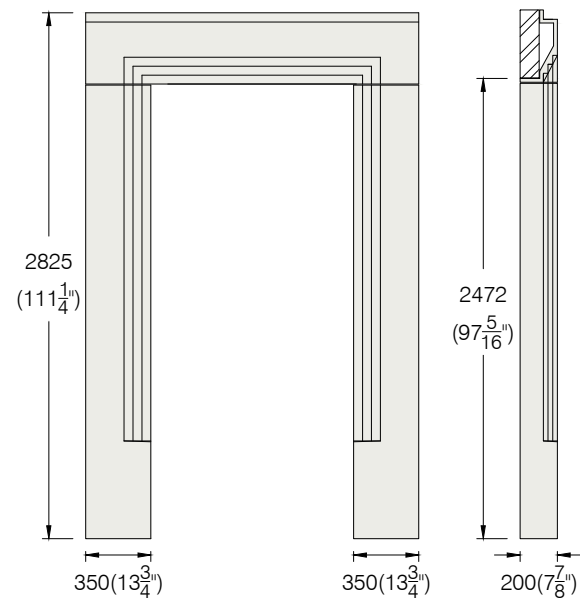
### Door Surrounds

Our range of door surrounds are designed to enhance the entrance to any building.

Suitable for both interior and exterior use, they can incorporate a number of architectural elements including pilasters, door jambs and entablatures.



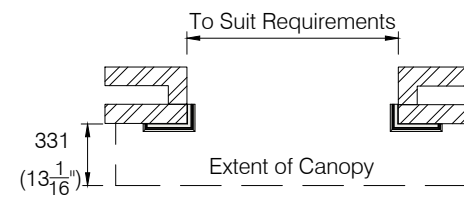
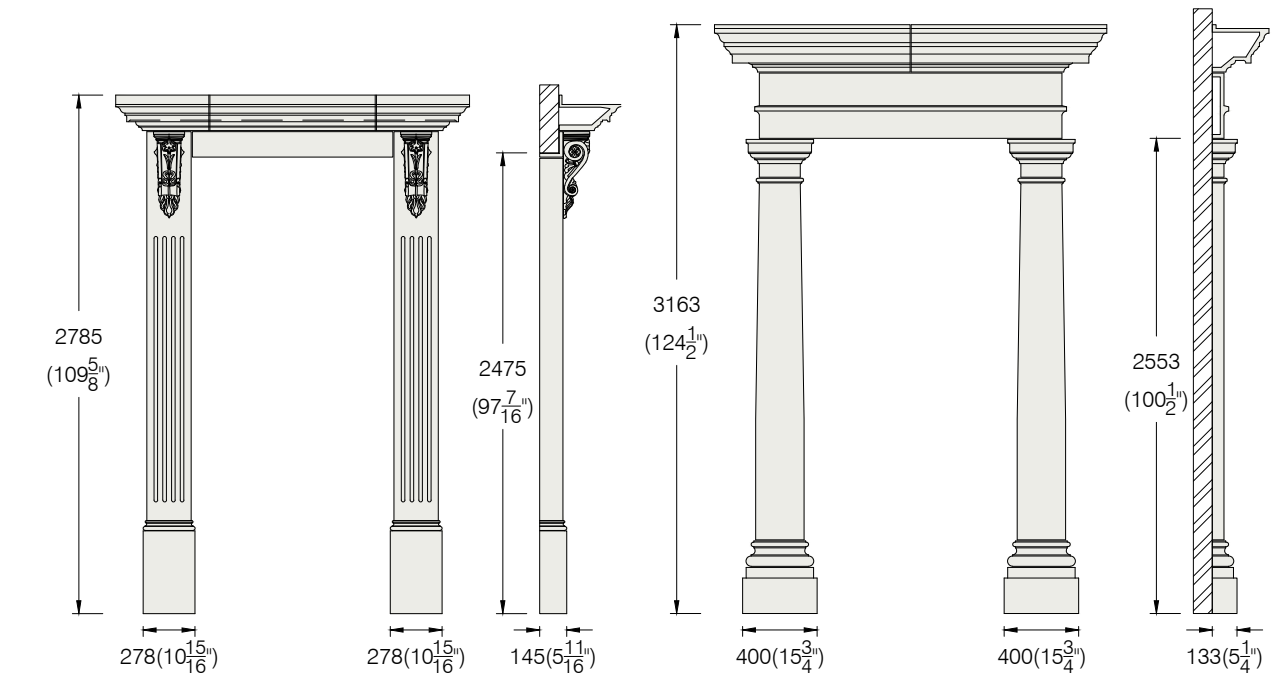
**William Kent Door Surround**  
Built-in  
Q200  
Tech Sheet: DS10



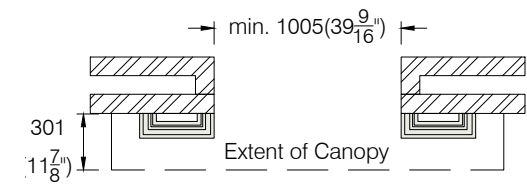
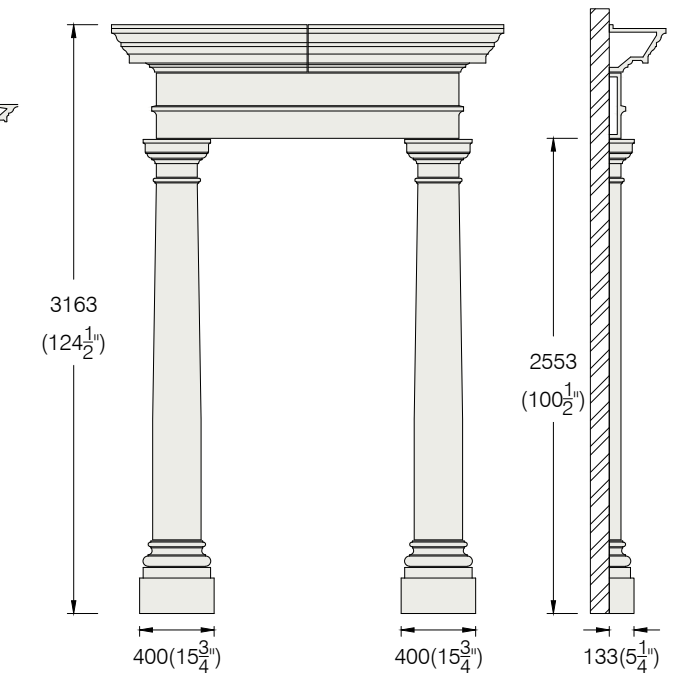
**Art Deco Door Surround**  
Retrofit  
Q340  
Tech Sheet: TL46



**Traditional Door Canopy**  
Retrofit  
Q335



**Traditional Door Surround**  
Retrofit  
Q330  
Tech Sheet: TL43



**Georgian Door Surround**  
Retrofit  
Q320  
Tech Sheet: TL40

Bespoke designs available on request.

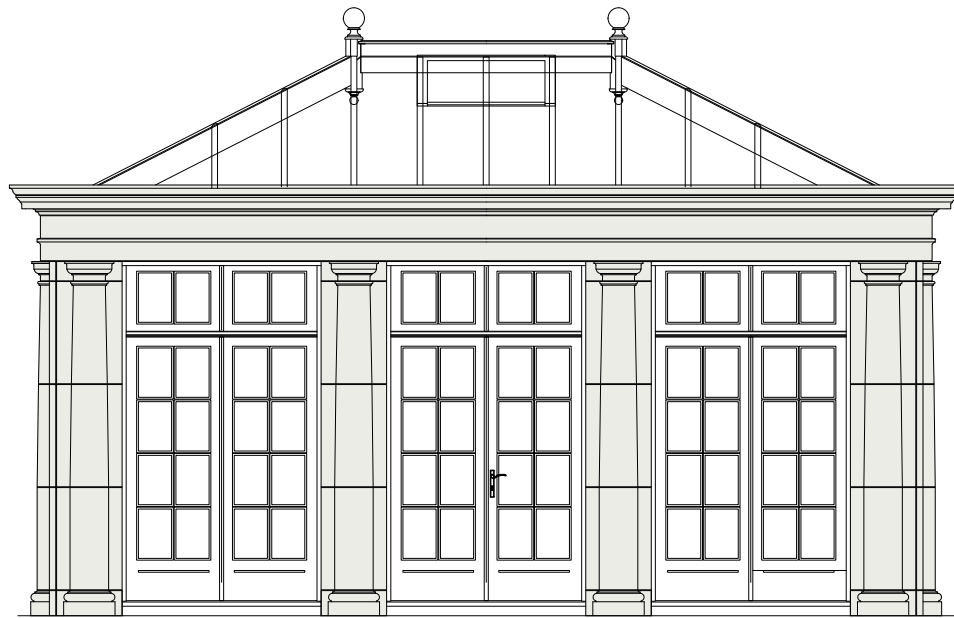


# Building and Construction

## Garden Buildings

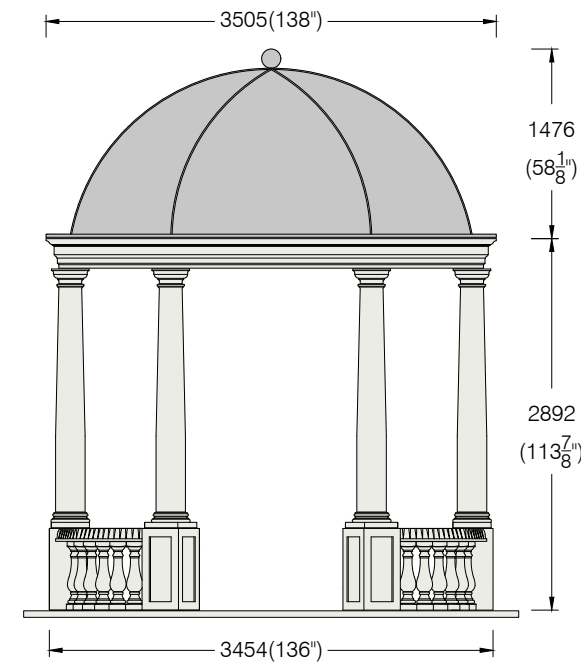
### Orangeries

Elegant and refined, cast stone orangeries provide luxurious additional living space to be enjoyed throughout the seasons. Traditionally used to over-winter citrus fruits for grand country houses, today orangeries are incredibly versatile structures. Used as pool or summer houses, dining rooms, or living rooms, they make for an elegant and functional garden building. Orangery flooring and steps also available.

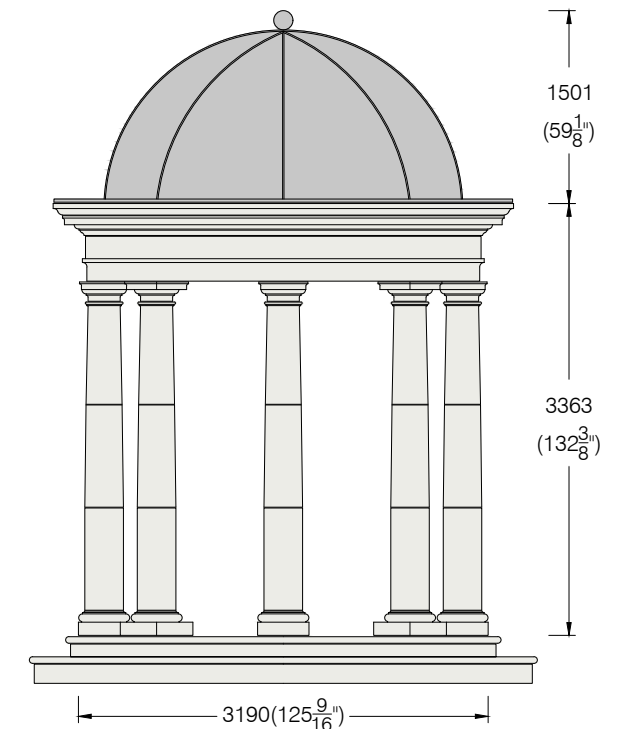


### Temples

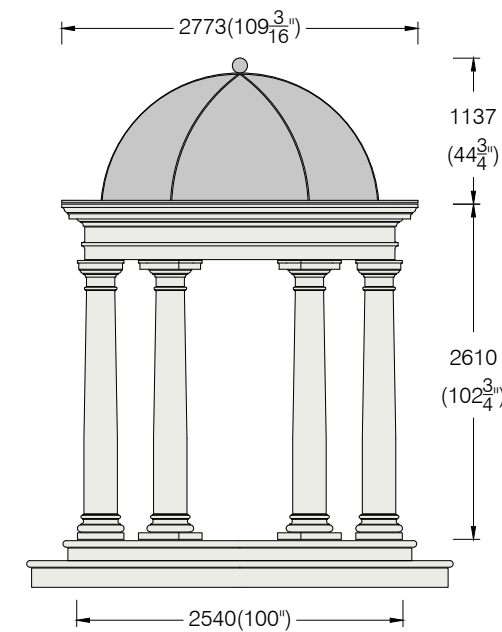
Whilst a relatively small garden building, cast stone temples can have a significant visual effect, acting as a mood-evoking focal point that draws the eye wherever you are. Our temples can be created using a combination of our architectural components, including balustrade, columns, flooring and steps. Glass fibre domes are available in a lead-effect finish for each of our standard and bespoke temples designs. Temple flooring and steps also available. **Tech Sheet:** T25, T35.



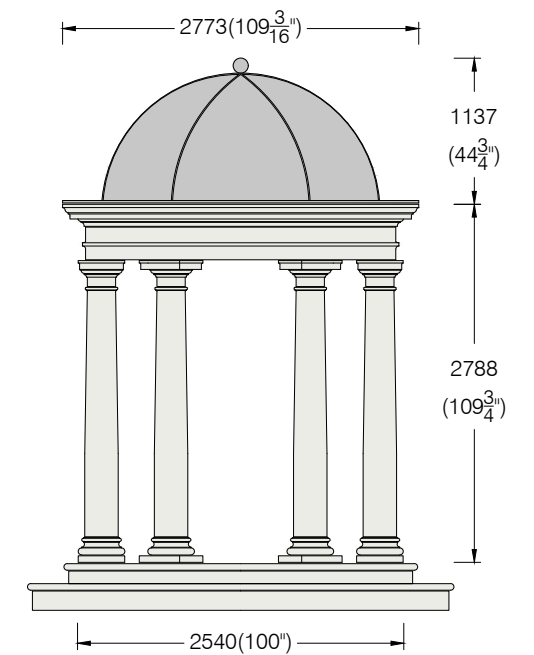
**Balustraded Temple** Tech Sheet: T10, T11, T14  
L9000



**Large Classical Temple** Tech Sheet: T20, T21, T14  
L9100



**Small Classical Temple** Tech Sheet: T30, T31, T14  
L9250



**Small Classical Temple** Tech Sheet: T30, T31, T14  
L9200

Bespoke designs available on request.

**Tech Sheet:** CAD1 Column Assembly Details.



# Building and Construction

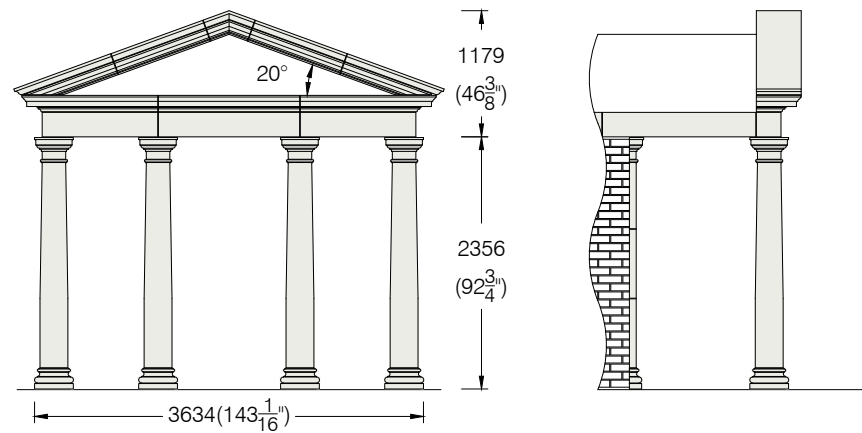
## Garden Buildings

### Pavilions

A freestanding garden building, the unique architecture of a pavilion makes it a pleasing addition to any outdoor space.

Based on our Tuscan columns and available in several styles, from traditional to classical, our pavilions create a stunning focal point.

Flooring and steps also available.



### Pavilion L9300

**Tech Sheet:** T40 for L9300

**Tech Sheet:** T41 for L9300 Detail

**Tech Sheet:** T42 for L9300 Detail

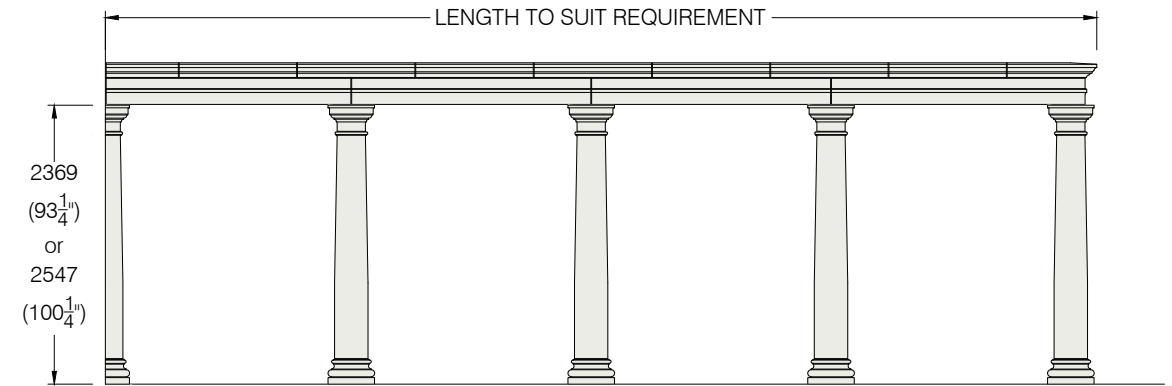
**Tech Sheet:** CAD1 Column Assembly Details

Available in standard pediment angles:

20°

27½°

30°



### Pergolas

Constructed of columns with a Pergola beam and coping, and often used as walkways or passageways, a pergola is a wonderful way to add structure to a garden or landscape.

Ideal for climbing plants, they offer shelter from the sun and can act as a privacy barrier in a garden patio, pool area or terrace.

Whether freestanding or an extension of a building, pergolas can be used in a multitude of ways to really bring together all the elements of a garden.

Designed for the M7 Tuscan column range.

### Pergola L900

**Tech Sheet:** PG10

**Tech Sheet:** CAD1 Column Assembly Details

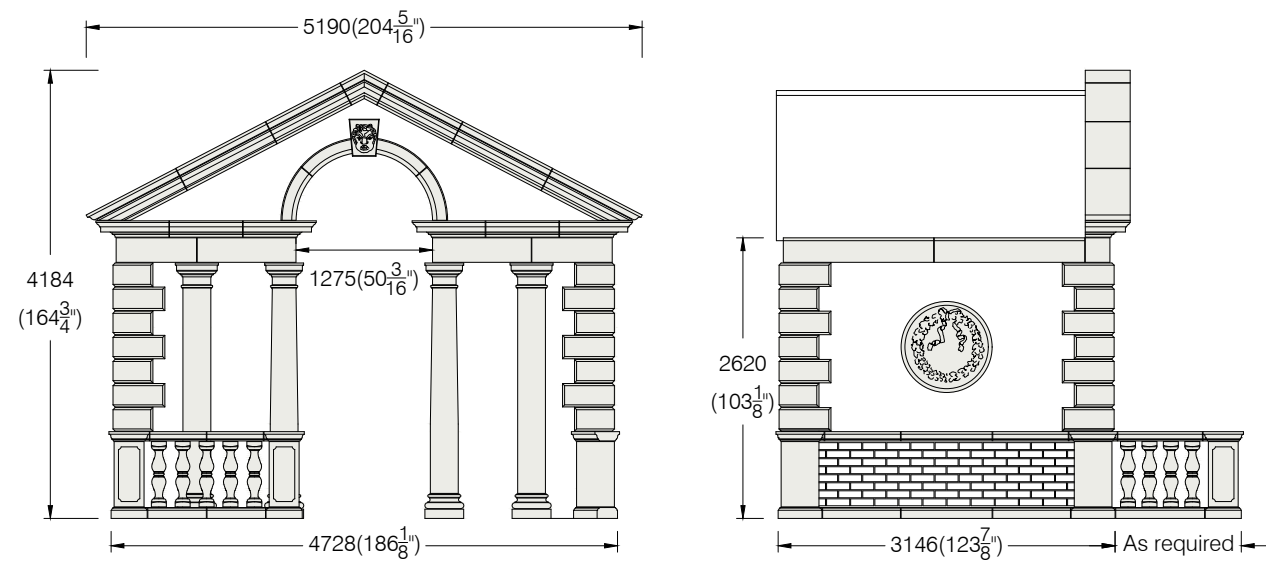


Bespoke designs available on request.



# Building and Construction

## Garden Buildings



**Venetian Folly**  
**L9400**

Tech Sheet: T50, T51, T52



Bespoke designs available on request.

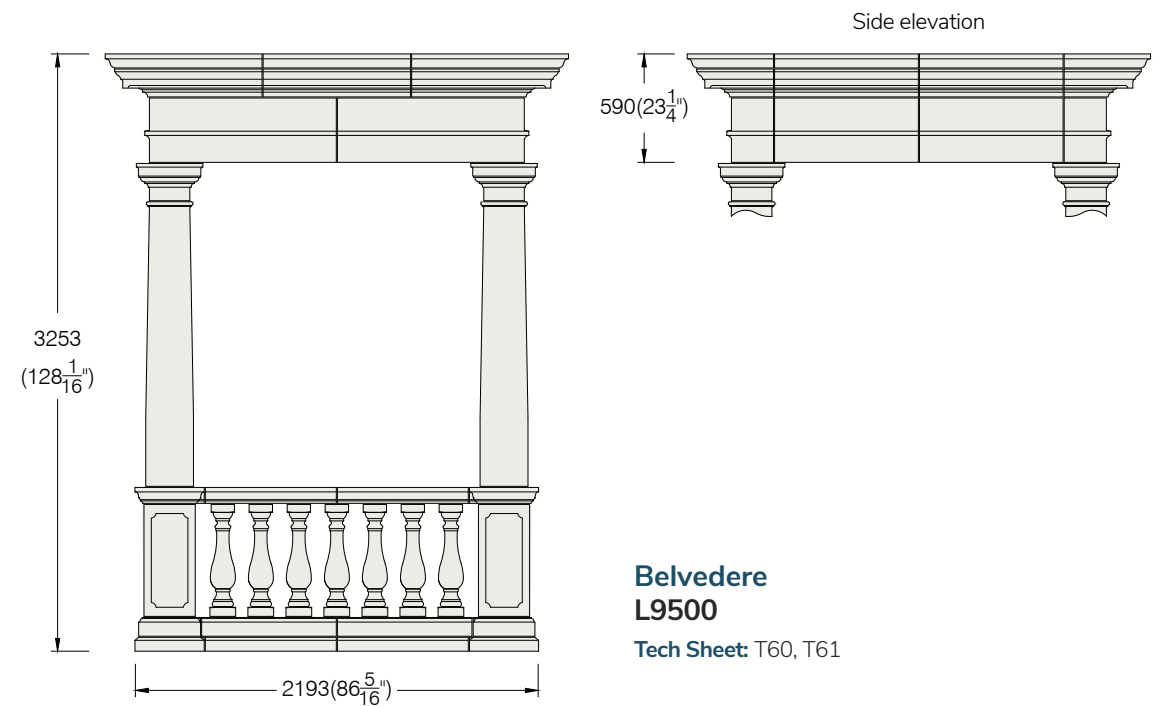
haddonstone.com | 01604 770711 | info@haddonstone.com

### Follies

Follies, sometimes known as grottoes or ruins, have a unique and almost magical element to them.

They were popular in the eighteenth and nineteenth centuries and can still inject personality and intrigue into any modern garden today.

Comprising a selection of our architectural stonework components including columns, quoins, balustrade and entablatures.



**Belvedere**  
**L9500**

Tech Sheet: T60, T61



### Belvedere

The Belvedere is an impressive structure that serves a number of purposes. As well as enabling people to take advantage of a scenic view of a garden or landscape, it also offers shelter from the elements.

Square in plan, the Belvedere utilises some of our standard architectural components including balustrade, columns, cornice and architraves.

haddonstone.com | 01604 770711 | info@haddonstone.com



# Building and Construction

## Balustrade and Parapet Screening

### Balustrade

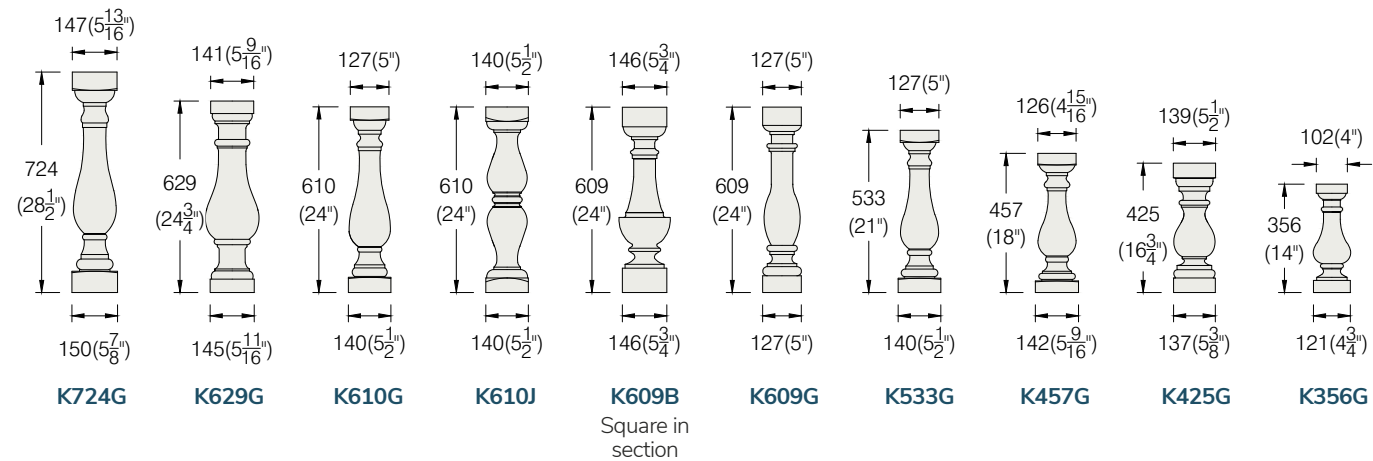
Whether it's a dramatic stairway, an elegant balcony or a way to delineate a courtyard or patio, balustrade can be used to enhance all kinds of projects.

Our balustrade range is suitable for any layout and can be designed to comply with building regulations, if required.

We manufacture standard piers for corners, ends and 135° angles, as well as ramps for staircases.

Suitable for indoor and outdoor settings.

Complementary landscaping components including paving, steps, finials and planters also available.



### Standard Balusters

Tech Sheet: B75



### 1. The Standard Range

FC – Flat Central Run-in

Tech Sheet: B10, B70, B90, B92, GAR1

### 2. The Standard Range

FS – Flat Side Run-in

Tech Sheet: B15, B70, B91, B93, GAR1

### 3. The Standard Range

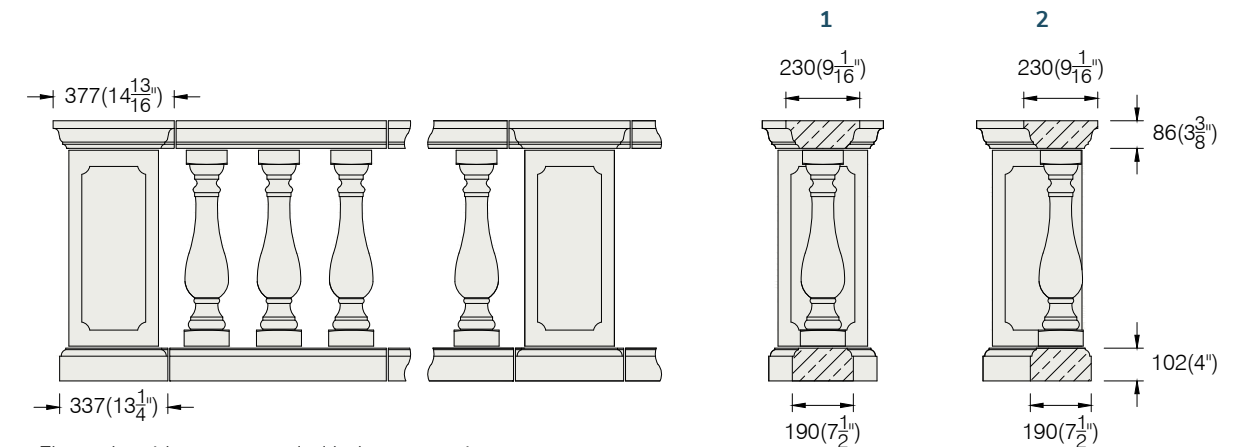
PC – Part-weathered Central Run-in

Tech Sheet: B20, B70, B90, B92, GAR1

### 4. The Standard Range

PS – Part-weathered Side Run-in

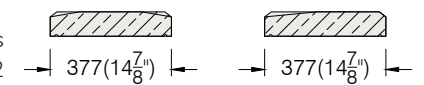
Tech Sheet: B25, B70, B91, B93, GAR1



Tech Sheet: B70

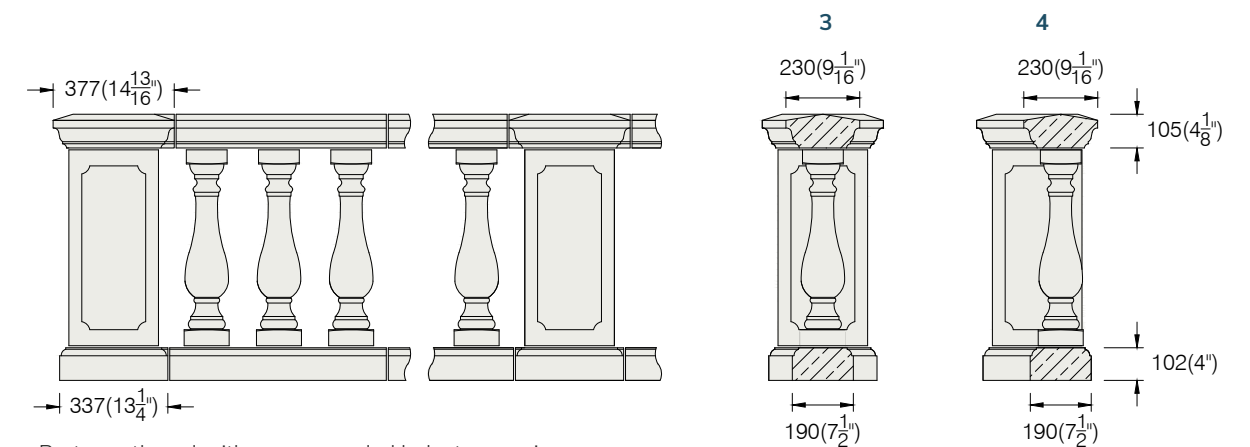
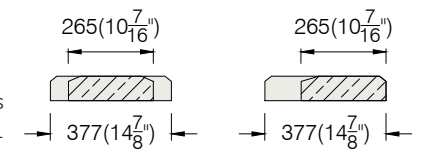
T930 Wide under copings

Tech Sheet: B92



T935 Narrow under copings

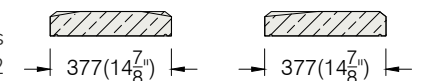
Tech Sheet: B91



Tech Sheet: B70

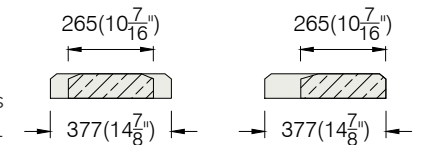
T930 Wide under copings

Tech Sheet: B92



T935 Narrow under copings

Tech Sheet: B91



Balustrading Assembly Recommendations available.

haddonstone.com | 01604 770711 | info@haddonstone.com

Balustrading Assembly Recommendations available.

haddonstone.com | 01604 770711 | info@haddonstone.com



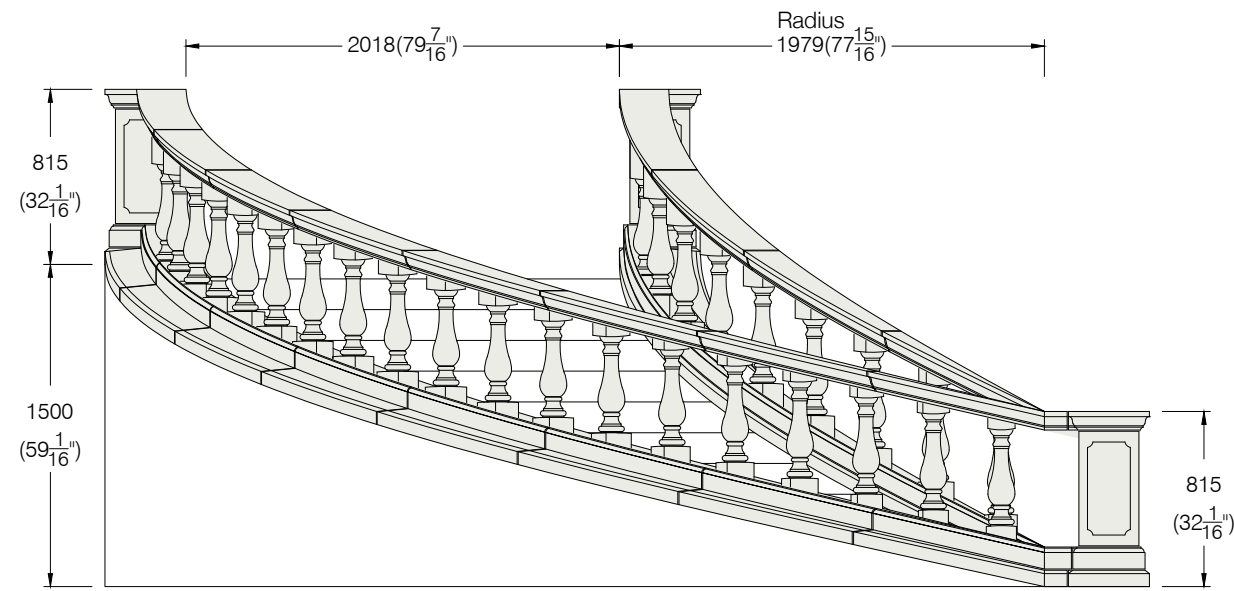
# Building and Construction

## Balustrade and Parapet Screening

### The Spiral Balustrade

Tech Sheet: B60

Standard Spiral Balustrade available in a choice of left and right-hand options. Bespoke designs available on request.



Left hand Spiral Baustrade

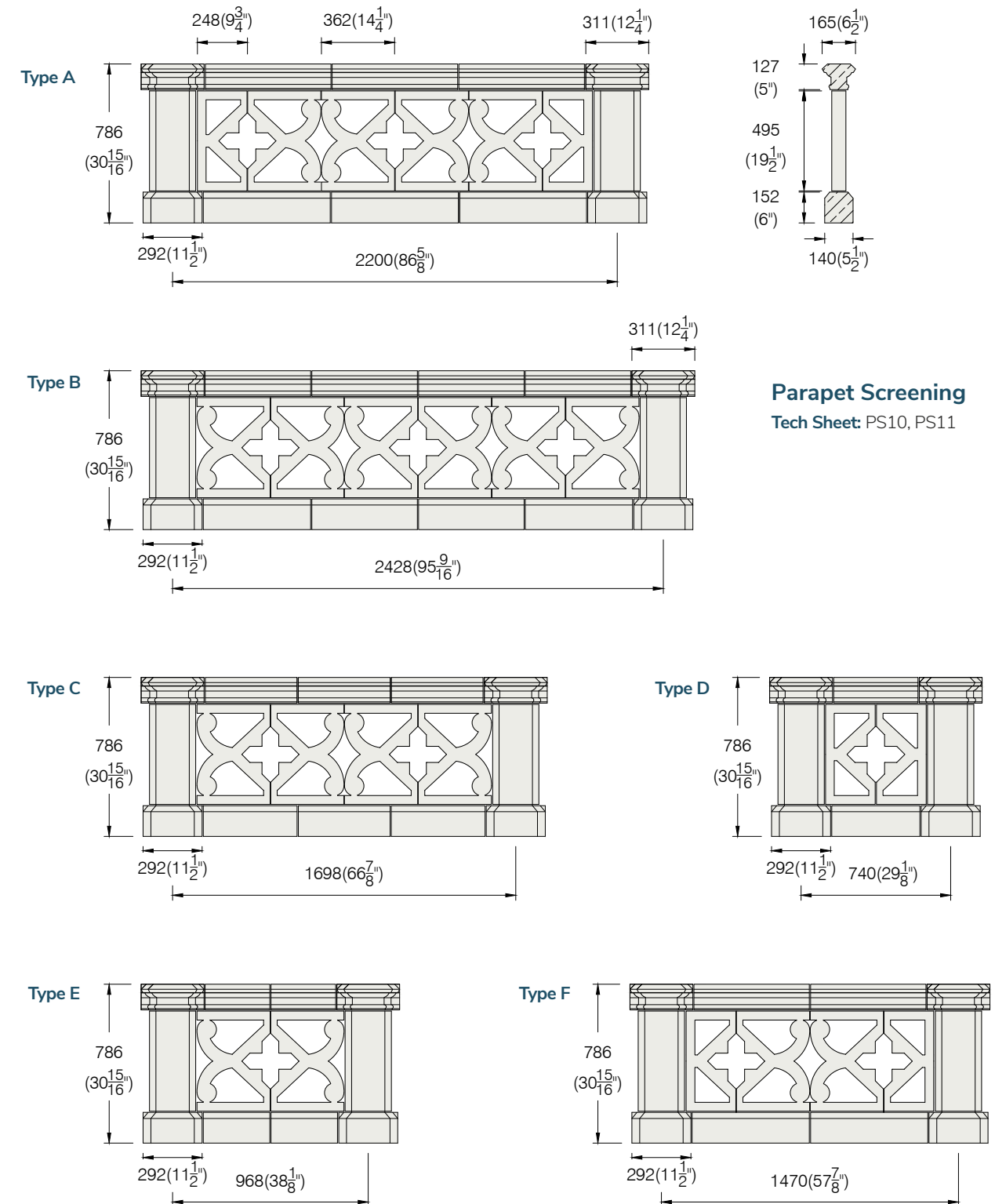


Bespoke designs available on request.

### Parapet Screening

A decorative alternative to balustrade that is ideal for separating both internal and external areas.

Variable lengths and complementary landscaping components available.



Parapet Screening  
 Tech Sheet: PS10, PS11



# Building and Construction

## Steps and Paving

Whether it's a grand staircase inside a home, or steps for a beautiful entranceway or patio area, our elegant and practical steps will help you to build your vision.

Our traditional, integrated and radial cast stone steps are available in four styles. They can be laid horizontally, vertically or on edge to form stairs, low walls, kerbs or sills.

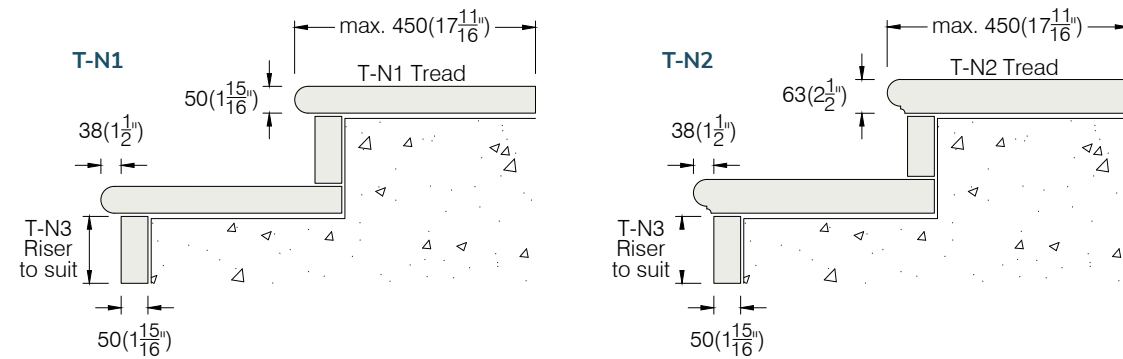
Bull-nose, moulded and plain designs are available, with both straight or rounded edges.

Curved steps and infill components are also available.

Anti-slip and visibility strips can be integrated.

Standard component length of 1000mm.

### Steps



### Spiral Staircase

An elegant alternative to metal and wooden options.

For interior use only.

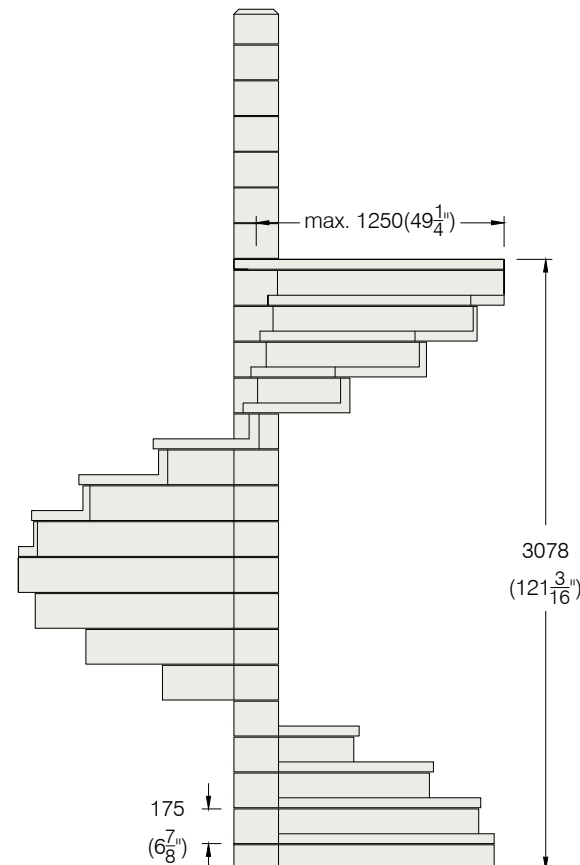
The riser and locating ring play an integral part of each step, making installation easy and straightforward.

Our bespoke landings and top steps allow seamless integration with the surrounding environment.

Radius flexible to your requirements.

Left-hand and right-hand ascending staircase options available.

**Tech Sheet:** S10, S11, S12



Bespoke designs available on request.



### Paving

#### Smooth Paving

Paving with a smooth texture.

**T-N700A:** 600 x 600 x 50mm (23 5/8 x 23 5/8 x 1 15/16")

**T-N701A:** 600 x 300 x 50mm (23 5/8 x 11 13/16 x 1 15/16")

**T-N702A:** 300 x 300 x 50mm (11 13/16 x 11 13/16 x 1 15/16")

**T-N705A:** 450 x 450 x 50mm (17 3/4 x 17 3/4 x 1 15/16")

**T-N706A:** 450 x 225 x 50mm (17 3/4 x 8 7/8 x 1 15/16")

#### Textured Paving

A range of paving with a subtle texture.

**T-N800A:** 600 x 600 x 50mm (23 5/8 x 23 5/8 x 1 15/16")

**T-N801A:** 600 x 300 x 50mm (23 5/8 x 11 13/16 x 1 15/16")

**T-N802A:** 300 x 300 x 50mm (11 13/16 x 11 13/16 x 1 15/16")

**T-N805A:** 450 x 450 x 50mm (17 3/4 x 17 3/4 x 1 15/16")

#### Riven Paving

A natural-look textured range of paving.

**T-N855:** 450 x 450 x 50mm (17 3/4 x 17 3/4 x 1 15/16")

#### Orangery Flooring

A traditional Victorian-style flooring system.

Suitable for indoor use.

**T-N750A / T-N775A:** 394 x 394 x 50mm (15 1/2 x 15 1/2 x 1 15/16")

**T-N750B / T-N775A:** 102 x 102 x 50mm (4 x 4 x 1 15/16")

**All Paving - Tech Sheet:** PV10

### Blanc de Bierges Paving

Modular striated paving with extremely low skid and slip potential (Pendulum Test Value of 76).

A variety of kerb profiles and styles also available.

**VN50R140-140:** 140mm x 140mm x 50mm (5 1/2 x 5 1/2 x 1 15/16")

**VN50R290-290:** 290mm x 290mm x 50mm (3 1/2 x 3 1/2 x 1 15/16")

**VN50R390-390:** 390mm x 390mm x 50mm (15 3/8 x 15 3/8 x 1 15/16")

**VN50R390-390:** 440mm x 440mm x 50mm (17 3/8 x 17 3/8 x 1 15/16")

**VN50R590-290:** 290mm x 590mm x 50mm (3 1/2 x 23 1/4 x 1 15/16")

**VN50R590-590:** 390mm x 590mm x 50mm (15 3/8 x 23 1/4 x 1 15/16")

**VN50R590-590:** 590mm x 590mm x 50mm (23 1/4 x 23 1/4 x 1 15/16")



Blanc de Bierges Paving



Smooth Paving



Textured Paving



Riven Paving



Orangery Flooring



# Our materials explained



## **Haddonstone (semi-dry cast limestone)**

Haddonstone is a high quality semi-dry cast stone, consisting of over 50% limestone aggregate. With a surface texture similar to Portland stone, Haddonstone is a favourable alternative to natural stone.



## **TecStone (wet-cast limestone)**

TecStone is a high quality wet-cast stone, comprising over 60% natural limestone aggregate. Denser than our Haddonstone material, TecStone is acid etched as standard to provide an attractive appearance similar to a finished natural stone. TecStone is designed to meet demanding performance criteria and can incorporate structural reinforcement and cast-in fixings. TecStone is the preferred material for architectural projects where structural performance is required.



## **TecLite (fibre-reinforced)**

TecLite is a high quality GRC (Glass Fibre Reinforced Concrete). Although it closely resembles cast stone in appearance, the use of thin wall construction means the component weight is significantly reduced when compared with similar Haddonstone and TecStone pieces. Its high strength to weight ratio makes TecLite ideal for retrofit, renovation and timber frame build projects.





## A choice of stylish colours

Our Home and Garden, and Building and Construction designs are available to choose in a range of stylish colours.

We offer free colour and material samples on request, so you can be confident in choosing the perfect cast stonework for your garden, landscape or property.



Portland 01



Bath 02



Terracotta 04



Coade 05



Slate 06



Ivory 08





## Recommended installers

We are pleased to work alongside independent installers who have the required experience and expertise in installing our products to a high standard.

Installers share our values surrounding quality craftsmanship and customer service. Please contact us directly to receive details of installers in your area.



## Safe delivery

Haddonstone has its own transport fleet, enabling us to deliver our products throughout mainland Britain. This ensures that you receive your Haddonstone designs in perfect condition, directly from our manufactory.

Occasionally, we may use third party delivery services, so that you receive your order at the earliest opportunity after purchase. This particularly applies in more rural locations and outside mainland Britain.

All Building and Construction components are complemented with corresponding documentation and pallet manifests.

For our overseas clients, our in-house packing and crating facilities, as well as the use of selected freight forwarders means the safe delivery of our designs to any country.



## Meeting industry standards

We are a founding member of the United Kingdom Cast Stone Association (UKCSA). All of our materials therefore exceed the strict levels of technical performance requirements of BS 1217:2008, BS5642-2: 1983 + A1 2014 and BS EN 13198: 2003.

As part of our Quality Assurance procedures, we regularly test all of our materials to ensure they meet the high levels of quality and durability required.



## A team of passionate experts

Every member of the Haddonstone team shares our core values, to provide unrivalled expertise, and the highest level of skill and craftsmanship. Our vastly-experienced Building and Construction team will provide expert technical advice, quotations and CAD drawings. They are always on hand to guarantee a smooth process throughout your Haddonstone journey.



## Our commitment to the environment

Haddonstone is proudly committed to sustainability, and we continually strive towards reducing our impact on both society and the environment.

Sustainability policies are embedded across our production processes, including protocols to avoid the use of hazardous substances and to prevent the release of contaminants into the atmosphere, watercourses and onto land.

As part of our commitment to supporting long-term sustainability and to reducing our environmental impact, we source only the highest-grade, natural British limestone aggregates from an ethically responsible UK supplier.



# Important information

As with any material and any manufacturer, there are limitations of use, things you need to be aware of when installing and ways to ensure the product continues to provide enjoyment for years to come. We believe it is important for you to be aware of this information.

## Colours and Textures

Like quarried stone, Haddonstone can exhibit slight shade variations from piece to piece, reflecting the colour of the natural materials used in the production process.

Haddonstone is less susceptible to the detrimental effects of weathering, which can damage the laminated structure of quarried stone, and can be aesthetically more pleasing as it often matures and develops character much earlier.

Due to differences in manufacturing techniques, there will inevitably be variations in the surface textures and colour shades of Haddonstone, TecStone and TecLite materials.

Please note that throughout this brochure the photographs show Haddonstone pieces of various ages and stages of maturity. The special qualities of Haddonstone ensure a rapid weathering of ornamental pieces, although the speed of weathering is dependent upon location and climate.

The colours reproduced in this brochure are as accurate as the print process will permit. Stone colour samples are available on request.

## Care and Maintenance

With careful handling, Haddonstone needs no special maintenance as long as it is not exposed to extreme conditions. For example, it is recommended that in very hot weather a planter should be watered only in the early morning or cool evening. Also, in freezing conditions, fountain bowls should be emptied. To avoid harming the stone surface rock salt, proprietary de-icers or chlorine products should not be used.

## Planters - avoid staining

Haddonstone planters are suitable for acid-loving plants if used with an appropriate non-permeable liner. When planters are used in interior settings, a non-permeable liner should also be used as planters are made with drainage holes and the material has natural porosity.

Natural dyes in composts containing peat, coir or coconut husk, as well as decomposing leaves, can produce a brown staining which is very difficult to remove. Many fertilizers contain ferrous compounds that cause rust stains. Cast-in fixings and reinforcement used during production are non-ferrous, and usually stainless steel.

## Fountains

Simple precautions should be taken to avoid frost damage to fountains. Water should be drained off before winter every year and not replaced until spring when any risk of hard frost has passed.

## Positioning

It is essential that a Haddonstone design is sited on a firm and level area to suit site conditions and loadings. An 8 to 1 sand/cement bedding mortar should be used to ensure that the weight of the stone is spread evenly, avoiding any pivoting or twisting strain between stone components and between stone and floor. We cannot accept responsibility for cracking or breakage if this instruction is ignored.

## Weight

Be aware that Haddonstone designs are inherently heavy and precautions must be taken to avoid injury during lifting. Where possible, mechanical lifting is recommended and, in some instances, essential.

## Lime Bloom

Efflorescence, also known as lime bloom, may appear as a white deposit on the surface of any product containing cement or limestone. This is temporary and will disappear as a result of normal weathering, or may be carefully removed with a brick cleaning acid.

## Hairline Cracks

Under certain, exceptional conditions, a hairline crack may occur in the surface of the product - a characteristic of any material using a cementitious binder. In normal circumstances, as autogenous healing occurs, this will have no effect on the structural integrity of the piece. Autogenous healing is a natural process of repair that occurs in moist conditions when free lime within the product seals minor cracks.

## Aquatic Life

Before introducing fish of any type into a Haddonstone pool surround, please check with an aquatic specialist that it is safe to do so. Many Haddonstone pool surrounds and fountains contain a high percentage of limestone material. Whilst limestone is not toxic to fish, it can raise the water's pH level, making it unsuitable for some species.

## Haddonstone Quality Mark

The Haddonstone Quality Mark helps to authenticate designs that have been manufactured by Haddonstone. The mark is imprinted into most Home and Garden designs to validate that they are genuine Haddonstone products.

Similar marks have been used by renowned past manufacturers including Coade, Doulton and Pulham.

Weathered Haddonstone designs often sell at a premium at auction and so the Quality Mark provides reassurance of its origin.

## Five Year Warranty

Haddonstone offers a five year warranty on all cast stone garden ornaments purchased direct from the company on production of the product's original invoice or order acknowledgement. This warranty only applies in the unlikely event that a product fails, due to a design or production fault. This warranty does not apply if Haddonstone assembly recommendations have not been followed or if a problem arises as a consequence of the actions of the client or a third party. Contact our team for the full terms of this warranty which does not affect your statutory rights.

## Updates

The illustrations, technical information and data contained in this brochure, to Haddonstone's best knowledge, were correct at the time of going to print. The right to change specifications at any time, without notice, is reserved as part of a policy of continuous development and improvement.





## Explore our inspirational Show Gardens

There's no better way to view our beautiful collection, than by visiting our stunning Northamptonshire Show Gardens. Located in picturesque rolling countryside, our Show Gardens feature many of our Home and Garden designs, all displayed in a beautiful setting. Our fireplace and memorial ranges are also available to view.

Our Show Gardens are open weekdays and on the first Saturday during many of the spring and summer months.

Details can be found at [haddonstone.com](https://www.haddonstone.com)



## Haddonstone worldwide

Haddonstone USA opened in Colorado in 1996, comprising a head office and purpose-built manufactory.

Additionally, we have representation across North America, Europe, the Middle East, the Far East and Australasia through a group of international stockists and distributors.

Our UK-based Export team manages all of our international activities and can provide dedicated technical assistance, quotation and sales support.

For our overseas clients, our in-house packing and crating facilities, as well as the use of selected freight forwarders means the safe delivery of our designs to any country.





# Ready to inspire



Visit our **website** to order from our Home and Garden collection and browse our Building and Construction Range.



Find advice, inspiration and helpful guides in our weekly **blog**.



Download **Technical Sheets** and product **Assembly Instructions**.



You'll also find plenty of inspiration by following us on **LinkedIn, X, Instagram, Facebook** and **Pinterest**.



Watch our library of useful videos on **YouTube**, featuring 'how to' guides and behind the scenes inspiration.



# Index

Balls and Bases	66	Materials	170
Balustrade	164 - 165	Obelisks	112 - 113
Belvedere	163	Orangeries	158
Birds Baths and Bird Tables	72 - 73	Orangery Flooring	169
Blanc de Bieres Paving	169	Parapet Screening	167
Brackets	147	Pavilions	160
<b>Building and Construction</b>	<b>132 - 169</b>	Paving	169
Bull's Eye Window Surrounds	145	Pedestals and Plinths	44 - 47
Busts and Statues	48 - 61	Pergolas	161
Capitals	150 - 152	Personalised Engraving	116 - 120
Centrepiece Fountains	78 - 83	Pier Caps	138 - 139
Columns	150 - 152	Pilasters	150
Copings	136 - 137	Planters - Contemporary	34 - 39
Colours	172	Planters - Traditional	10 - 32
Corbels	147	Plaques	104 - 106
Door Surrounds	156 - 157	Plinth Courses	148
Façade Stonework	147 - 157	Pool Surrounds	84 - 89
Follies	162	Porticos	154
Finials	62 - 65	Quoins	147
Fireplaces and Interiors	124 - 128	Robert A.M. Stern Collection	40 - 43
Gable Vents	147	Roundels, Plaques and Date Stones	142 - 143
Garden Buildings	158 - 163	Self Contained Fountains	92 - 97
Garden Cremation Memorials	122 - 123	Show Gardens	178 - 179
Garden Decor and Accents	110	Sir John Soane's Museum	47, 52, 53, 102, 104, 105
Garden Furniture	74 - 77	Spiral Balustrade	166
Garden Lighting	90	Spiral Staircase	168
Garden Pet Memorials	123	Stepping Stones	109
Gate Piers	140	Steps	168
GIBBS Range of Classical Porches	155	String Courses	149
Gift Vouchers	130	Sundials	68 - 70
Haddonstone Worldwide	180	Temples	159
<b>Home and Garden</b>	<b>8 - 128</b>	Wall Dressings	136 - 143
Hood Moulds	145	Wall Fountains	98 - 103
Important Information	176 - 177	Window Cills	144
Keystones	145	Window Dressings	144 - 146
Lawn Edging	108 - 109	Window Heads	144
Masonry Weathering Tint	114	Window Surrounds	146

Copyright © 2024 Haddonstone Ltd. All rights reserved. Except as allowed by law, no part of this publication may be reproduced in any form without the written permission of Haddonstone Ltd.

Please note also that much of Haddonstone's garden and architectural stonework, related Tech Sheets and computer programs are subject to registered design, copyright and similar proprietary protections under the laws of various jurisdictions. No designs contained in this brochure, or supplied by Haddonstone, should be copied or modified without first consulting the company in writing for permission. Violators of such proprietary rights are subject to severe civil and criminal penalties under law.

The terms "HADDONSTONE", "TECSTONE", "HADDON-TECSTONE", "TECCAST", "TECLITE", "STONEAGE", "HADDONCRAFT" and "ARCADIAN" and the stylised forms of these terms are, and in certain instances are registered as, trademarks and service marks of Haddonstone Ltd.



# Let's talk

Wir beraten Sie persönlich -Kontaktieren Sie uns!

Haben Sie Fragen zu den Produkten oder benötigen Sie eine individuelle Beratung?  
Wir als Vertriebspartner stehen Ihnen gerne zur Seite, um Sie bei der Auswahl der richtigen Produkte zu unterstützen und maßgeschneiderte Lösungen zu finden.

Kontaktieren Sie uns noch heute:

+43 316 90 2000  
info@britishgarden.at  
www.britishgarden.eu

Besuchen Sie uns vor Ort oder rufen Sie uns an – wir freuen uns darauf,  
Sie persönlich zu beraten und Sie bei Ihrem Projekt zu unterstützen!



British Garden  
Gartenbedarf aus Großbritannien e.U.  
Josef-Kölbl-Weg 3  
8073 Feldkirchen bei Graz, Austria



**HADDONSTONE**

Haddonstone Ltd  
The Forge House, East Haddon,  
Northampton NN6 8DB England  
**haddonstone.com**